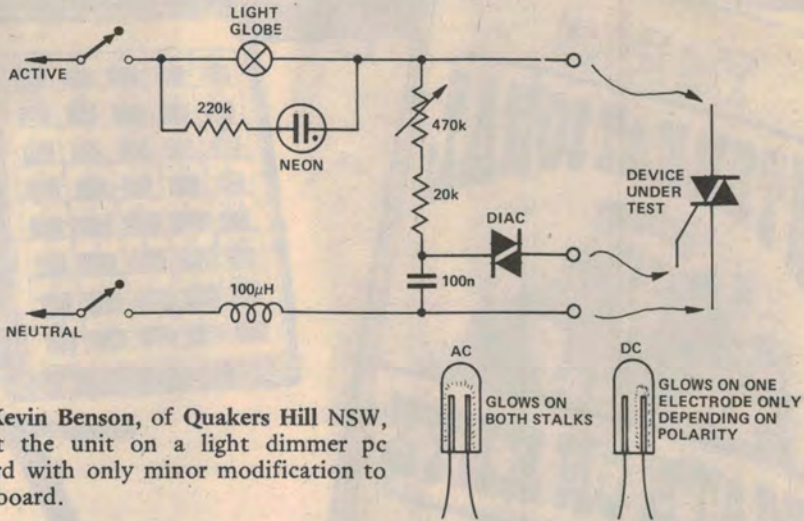


Triac tester

This circuit was made to fill a need to quickly test triacs under a light load. By observing the neon it is possible to tell whether ac or dc is flowing through the light-globe. The device to be tested is connected to the circuit with clip leads and the 470k potentiometer advanced until the globe lights. If the neon glows on both stalks the globe is fed with ac and the triac is working properly. If one stalk only glows, one cycle of the waveform is passing through the globe signifying a fault with one junction of the triac. Of course, if it doesn't glow at all and the light is not lit, the triac is completely faulty.



Kevin Benson, of Quakers Hill NSW, built the unit on a light dimmer pc board with only minor modification to the board.