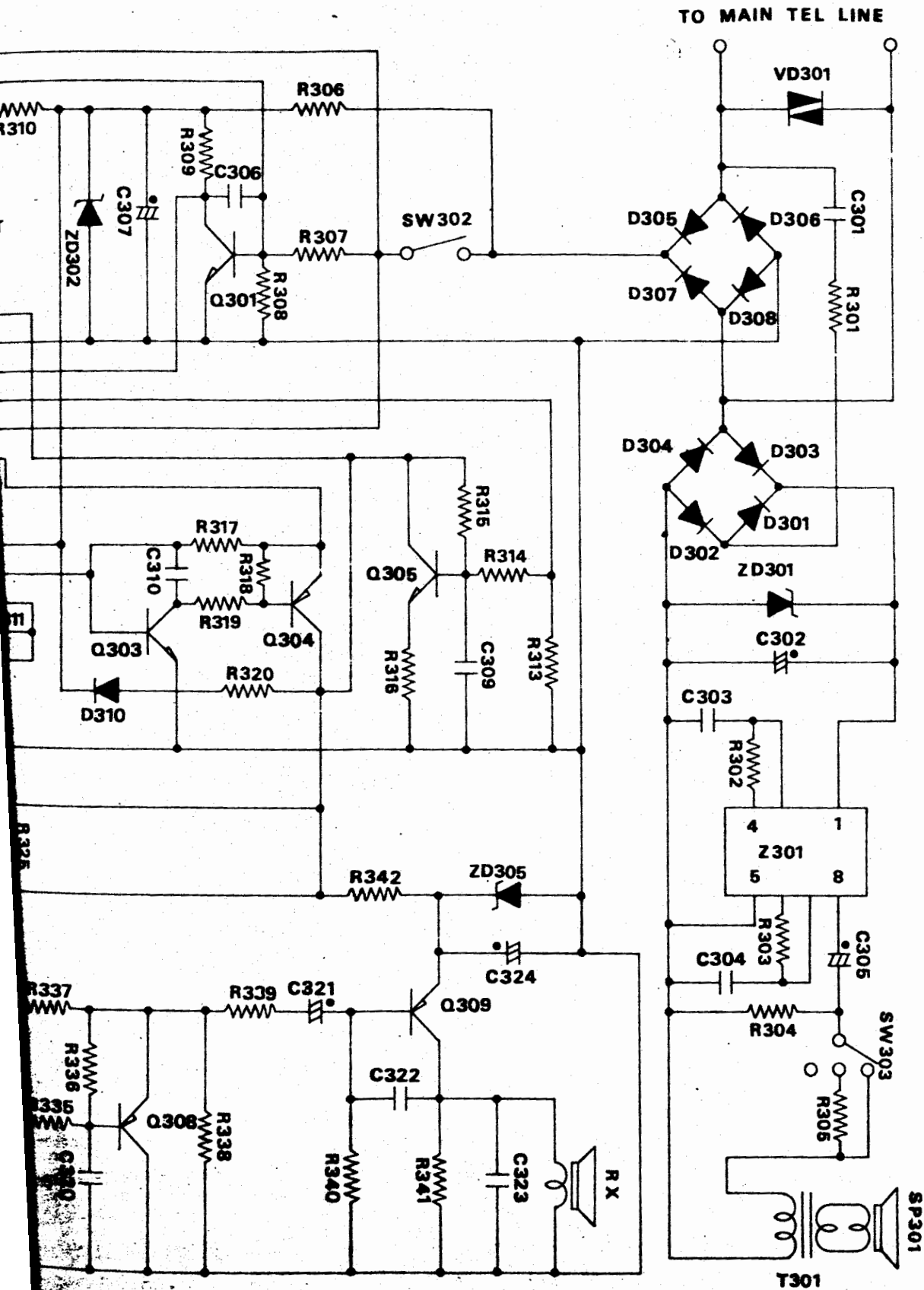
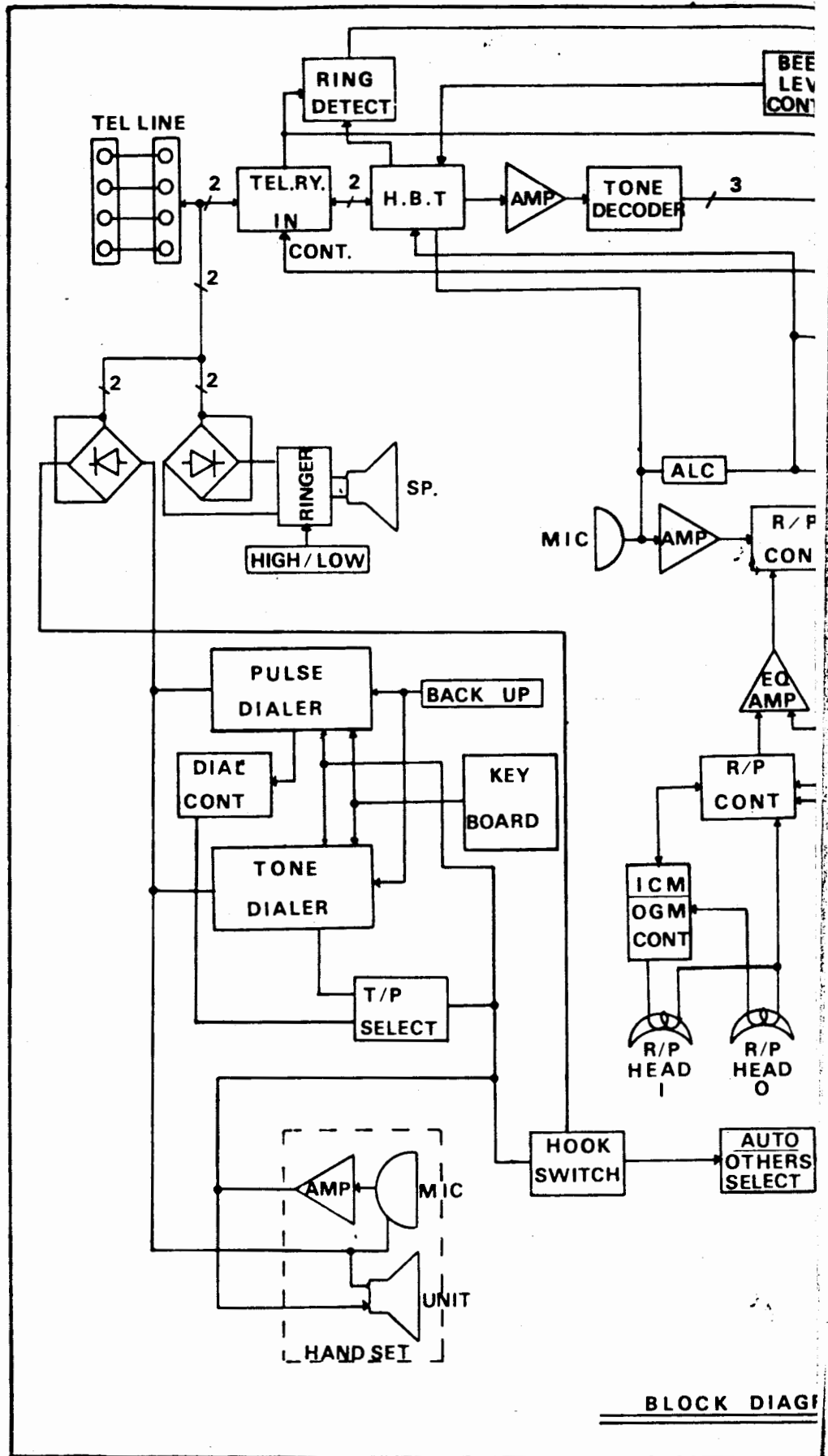


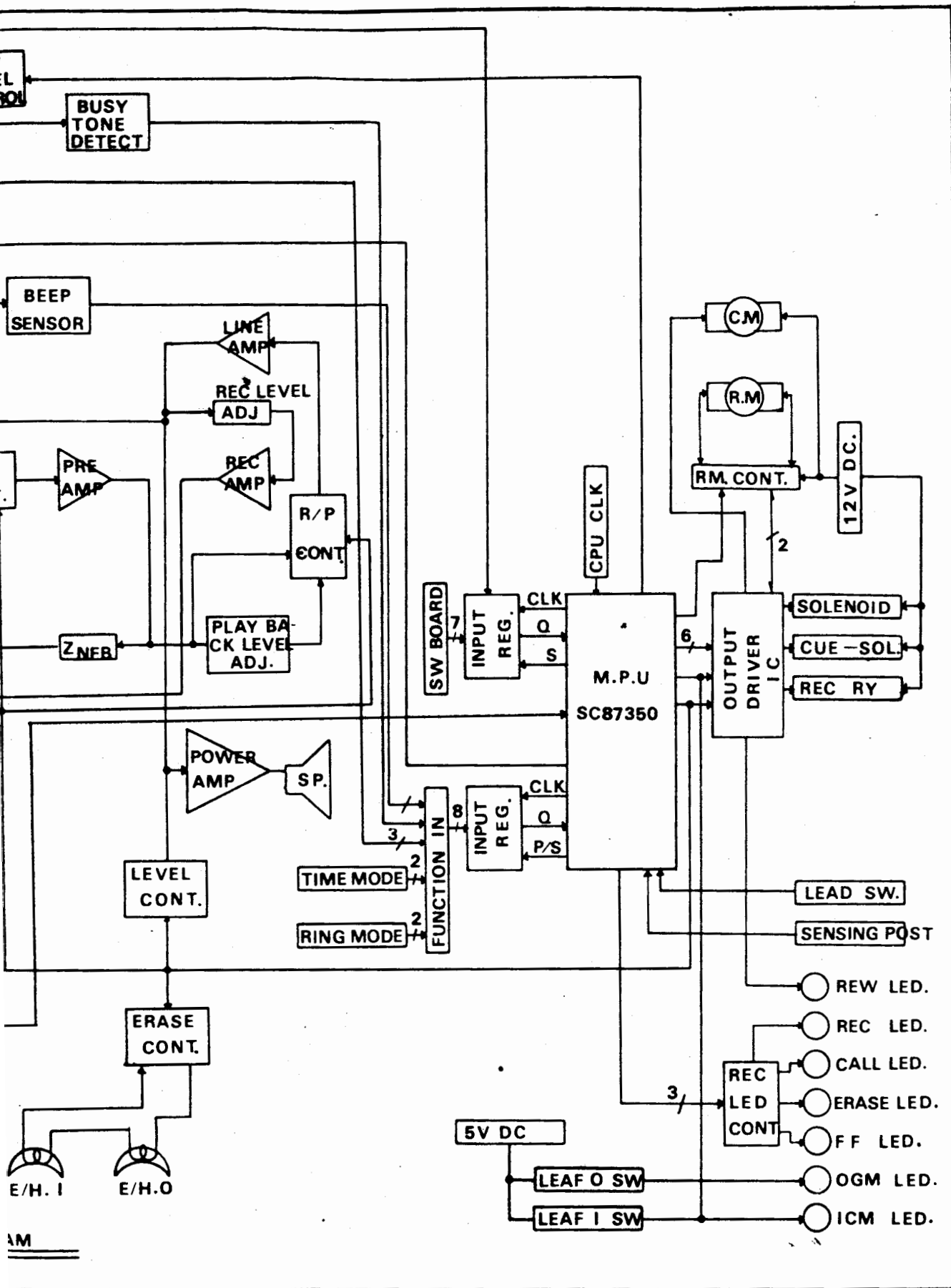


# SCHEMATIC DIAGRAM





**BLOCK DIAGRAM**



AM



