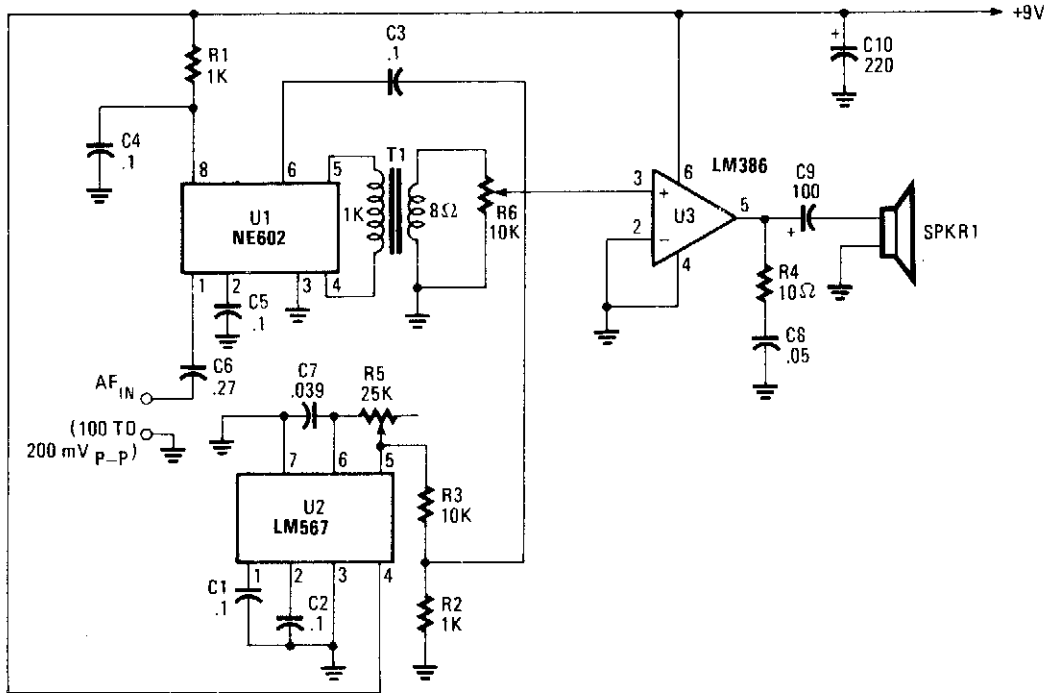


## VOICE SCRAMBLER/DESCRAMBLER



POPULAR ELECTRONICS

Fig. 6-1

This circuit uses an NE602 as an inversion mixer. U2 is set to run at about 2.5 to 3.5 kHz. U3 drives a loudspeaker. Because speech inversion scrambling is its own inverse, the circuit will also descramble.