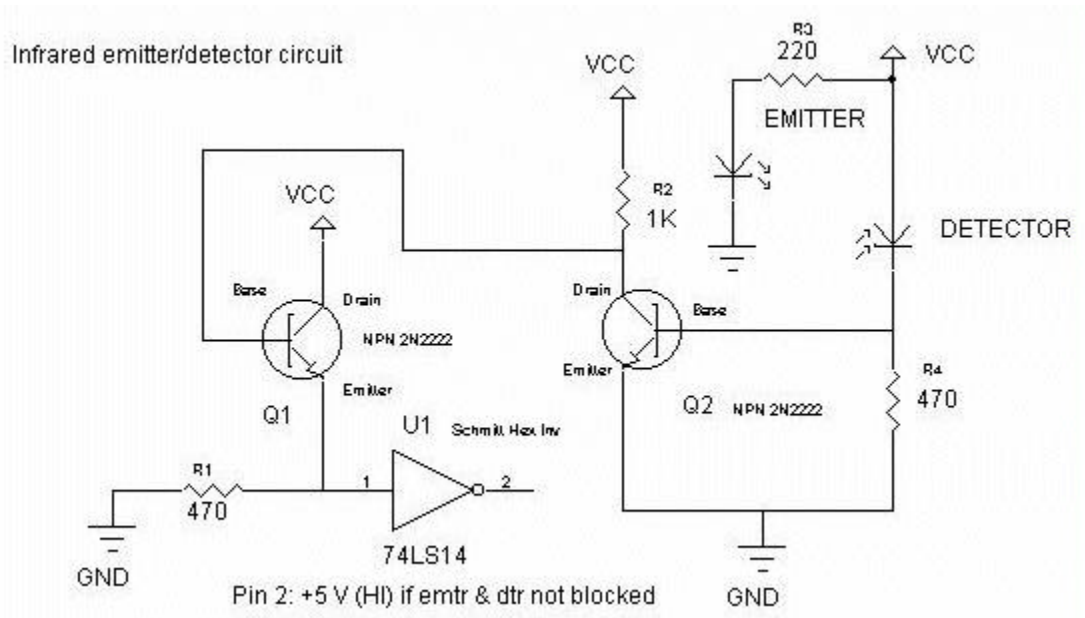


Circuit Name.	Infrared Transmitter / Decoder	Disclaimer



Parts List:

Component:	Value:	Datasheet:	Qty:
Resistor	470	Not Available	02
Resistor	220	Not Available	01
Resistor	1K	Not Available	01
Transistor	2N2222	Available	02
IC	74LS14	Available	01

- Infrared (IR) Emitter Radio Shack #276-1431.691
- Infrared Phototransistor Radio Shack #276-1450.9991
- 74LS14 Hex Inverting Trigger Radio Shack #276-28080.891
- NPN 2N2222 (or MPS2222A) Transistor Radio Shack #276-20090.592

