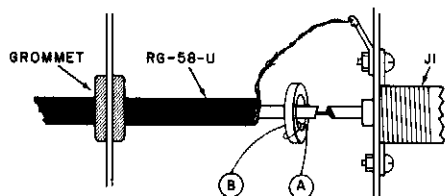
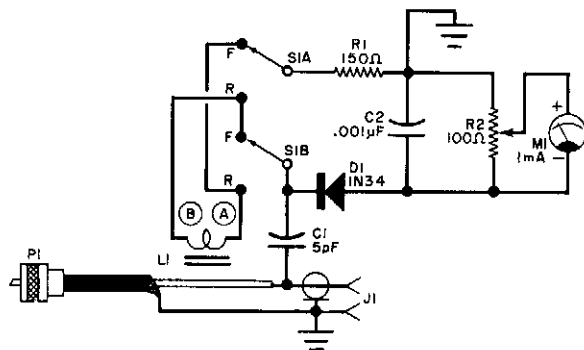


SENSITIVE SWR METER



Reflected Meter Reading (% of full scale)	SWR
0	1:1
10	1.22:1
20	1.5:1
30	1.85:1
33.5	2:1
40	2.33:1
50	3:1
60	4:1
66.67	5:1
70	5.66:1
80	9:1
90	19:1
100	∞ :1

POPULAR ELECTRONICS

Fig. 46-6

Using a toroidal pickup coil around the center conductor of a coaxial cable, this circuit can be used to measure the SWR of an antenna. L1 is two turns #26 enamelled wire on a Fair-Rite 5963000301 toroidal core.