

85 An audio booster for your hand-held

Introduction

The audio output from many hand-held transceivers and receivers usually leaves much to be desired, so this little amplifier was designed to increase the output at minimal expense.

All that is needed is a separate amplifier and bigger loudspeaker. This is accomplished using a single integrated circuit (IC), a few components, and a loudspeaker from the junk box. This circuit will enable the output from your hand-held to be heard easily in a car.

The circuit

This is shown in **Figure 1**. It uses only those components necessary to operate the IC amplifier. VR1 is the preset volume control, and varies the signal coming from the 'External speaker' jack on the hand-held before feeding it into the IC for amplification. C1 blocks any constant voltage present on the input.

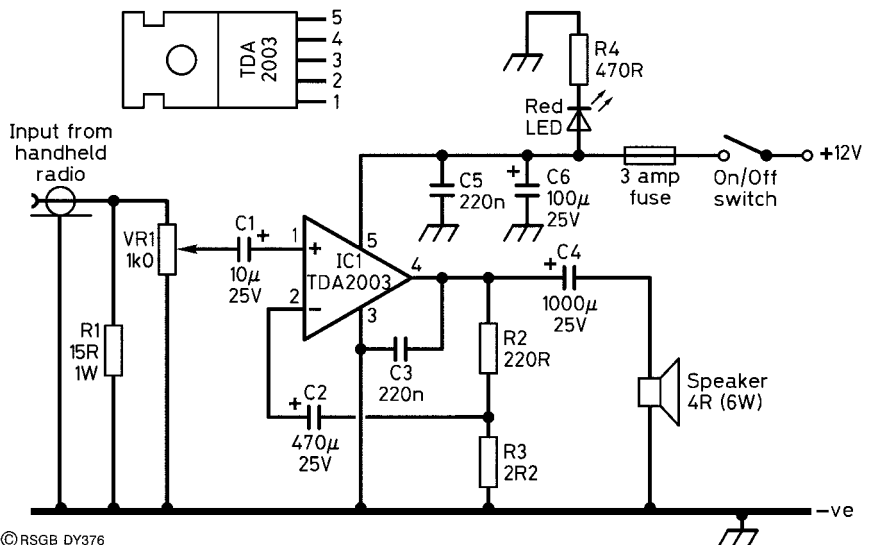


Figure 1 Circuit diagram of the audio amplifier. The power is derived from the cigarette lighter socket and the fuse is in-line with the lead

© RSGB DY376

The IC output comes from pin 4 and is fed via the electrolytic capacitor, C4, to the loudspeaker. The circuit is provided with an on/off switch, fuse and LED to indicate when the circuit is switched on.

Construction

The box is made of aluminium. This is necessary to help to dissipate some of the heat generated by the IC. Do not build the circuit inside a plastic box unless you take special precautions! The IC has a metal mounting tab with a hole, specifically designed to be mounted to a metal box or other metal heat sink. Apply plenty of heat sink compound between the tab and the box, tighten the nut and bolt, and then wipe off any excess compound. The box will get slightly warm in operation.

The size of the box is not specified. You may want to decide on this when you find a loudspeaker. Choose one which will be able to handle 6 W

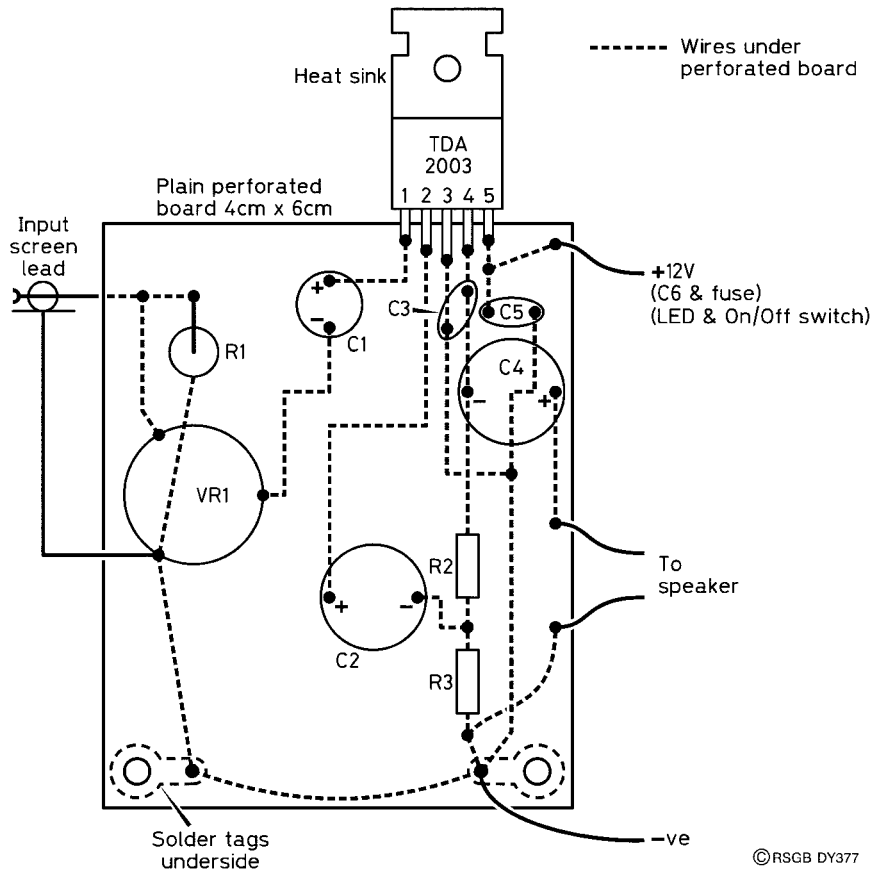


Figure 2 Layout of the components within the box

output. Drill all the holes in the box first. Holes for the speaker, input phono socket and the LED. The amplifier can be constructed on ordinary matrix board, which can be mounted inside the box with screws and spacers.

The layout is shown, for your guidance, in **Figure 2**. The components are mounted by pushing their leads through the holes in the board and making connections on the underside. The preset volume control, VR1, is set such that the hand-held's volume control is sufficient to control the final output over a good volume range. Use a screened lead from the 'External speaker' jack socket to the phono plug.

An external power supply is needed for this circuit. The normal dry battery which we usually use for small projects in this book will *not* work here, so you will need a proper mains power supply producing a stabilised 12 V. If you are going to use the unit principally in a car, then the cigar lighter socket can supply this voltage easily. Do make sure that the polarity is correct before you switch on!

When you plug the jack plug from your booster into the 'External speaker' socket on your hand-held, its internal speaker will be muted, so don't think that something dire has gone wrong! Adjust VR1 for a good volume range on your booster, when the volume control is turned on the hand-held.

Parts list

Resistors: all 0.25 W, 5% tolerance, unless otherwise stated

R1	15 ohms (15 Ω) 1 W
R2	220 ohms (220 Ω)
R3	2.2 ohms (2.2 Ω)
R4	470 ohms (470 Ω)
VR1	1000 ohms (1k Ω)

Capacitors

C1	10 μ F 25 V
C2	470 μ F 25 V
C3, C5	220 nF (0.22 μ F) Mylar
C4	1000 μ F 25 V
C6	100 μ F 25 V

Semiconductor

LED	5 mm Red
-----	----------

Integrated circuit

IC1	TDA2003
-----	---------

Additional items

Heat sink compound

Nuts and bolts

Loudspeaker 4Ω $6 W$

3 A fuse

On/off switch (SPST)

Matrix board 4×6 cm

Solder tags

Plugs and screened cable for connecting lead

Aluminium box