

61 An audio filter for CW

Introduction

This is a simple passive circuit (it has no power supply) that adds some audio selectivity for Morse code reception and also includes a very simple noise limiter that gives a visual indication of when noise spikes are being removed!

The circuit

Figure 1 shows the complete circuit. The tuned circuit of C1 and L1 resonates very close to 800 Hz, so initially you will have to tune a signal in carefully until it sounds loudest – you will soon be able to do this without thinking. The two LEDs connected back to back across the signal path act as a noise limiter, reducing the amplitudes of static crashes and noise from car ignition systems, etc. The LEDs blink when they conduct – this is not necessary to the operation of the circuit, but adds a little colour to your listening! The noise limiter *does* make listening more comfortable, though.

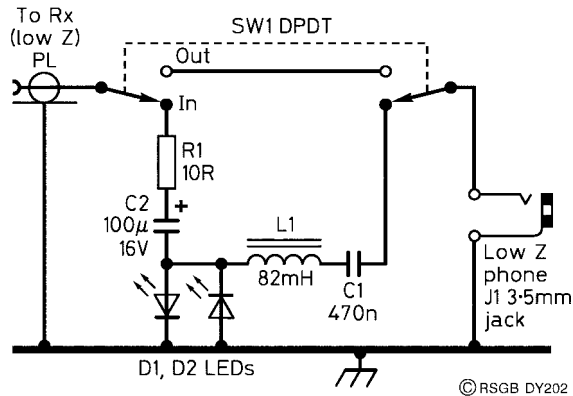


Figure 1 CW filter, circuit diagram

Construction

The circuit layout is shown in Figure 2. Point-to-point wiring is used, with a small tag-strip being the only item used for the extra support of C2 and R1. The LEDs and SW1 support the other components. An aluminium box (Figure 3) is used to make the circuit tidy and usable.

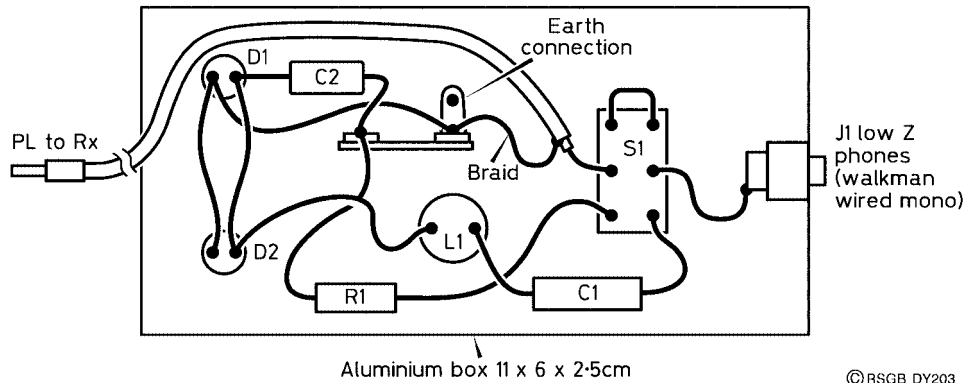


Figure 2 CW filter, component layout

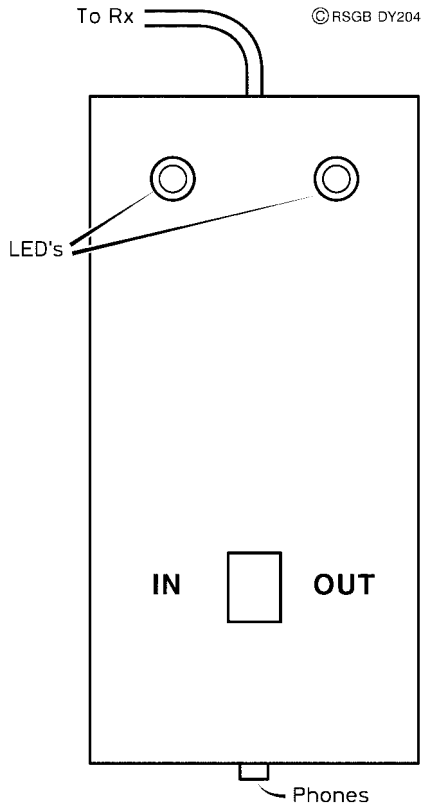


Figure 3 CW filter, front panel

You must use low-impedance headphones for the circuit to perform properly. Plug the completed unit into the headphone socket of your receiver and adjust the volume so that the LEDs are just *not* blinking on normal audio. The unit should be switched out of circuit for speech listening; this is the purpose of the toggle switch, SW1.

Parts list

Resistor

R1 10 ohms (Ω), 0.25 watt, 10% tolerance

Capacitors

C1 470 nanofarads (nF)

C2 100 microfarads (μ F) electrolytic, 16V WKG

Inductor

L1 82 millihenries (mH)

Semiconductors

D1, D2 LEDs

Additional items

SW1 DPDT

J1 3.5 mm jack socket

PL Jack plug to suit receiver

Aluminium box, approx. 11 by 6 by 2.5 cm

Source

Components are available from Maplin.