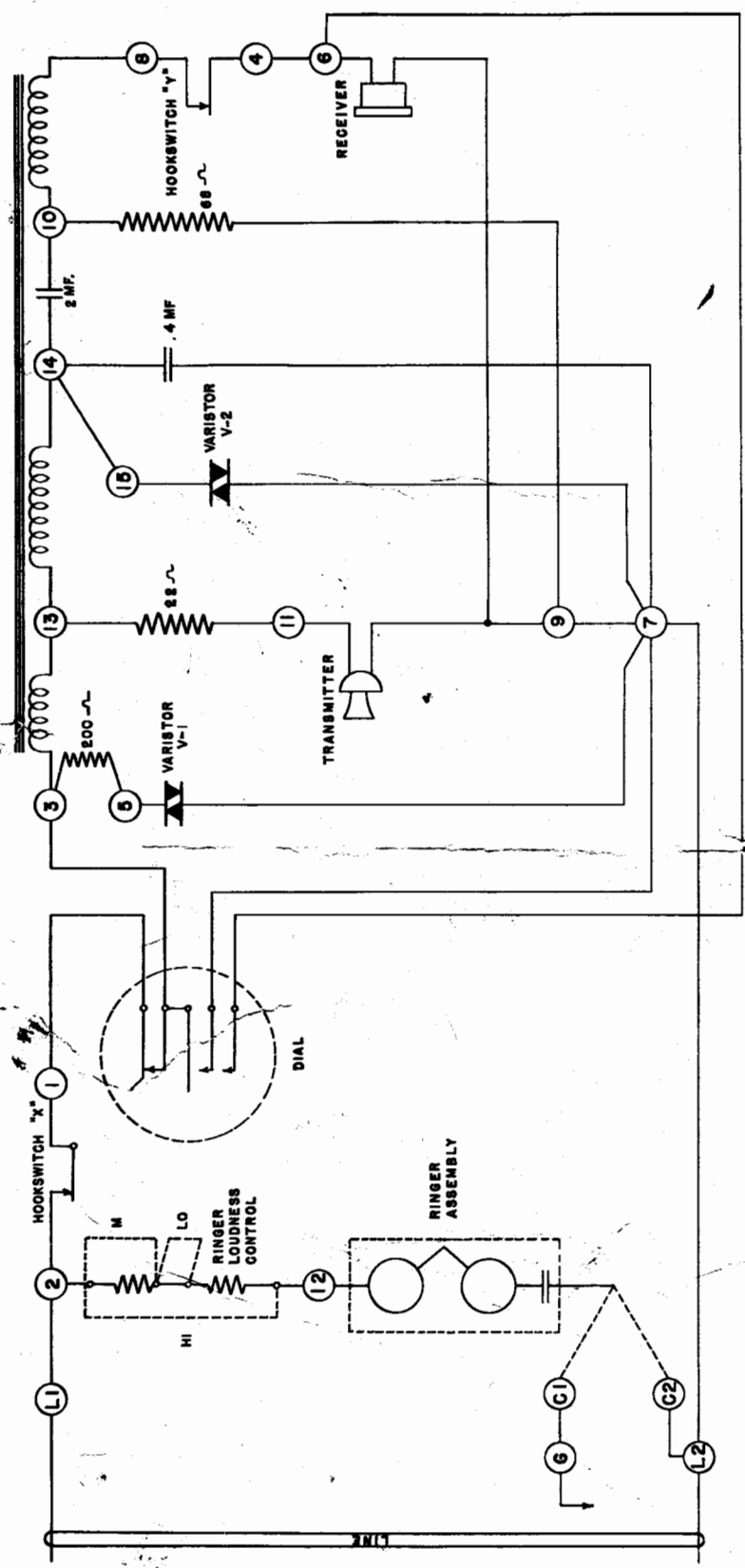


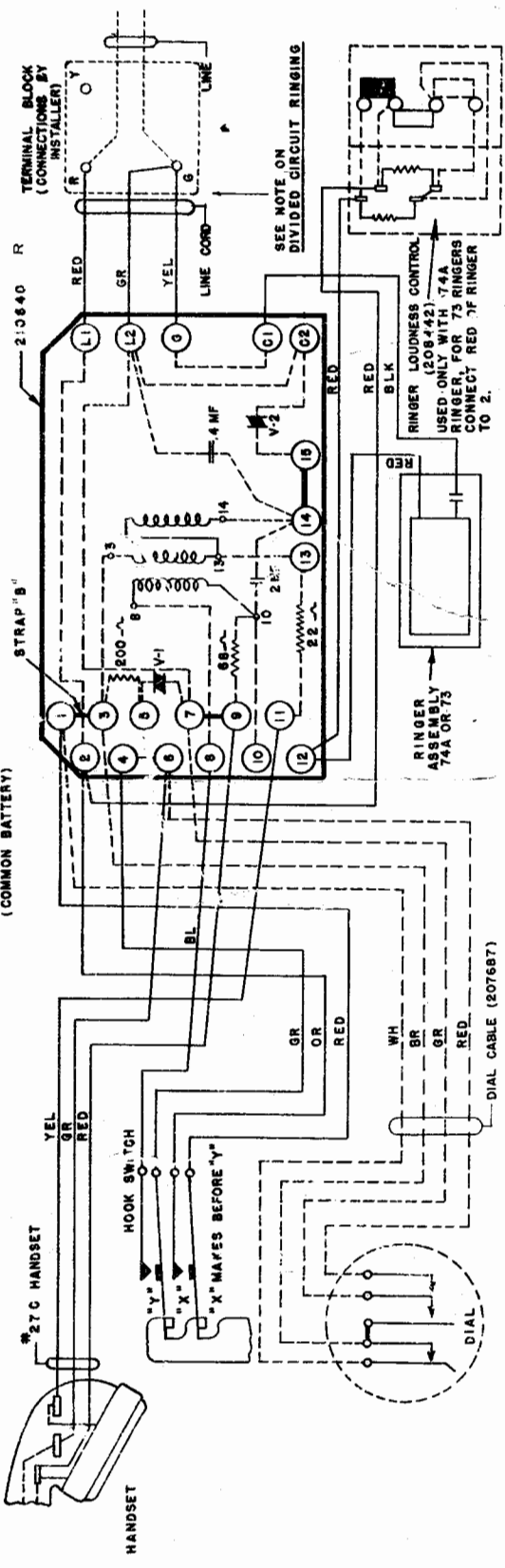
# STROMBERG - CARLSON CO. SCHEMATIC CIRCUIT FOR 1543W TELEPHONE WITH STANDARD DIAL



SEE REVERSE SIDE FOR WIRING DIAGRAM

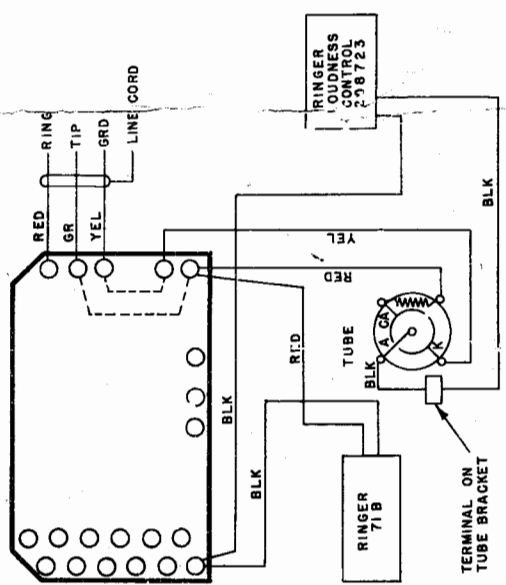
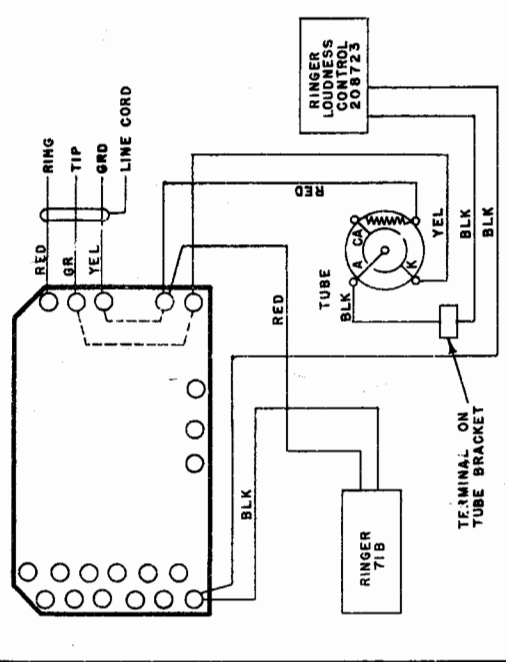
# STROMBERG-CARLSON CO. WIRING AND CONNECTIONS FOR BRIDGED RINGING FOR 1543W TELEPHONES

RINGER CODES 74A, 73E, F, G, H, N, K, L, M, P, R, J, I, J, B, Q  
(COMMON BATTERY)



## DIVIDED RINGING, PLUS AND MINUS RINGER SELECTION USING 372A, 333A OR 426A TUBES

CONNECTIONS FOR + TIP STATION. FOR + RING STATION CONNECT TUBE AND RINGER LEADS AS SHOWN BUT CONNECT RING OF LINE TO L-2 AND TIP OF LINE TO L-1.



## DIVIDED CIRCUIT RINGING

PART	CONNECTIONS AT TERMINAL BLOCK
RING	R G Y
TIP	R G Y
GRD	R G Y
LINE CORD	R G Y

## TAPPING OF GONGS

IN BRIDGED RINGING WHERE IT IS NECESSARY TO PREVENT TAPPING OF GONGS ON BIASED RINGERS WHILE DIALING, POSITIVE BATTERY SHOULD BE CONNECTED TO L-2 AND THE BIAS SPRING TENSION ADJUSTED AS REQUIRED.

## MANUAL TO DIAL CONVERSION

REMOVE STRAP 'B' AND WIRE DIAL CABLE AS SHOWN BY DOTTED LINES FOR STANDARD AND SPOTTER DIALS. FOR SPOTTER DIALS ALSO USE STRAP 212048 CONNECTING SPOTTER CONTACT ON DIAL TO C1.

## RINGER LOUDNESS CONTROL

FOR BIASED RINGERS, ADJUST THE BIAS SPRING TENSION TO THE MAXIMUM VALUE THAT WILL YIELD A SILENT RINGING AT ALL THREE POSITIONS. A 50 MFD 50V RINGING CONTROL. ADJUST THE GONG SEPARATION AS REQUIRED TO OBTAIN A SATISFACTORY RINGING AT ALL THREE POSITIONS OF THE BIAS SPRING CONTROL. THE LOUDNESS CONTROL PARTY LINES A SATISFACTORY RINGING MAY NOT RESULT WITH THE LOUDNESS CONTROL SWITCH SET AT 'LO'. THE CONTROL THEN MUST BE WIRED OUT BY MOVING RED RINGER LEAD TO TERMINAL 2.