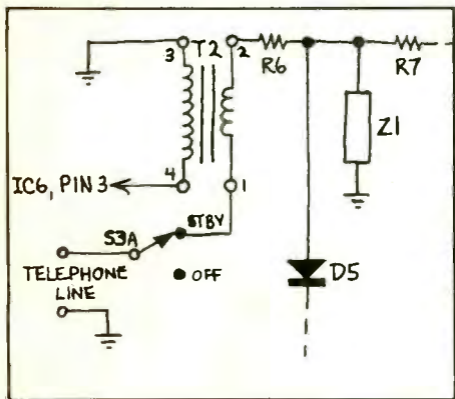


AnswerMate Replies

- The schematic diagram of my "AnswerMate" (Fig. 1) in the April issue has some errors in the vicinity of the telephone line input circuit.



Enclosed is a correct drawing of the circuit. The wiring diagram of Fig. 6 is ok, except that polarity of LED 2 (answer) is shown reversed from what it should be. As far as I can tell the printed-circuit layout of Fig. 4 is correct.

Tony Caristi