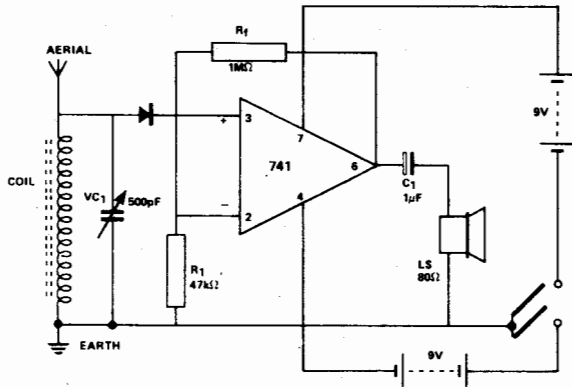


OP-AMP RADIO RECEIVER



The figure shows how to wire an op-amp so that it amplifies the voltage generated across a tuned circuit in order for the circuit to operate as a simple radio receiver. The '741' op-amp is suitable.

Note that the signal is applied to the non-inverting input of the op-amp so that good selectivity is provided due to the high input impedance of this connection which provides negligible loading of the tuned circuit.

A 2000 ohm earpiece may be used directly at the output of the op-amp but, as shown, an 80 ohm speaker can be driven via a capacitor whose value should be selected for optimum results.

Should the signal suffer from distortion, this may be due to high frequency noise generated by the op-amp and can be cured by connecting a 470pF capacitor across the feedback resistor R_f . The values of the components are not critical.