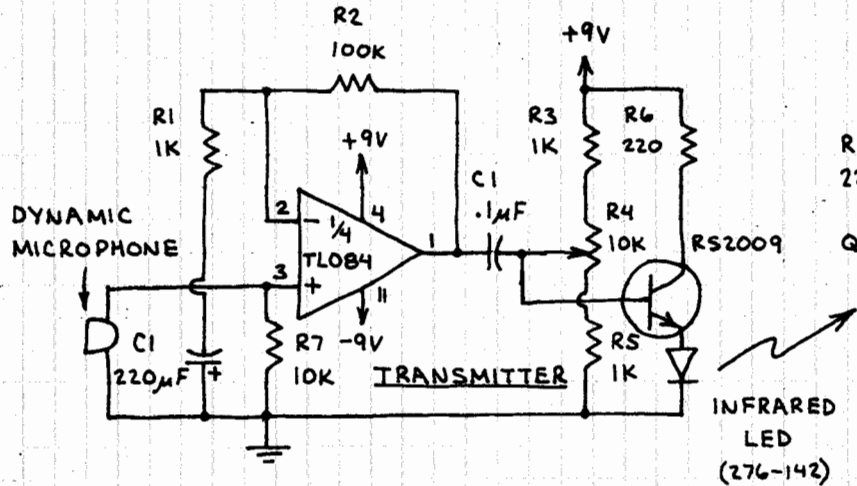
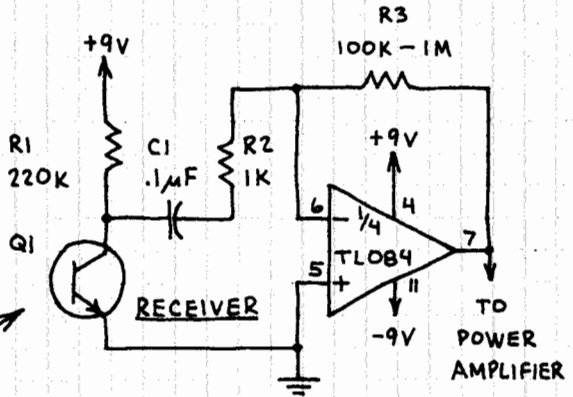


INFRARED VOICE COMMUNICATOR



POINT THE LED AT Q1 AND ADJUST R4 UNTIL BEST VOICE QUALITY IS OBTAINED. (R4 APPLIES PREBIAS TO LED.) R6 LIMITS MAXIMUM LED CURRENT TO A SAFE 40 mA.



USE RADIO SHACK 276-130 PHOTOTRANSISTOR FOR Q1. MAXIMUM RANGE: HUNDREDS OF FEET AT NIGHT WITH LENSES AT Q1 AND LED. POWER AMP: SEE LM386.