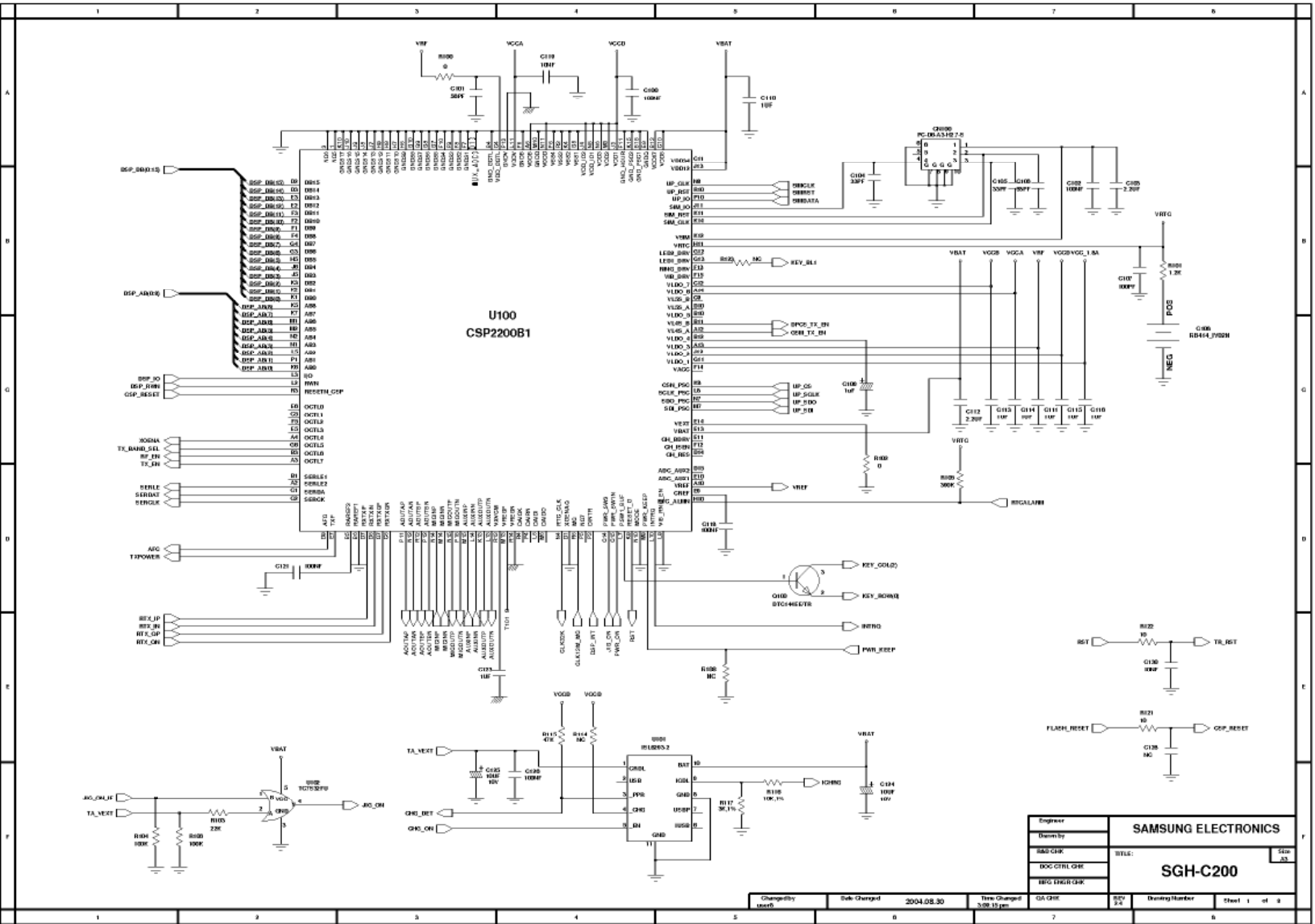
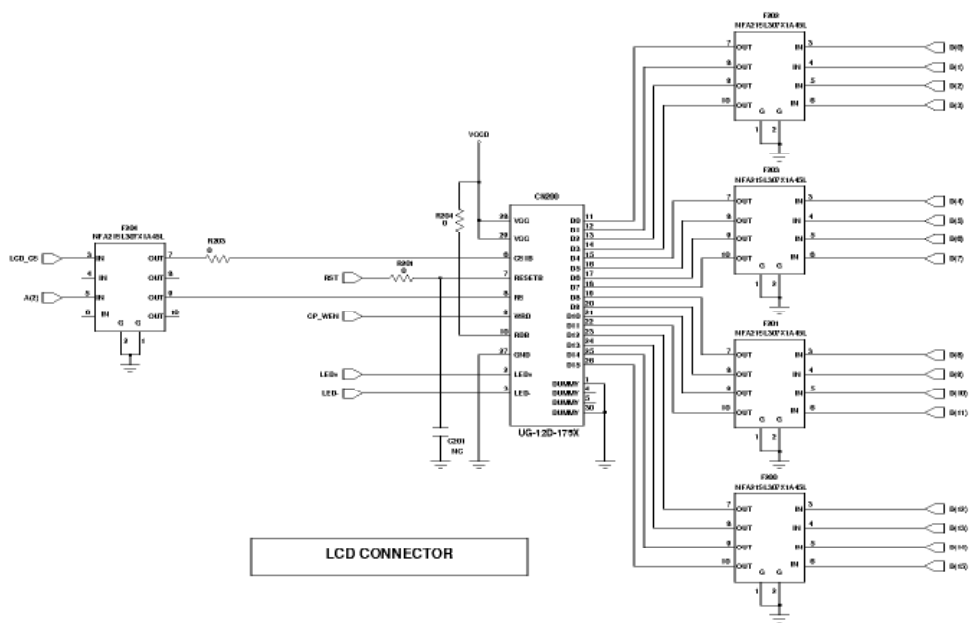


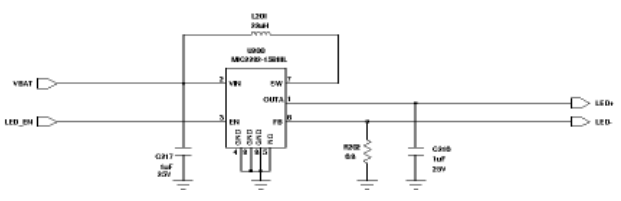
NC5	NC6	NC7	NC8	NC9	NC10	CND1	NC11	NC12	NC13	SPK4	SPK	MC4	MC	W04	NC16
TPST	TDG	TD1	TNS	TCK	T_ME	7B4T	GD	HP_PRR	RK	TX	MC1	MC2	MC3	MC4	J_ANT



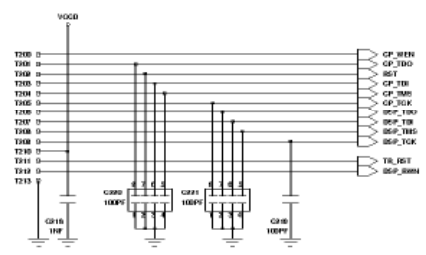
Engineer	SAMSUNG ELECTRONICS							
Design By								
S&D CHK	TITLE:							
DOC CTRL CHK	SGH-C200							
INFO ENG/GR								
Changed By	Sub-Changed	2004.08.30	Time Changed	09:15pm	QA CHK	REV	Design Number	Sheet 1 of 3



LCD CONNECTOR



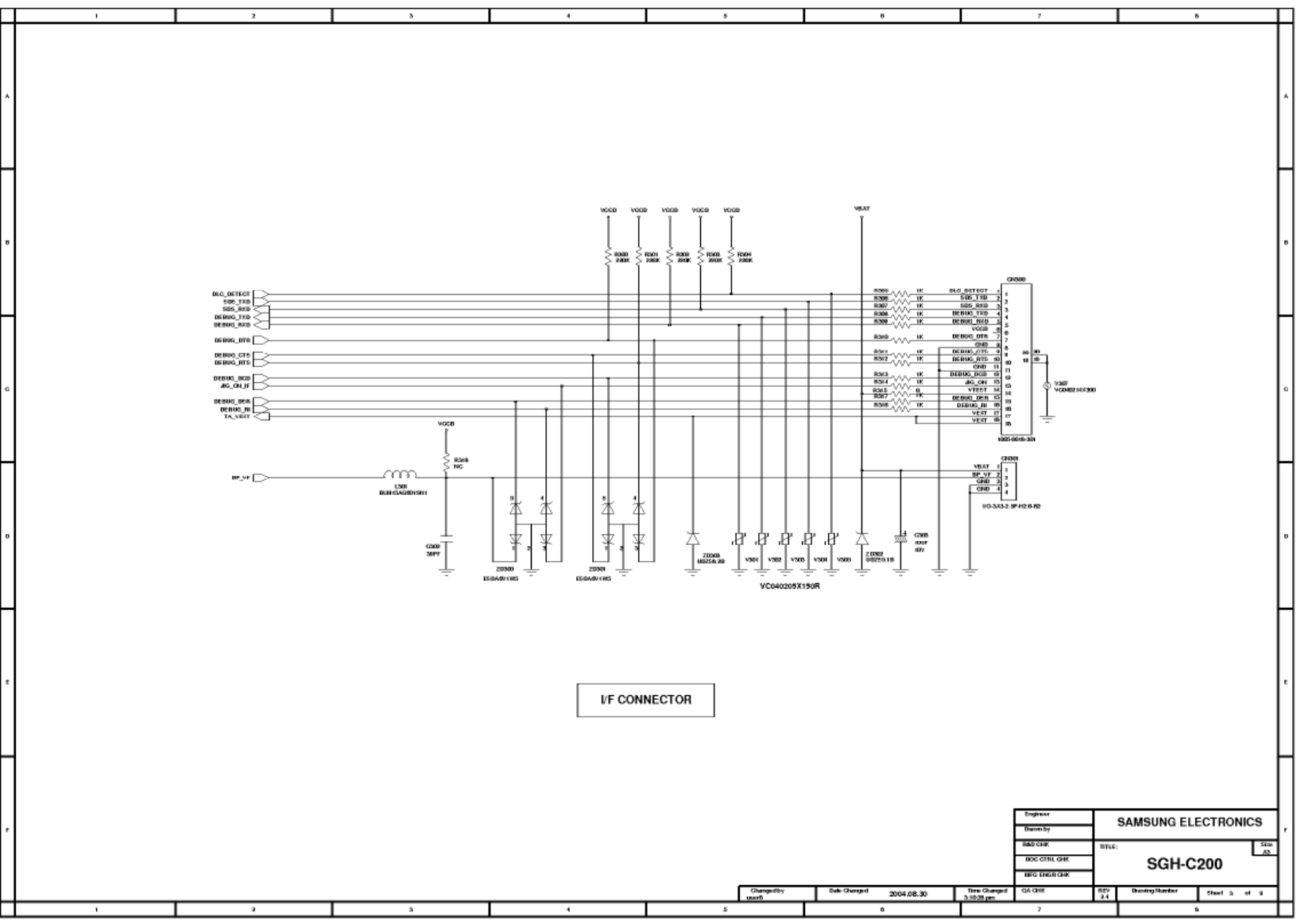
LCD BACKLIGHT



JTAG CON

Engineer	SAMSUNG ELECTRONICS
Desig. by	
DOC CTRL. QWE	
INFO ENG. QWE	
TITLE:	SGH-C200
REV: 2.4	Doc. No. 32

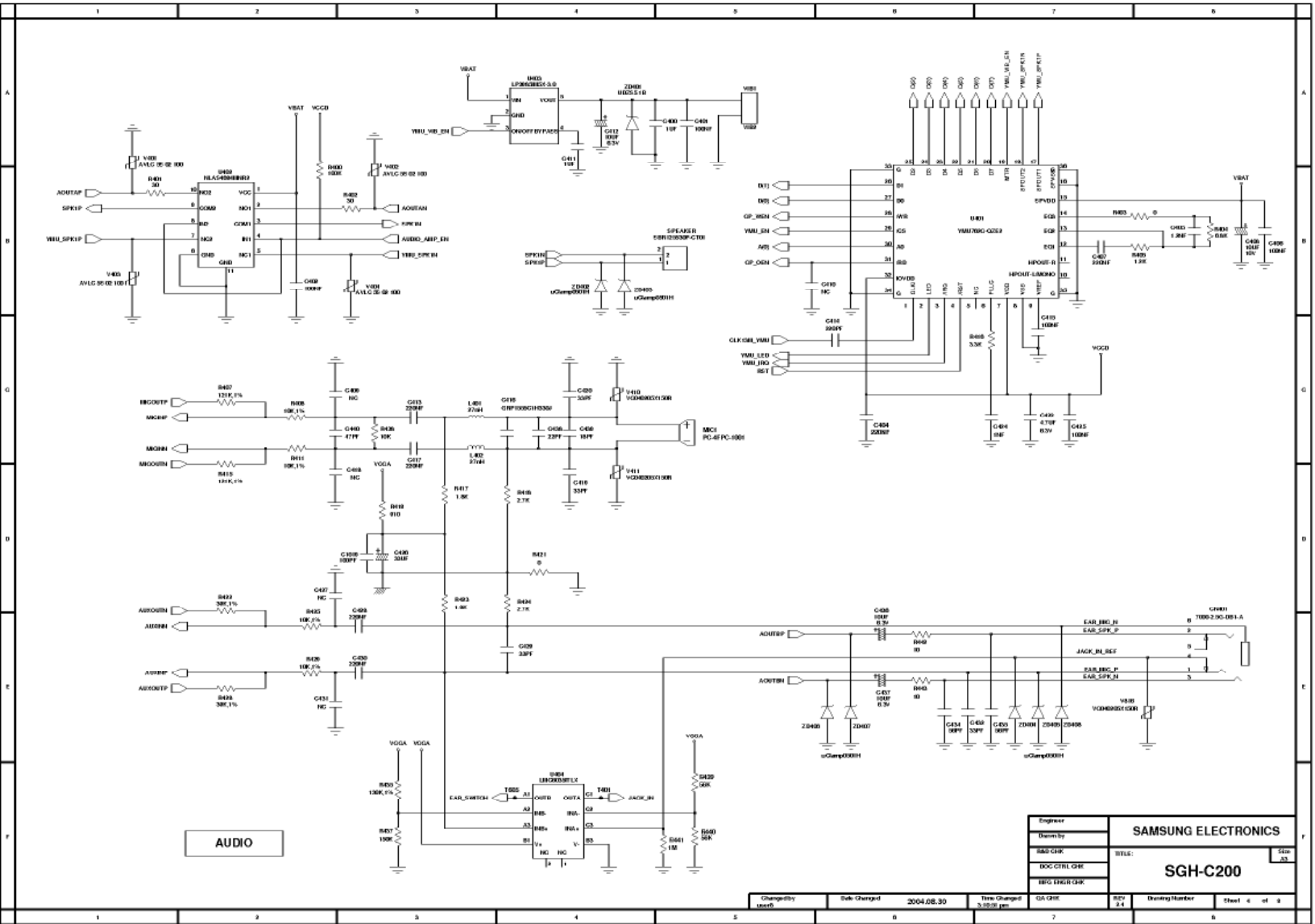
Changed by: user6	Date Changed: 2004.08.30	Time Changed: 3:09:31 pm	QA CHK:	REV: 2.4	Drawing Number:	Sheet 2 of 2
-------------------	--------------------------	--------------------------	---------	----------	-----------------	--------------



I/F CONNECTOR

Engineer	SAMSUNG ELECTRONICS
Drawn by	
APP-CHK	TITLE
DOC-CTRL-CHK	SGH-C200
INFO-ENG-CHK	Rev 2.1

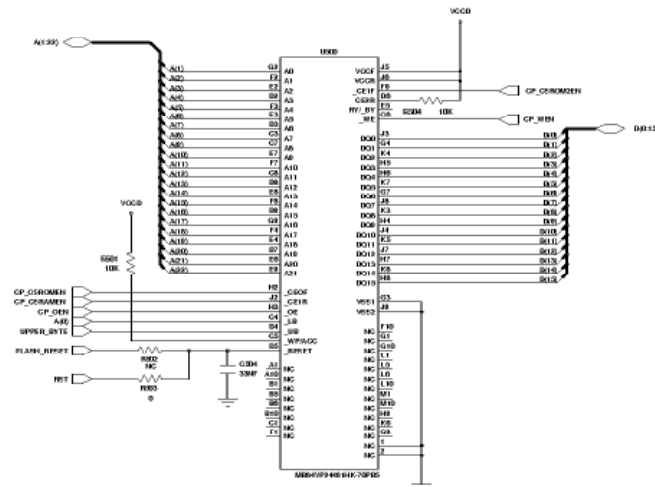
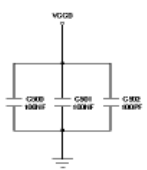
Changed by: [unclear]	Date: 2004.08.30	Time: 3:02:28 pm	Doc. No.:	Rev: 2.1	Drawing Number:	Sheet: 3 of 3
-----------------------	------------------	------------------	-----------	----------	-----------------	---------------



AUDIO

Engineer	SAMSUNG ELECTRONICS	Rev. 32
Designer		
RDG CDR		
DOC CTRL CDR		
INFO ENG CDR	SGH-C200	

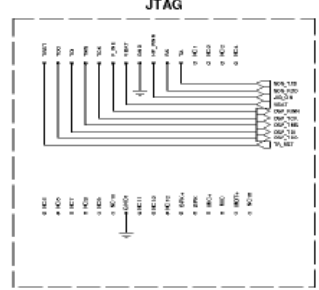
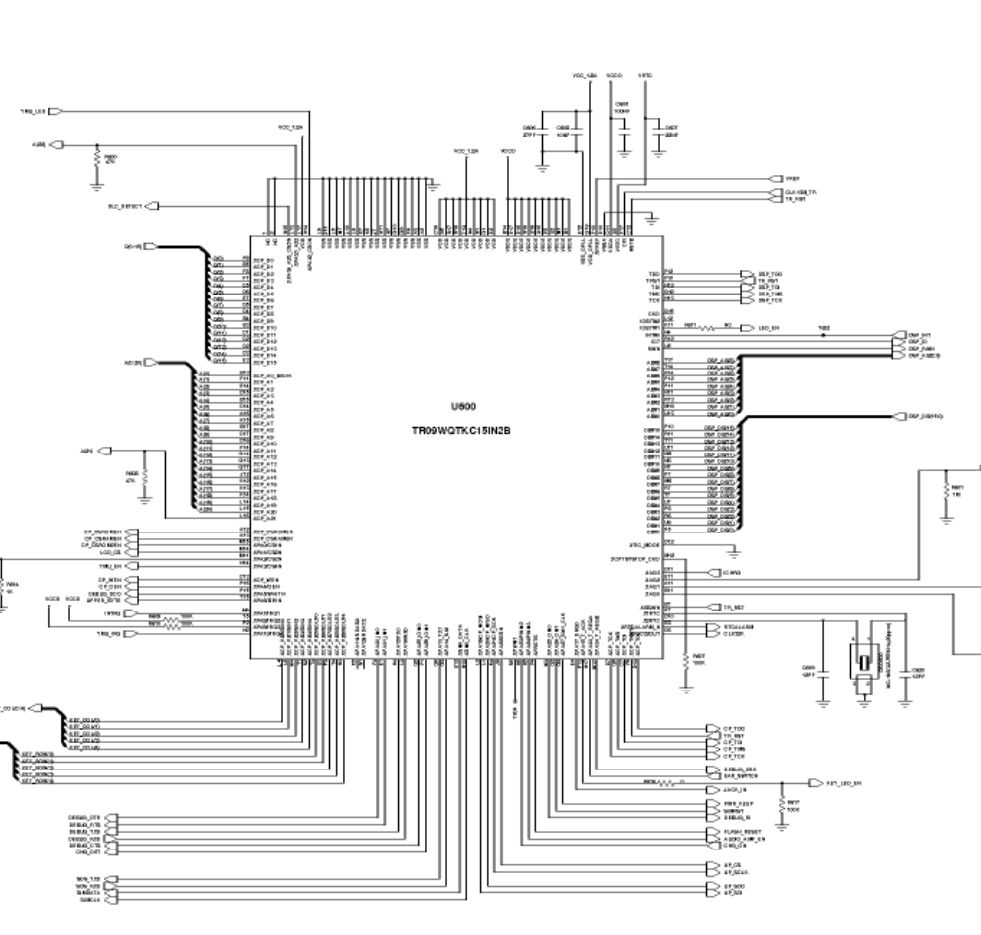
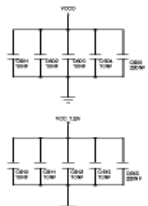
Changed by	Sub. Changed	2004.08.30	Time Changed	3:55:22 pm	QA CDR	REV	2.4	Drawing Number	Sheet 4 of 4
------------	--------------	------------	--------------	------------	--------	-----	-----	----------------	--------------



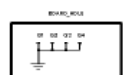
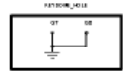
MEMORY

Engineer	SAMSUNG ELECTRONICS	Rev 3.2
Design by		
MEM CDR		
DOC CTRL CDR		
MEM EDRS CDR	SGH-C200	

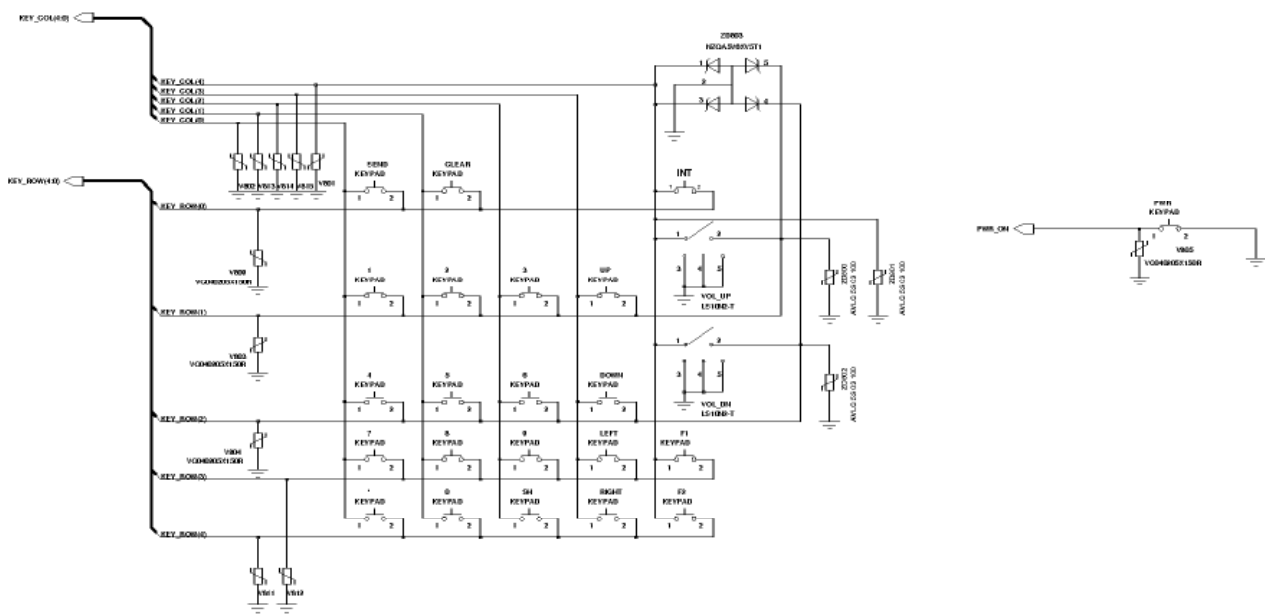
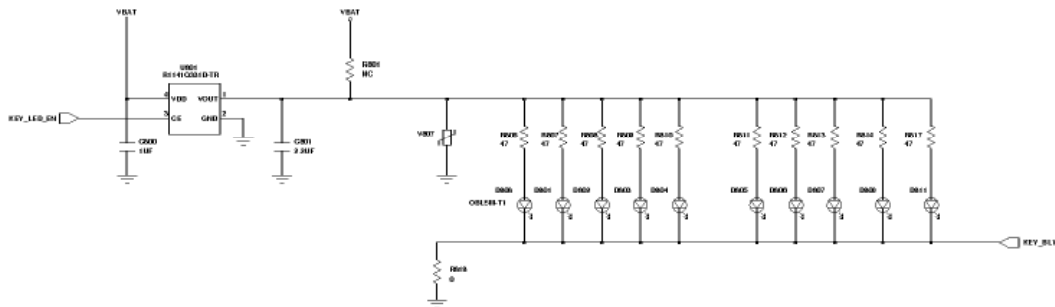
Changed by	Date Changed	Time Changed	QA CDR	REV	Drawing Number	Sheet	of	9
useeb	2004.08.30	3:11:48 pm		2.0				



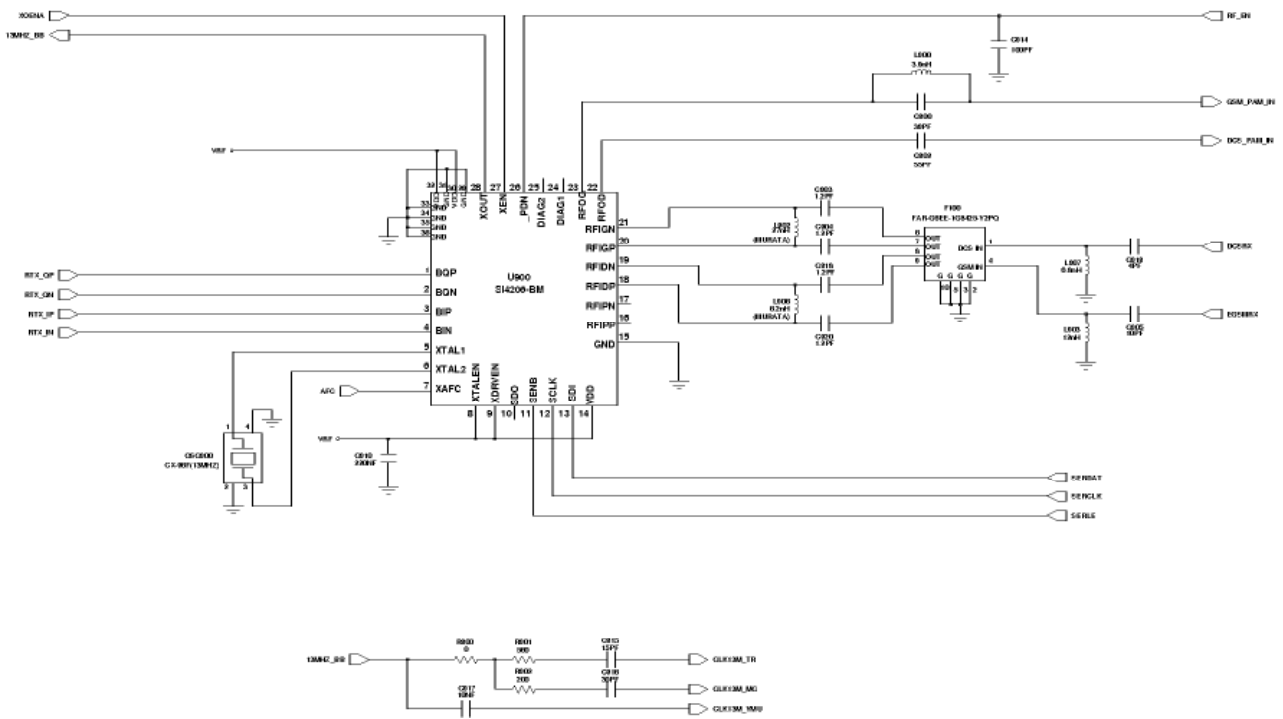
TRIDENT



Company	SAMSUNG ELECTRONICS
Part No.	TR09
Product Name	SGH-C200
Rev. No.	1.0



Engineer	SAMSUNG ELECTRONICS	
Desig. by		
IMD-CHEK	TITLE:	Rev. 3.1
DOC CTRL. CHEK	SGH-C200	
INFO. ENG. CHEK		
QA CHEK	REV. 3.1	Design Number
Checked by	2004.08.30	Sheet 1 of 1
Time Changed	3:22:42 pm	

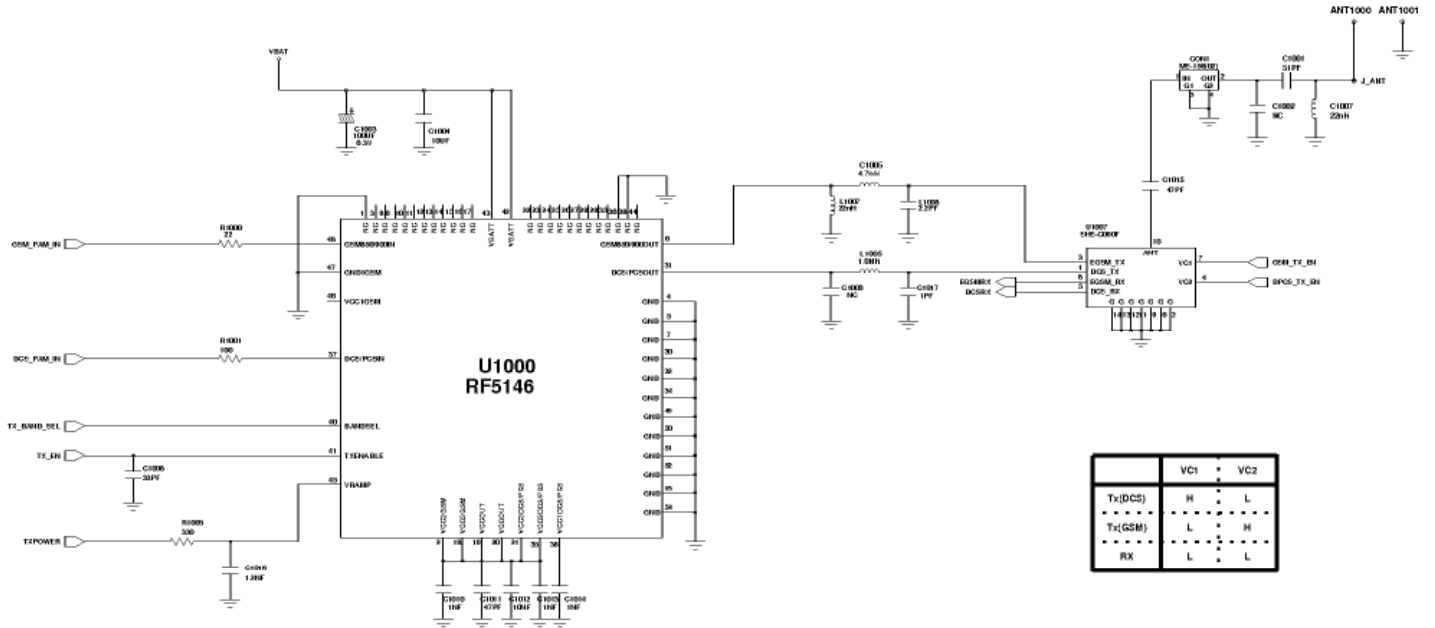


Engineer	SAMSUNG ELECTRONICS		
Desig			
Rev			
Doc Ctrl	TITLE:		
Doc Ctrl	SGH-C200		
Rev	REV 2.4		
Design Number	Sheet 6	of 9	Rev 32

Changed by	Sub-Changed	2004.06.30	Time Changed	3:22:21 pm
userb				

1 2 3 4 5 6 7 8

1 2 3 4 5 6 7 8



	VC1	VC2
Tx(DCS)	H	L
Tx(GSM)	L	H
RX	L	L

Engineer	SAMSUNG ELECTRONICS
Designed by	
IMD CDR	
DOC CTRL CDR	
RFIC ENG CDR	SGH-C200

Changed by	Sub Changed	2004.08.30	Time Changed	3:22:26 pm	QA CDR	REV	Design Number	Sheet	of	3
------------	-------------	------------	--------------	------------	--------	-----	---------------	-------	----	---