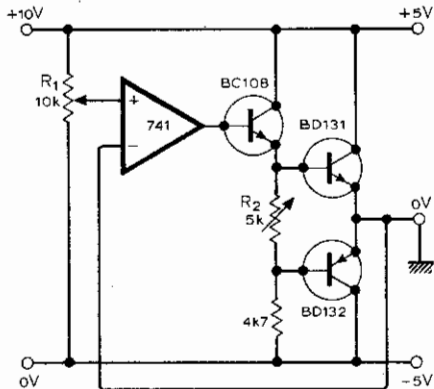


Voltage divider



When working with i.c.s it is often necessary to have positive and negative supplies, and it is desirable that each supply remains steady with changes in load current. This circuit has been a useful addition to an adjustable 0 to 15V stabilized supply. For +5 and -5V, potentiometer R₁ is set to the mid position and the current through the output transistors is set to 20mA by R₂.

Voltage difference between the non inverting input and the output earth varies by about 1mV when the input voltage is adjusted between 4 and 15V, or if the current from one half is changed from 0 to 100mA.

C. H. Banthorpe,
Northwood,
Middx.