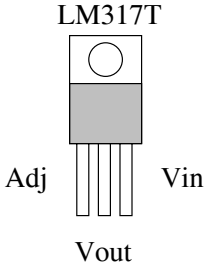
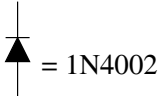
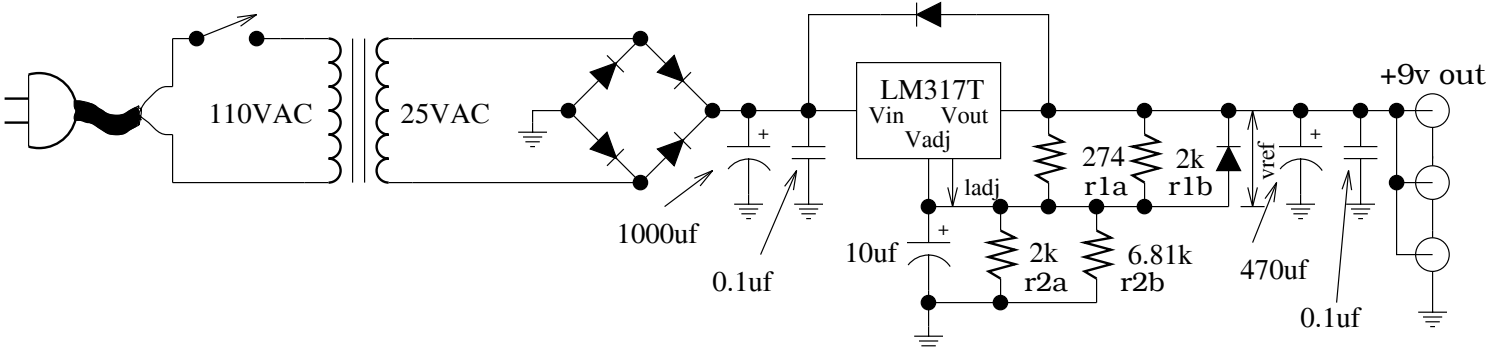


# Ultra-Clean 9vdc Power Supply

Designed by Rick Barker



274 2k

$$R1 = r1a \parallel r1b = 241 \text{ ohms}$$

$$R2 = r2a \parallel r2b = 1456 \text{ ohms}$$

$V_{ref} = 1.25V$

$I_{adj} = 50\mu A$

$$V_{out} = V_{ref}(1 + r2/r1) + I_{adj} * r2 = 9.35VDC$$