

## Part Source Missing

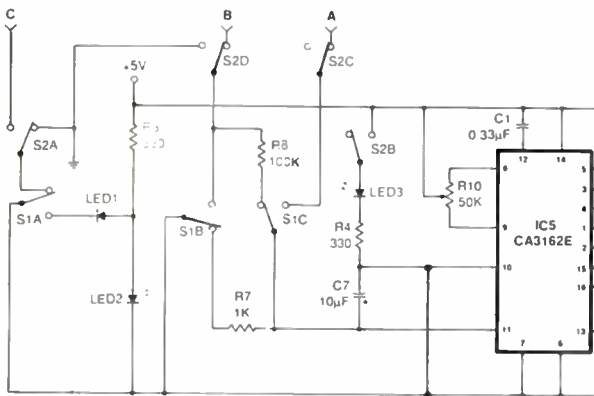
• The “Big Score” counter display featured in the March issue shows a bargraph-type display in the photos and references it in the text, but no part number was given in the Parts List of an otherwise excellent article. Please help.

William D. McMurray  
Cary, NC

*Just about any 10-element LED bargraph display that permits series connection of all elements, such as the Radio Shack Cat. No. 276-081 (\$2.99), can be used. Alternatively, if you need longer segments than such displays provide, you can simply connect 10 discrete LEDs in series with each other for each segment, spacing them as needed.—Ed.*

## Switching Erratum

• There seems to be an error in the switching arrangement for the “Dual-Polarity Power Supply” in the March 1990 issue. With



*S2A, S2C and S2D open with respect to the power supply as shown, there is no input. How can the circuit work?*

Chuck Hall  
Florence, MT

*You're correct about the switching arrangement error. The correct configuration of the affected circuit portion is shown here.—Ed.*