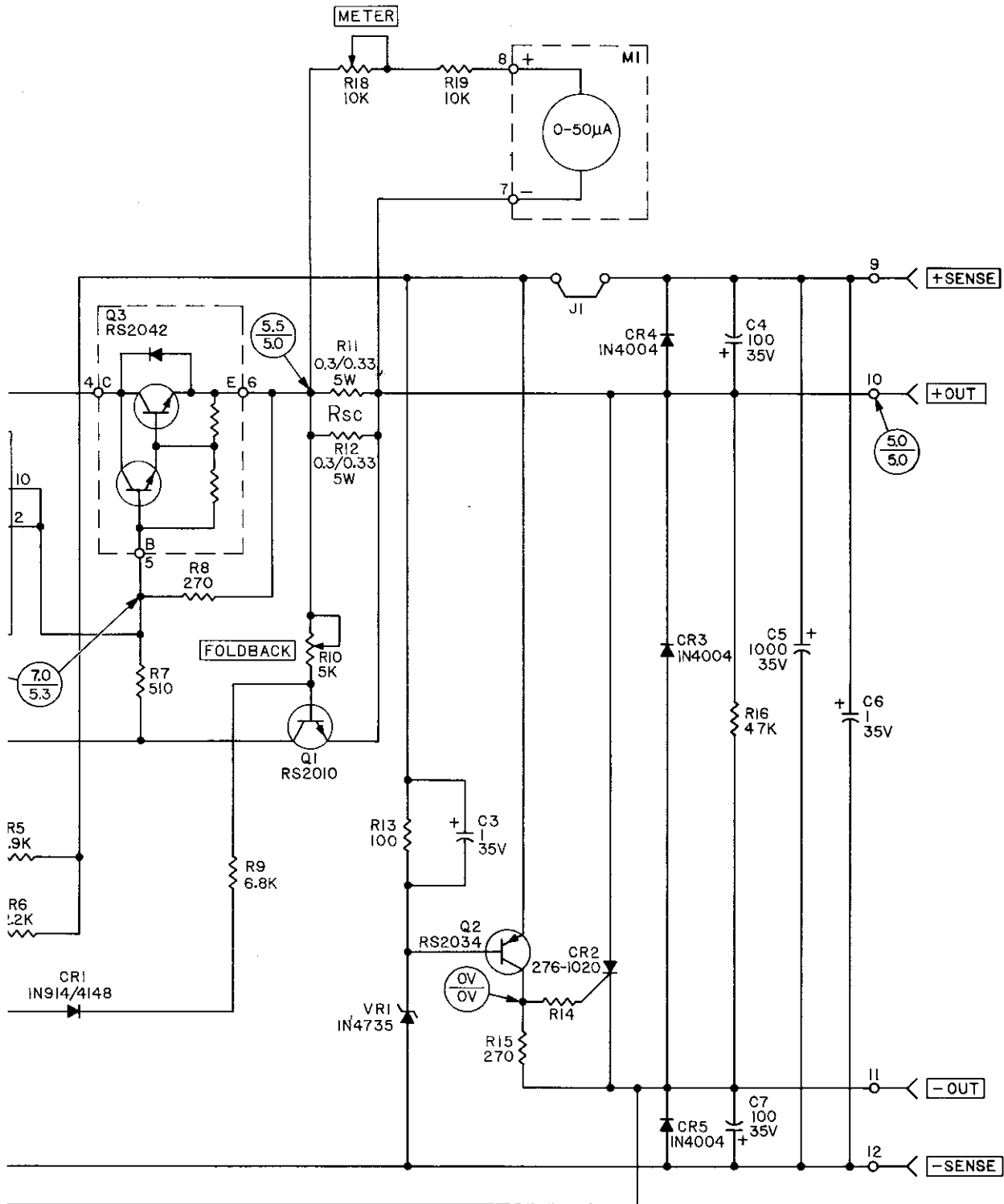


NOTES:

1. UNLESS OTHERWISE SPECIFIED:  
ALL RESISTORS ARE IN OHMS (K=1000), 1/4W, 5%.  
ALL CAPACITORS ARE IN MICROFARADS (K=1000).
2. 3A OUT  
NO LOAD VOLTAGE MEASUREMENTS USING VOM OR DVM ARE SHOWN IN BUBBLES AND ARE KEYED TO 3A OUT (ABOVE THE LINE) AND NO LOAD (BELOW THE LINE).
3. VOLTAGE MEASUREMENTS ARE REFERENCED TO THE -OUT JACK.

FIGURE 28. SCHEMATIC OF 5-



5-VOLT @ 3 AMP POWER SUPPLY