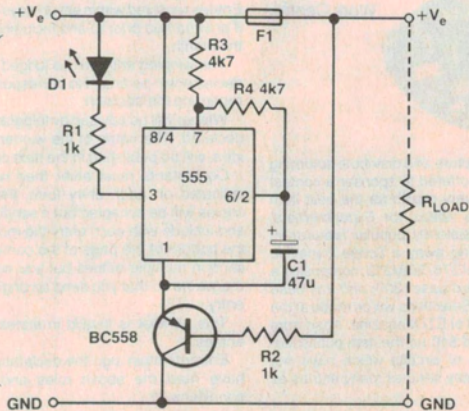


TO 'UNPROTECTED'
DC OUTPUT OF
POWER SUPPLY



Fuse fail indicator

R.N. Sinclair of Coogee NSW sent in this circuit which indicates an open circuit fuse by flashing the LED D1.

The circuit is based around the popular 555 timer IC which is arranged as a multivibrator with its frequency/period determined by C1, R3 and R4. R1 is the current limiter for D1.

When the fuse is intact, the BC558 is off but when the fuse fails and there is an open circuit the BC558 switches on, supplying power to the input of the 555 (pin 1). A load must be present to switch the transistor on and consequently the LED.

The fuse fail indicator must not be used when the power supply is greater than 15 V.