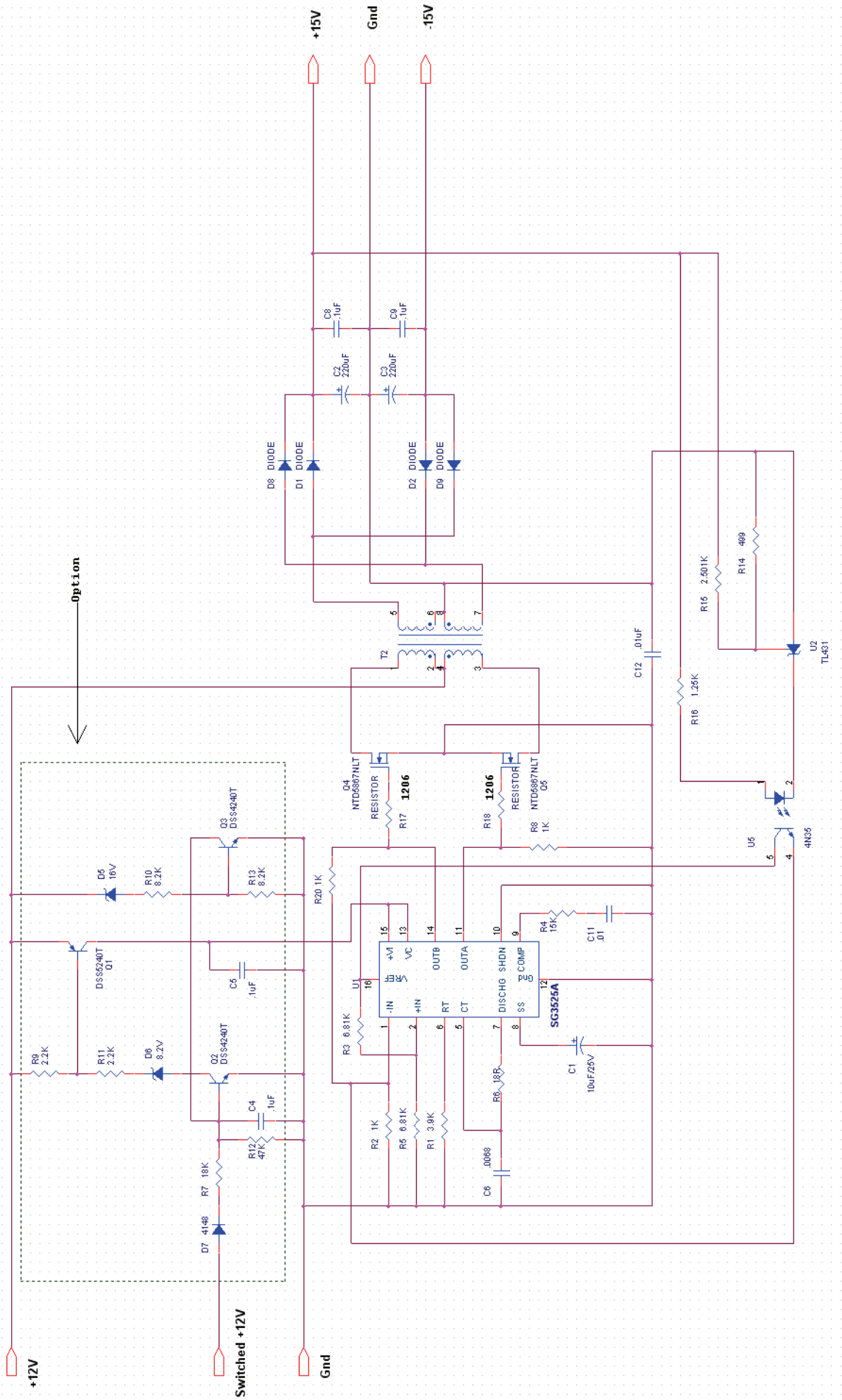


PSU for +15V Pre Amp



Option