

MOSFET / IGBT DRIVER CONFIGURATIONS

by S.G. Mahbub

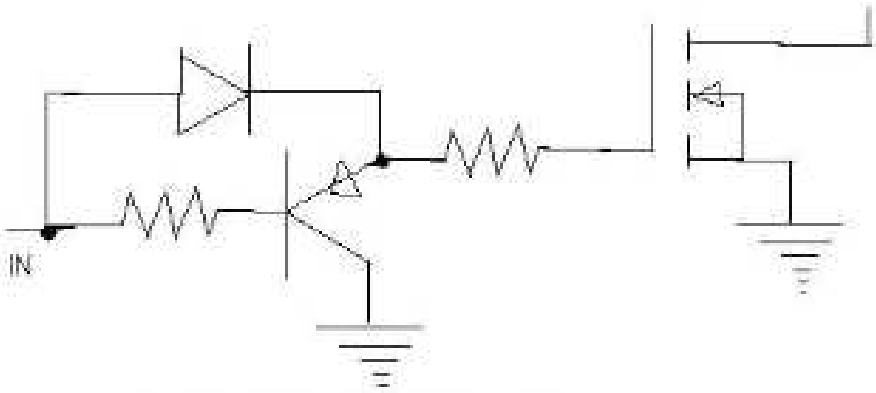


Fig 1: Diode-transistor configuration

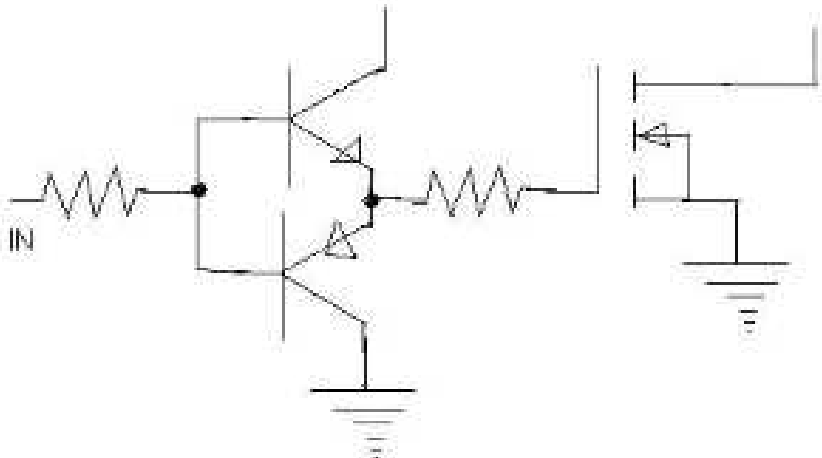


Fig 2: Transistor-Transistor Configuration (Totem-pole)

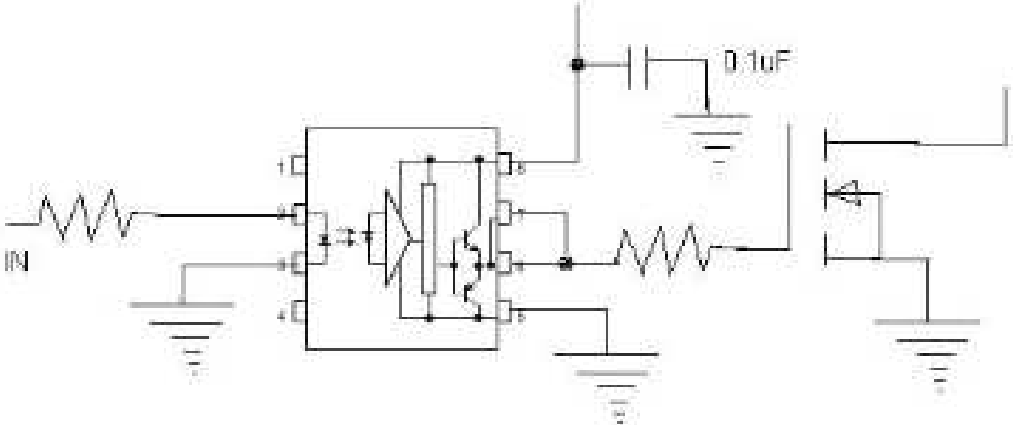


Fig 3: Using readily available gate driver ICs like the TLP250