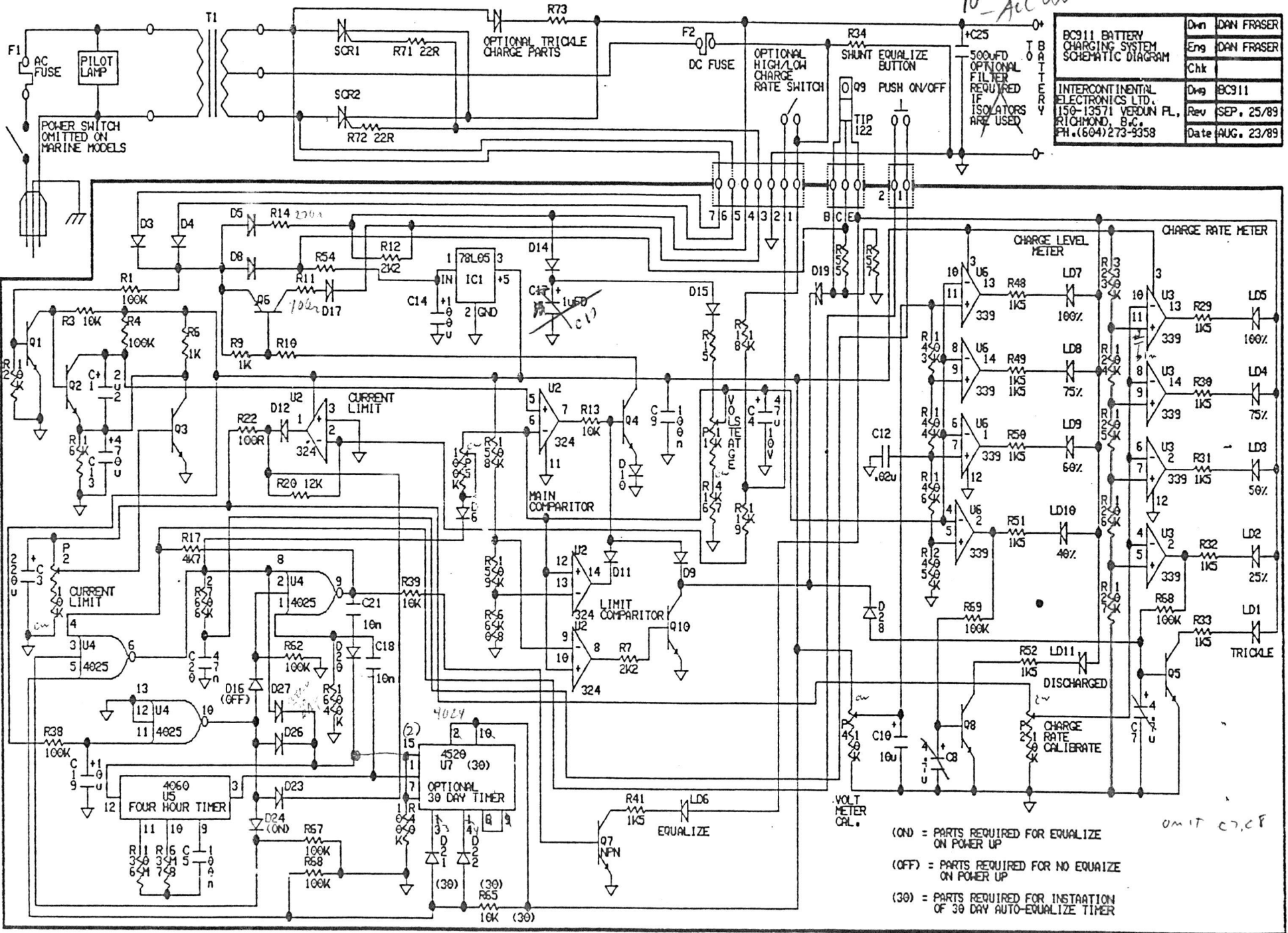


100w
- All units

BC911 BATTERY CHARGING SYSTEM SCHEMATIC DIAGRAM	Dwn	DAN FRASER
	Eng	DAN FRASER
	Chk	
INTERCONTINENTAL ELECTRONICS LTD. 150-13571 VERDUN PL., RICHMOND, B.C. PH. (604) 273-9358	Dwg	BC911
	Rev	SEP. 25/89
	Date	AUG. 23/89



(ON) = PARTS REQUIRED FOR EQUALIZE ON POWER UP
 (OFF) = PARTS REQUIRED FOR NO EQUALIZE ON POWER UP
 (30) = PARTS REQUIRED FOR INSTANTATION OF 30 DAY AUTO-EQUALIZE TIMER

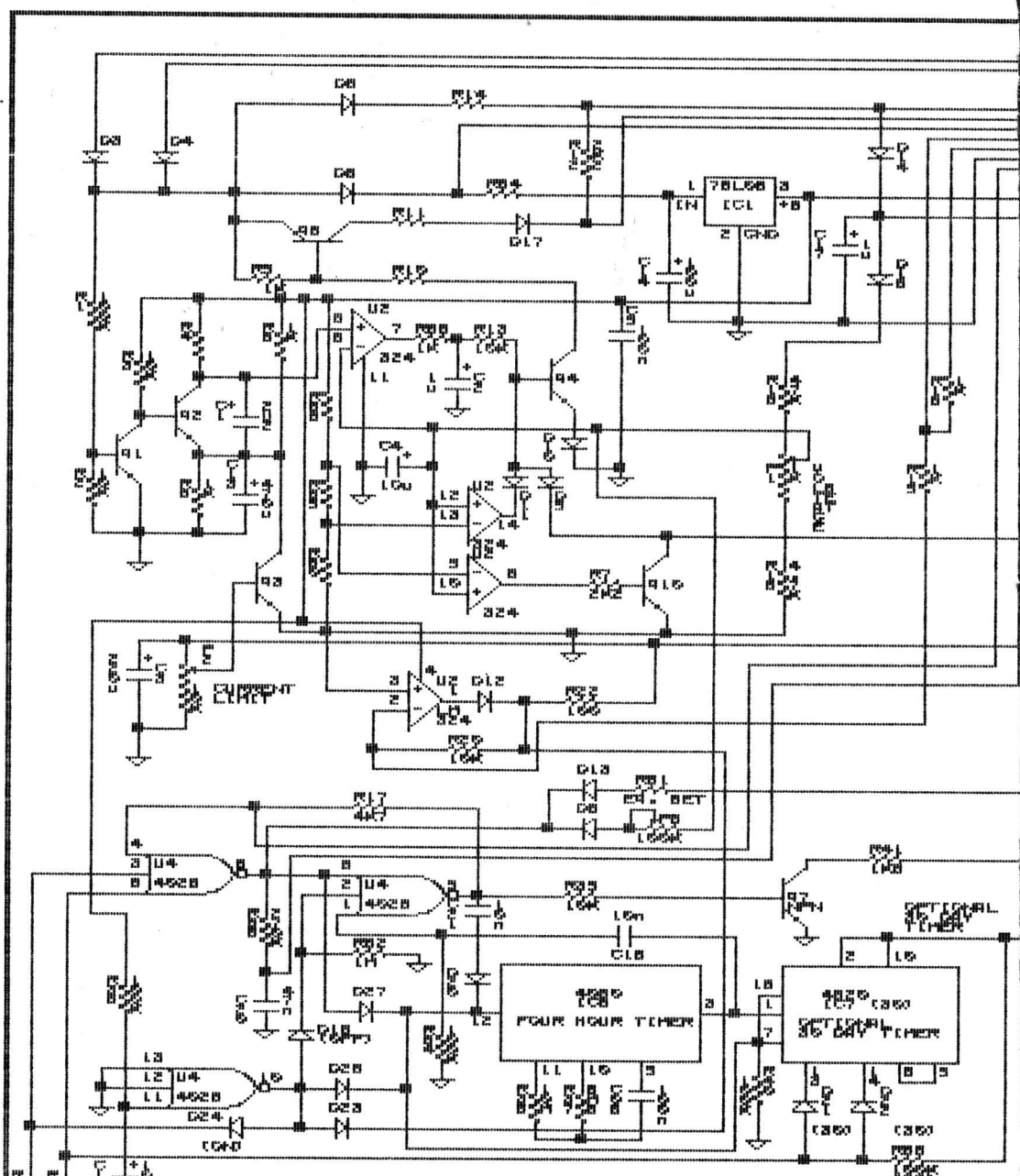
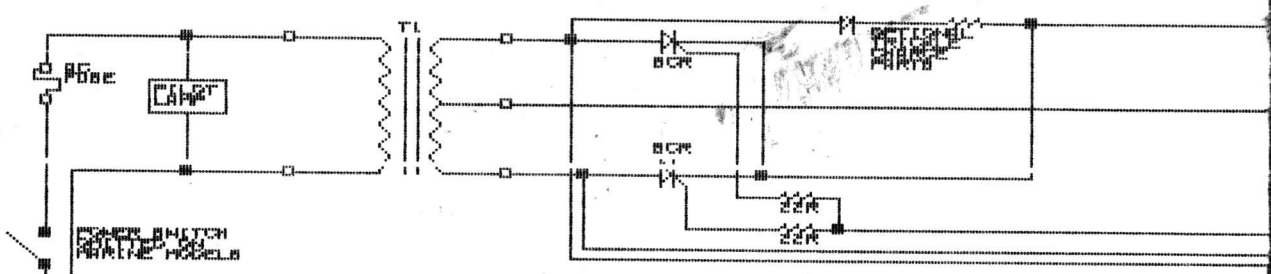
omit C7, C8

45-0015-0-30-PAY

D27 - 100W 30 DAY

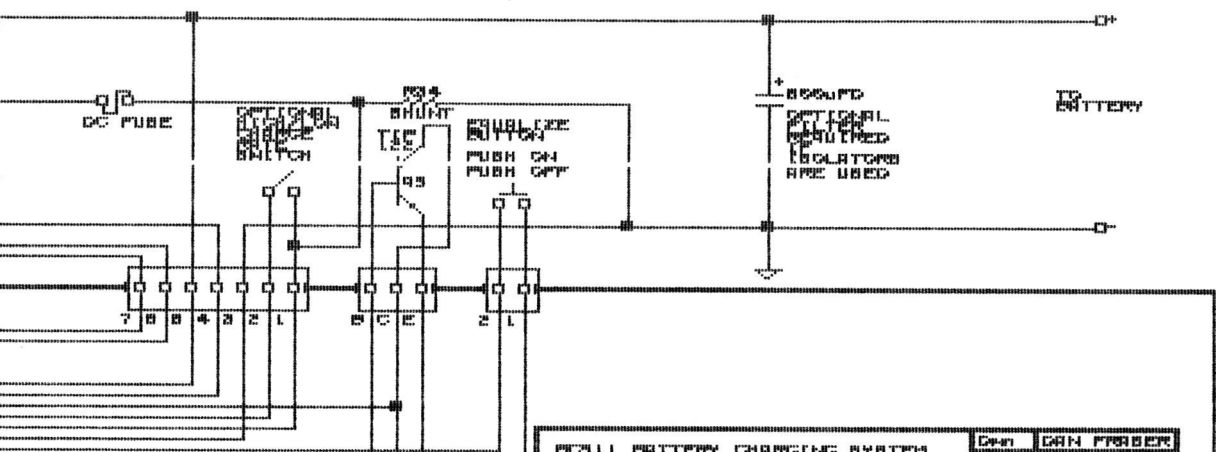
40 DAY TIMER - 190 - 100W 30 DAY

u2 - plus 10812 not connected to R46



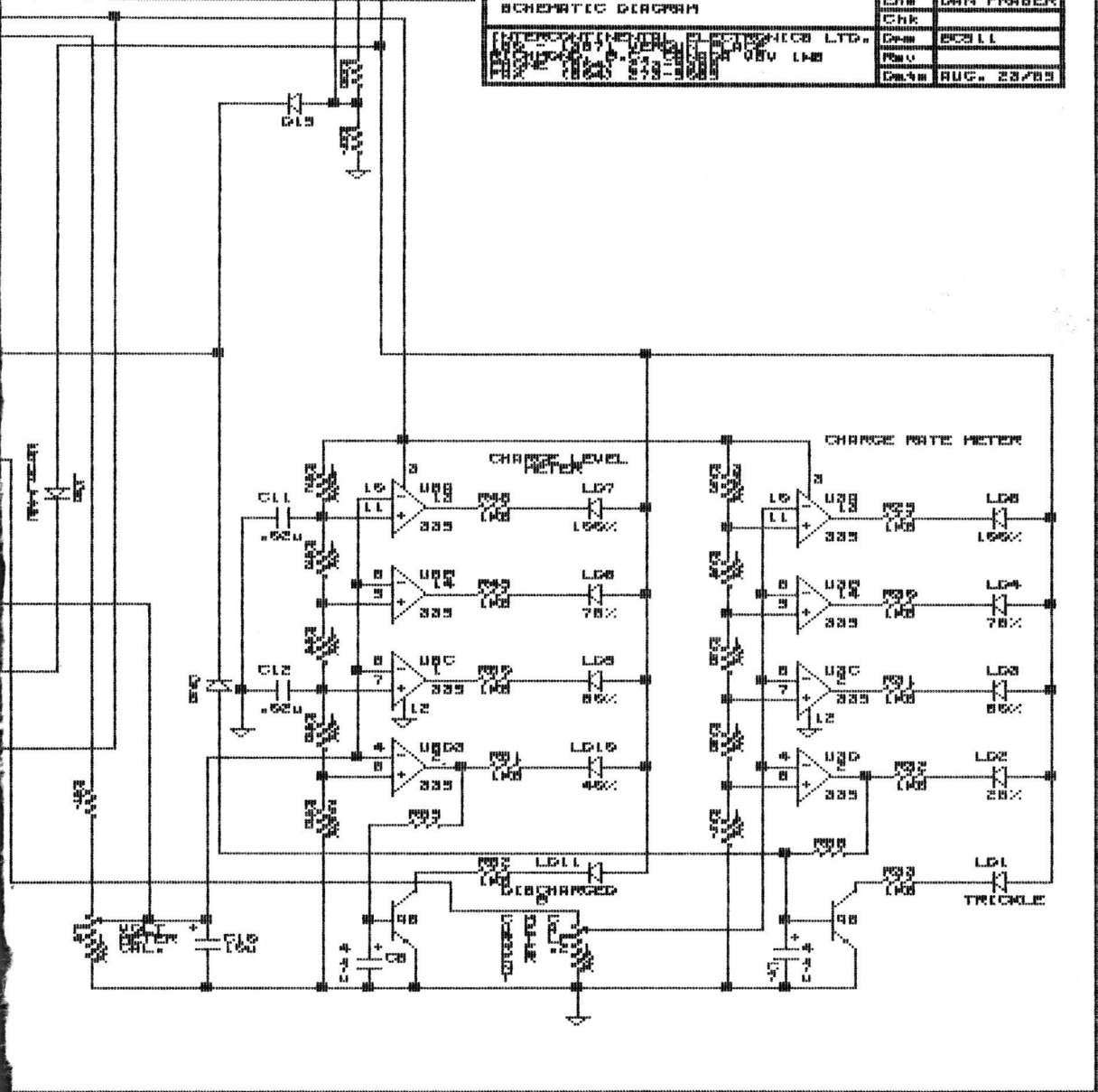
- C60 - CMOS BR/ADMP-EN/CL/BL/TAN
- C60 - CMOS BR/ADMP-EN/CL/BL/TAN
- C60 - CMOS BR/ADMP-EN/CL/BL/TAN

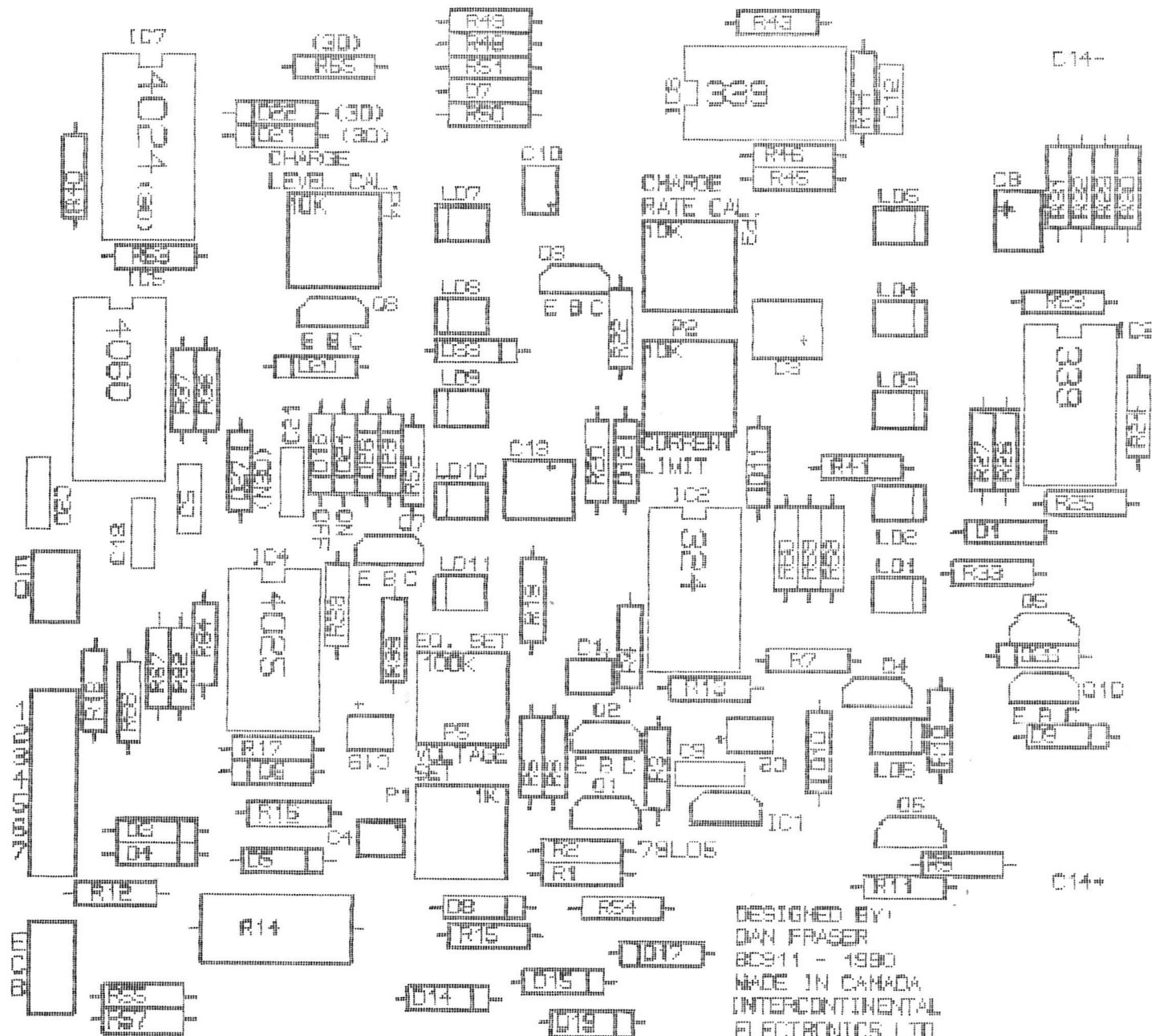
000



**ECCELL BATTERY CHARGING SYSTEM
SCHEMATIC DIAGRAM**

Design	DAN FRISBER	DAN FRISBER
Drawn	DAN FRISBER	DAN FRISBER
Checked		
Design	ECCELL	
Part No.	08V LMB	
Rev. No.	RUC-23/83	

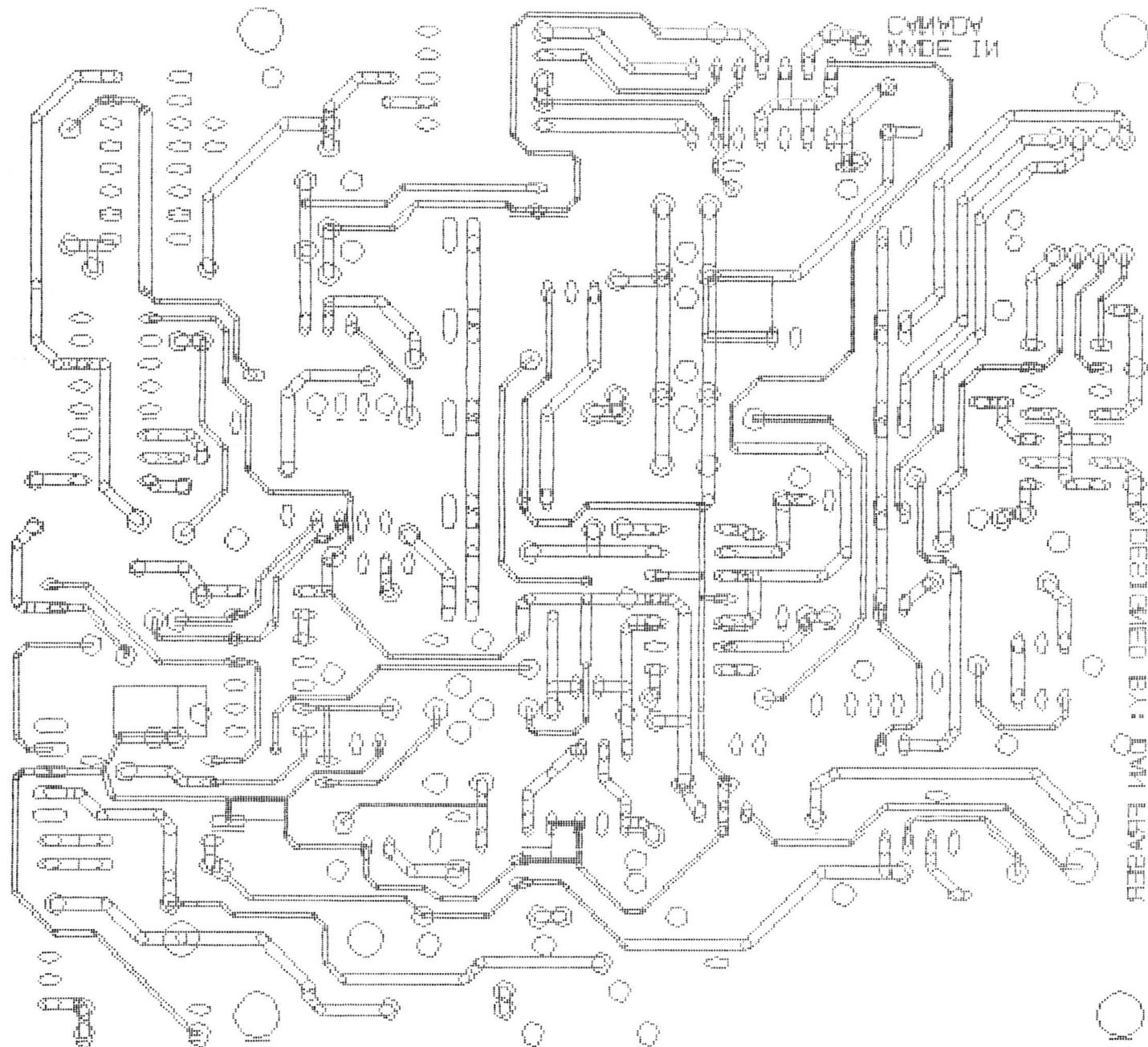




FRASER TECHNOLOGIES LTD.

\BC911\MK2.pcb

10-25-1989 20:47



CMMDV
WIDE IN

DESIGNED BY: DAN FRASER

FRASER TECHNOLOGIES LTD.

\BC911\MK2.pcb

10-25-1989 20:45

