

designideas

READERS SOLVE DESIGN PROBLEMS

Measure power-line distortion with a mixed-signal-THD analyzer

John R Ambrose, Mixed Signal Integration, San Jose, CA

Because of the performance of compressors and other inductive loads, it becomes more important to monitor the distortion on a power line. With alternative power sources, such as wind or solar, a distorted 60-Hz sine wave is more likely to be present. To measure this distortion, you can use a mixed-signal-THD (total-har-

monic-distortion) analyzer to monitor the fundamental frequency amplitude and the second-, third-, fourth-, and fifth-harmonic content of the input signal. The analyzer, from Mixed Signal Integration (www.mix-sig.com) includes five bandpass filters and two op amps. The op amps provide gain and continuous-time filtering. The

DI Inside

70 Wireless "battery" energizes low-power devices

72 Solid-state analog-data recorder runs for 7.4 days

74 Wideband peak detector operates over wide input-frequency range

► What are your design problems and solutions? Publish them here and receive \$150! Send your Design Ideas to edndesignideas@reedbusiness.com.

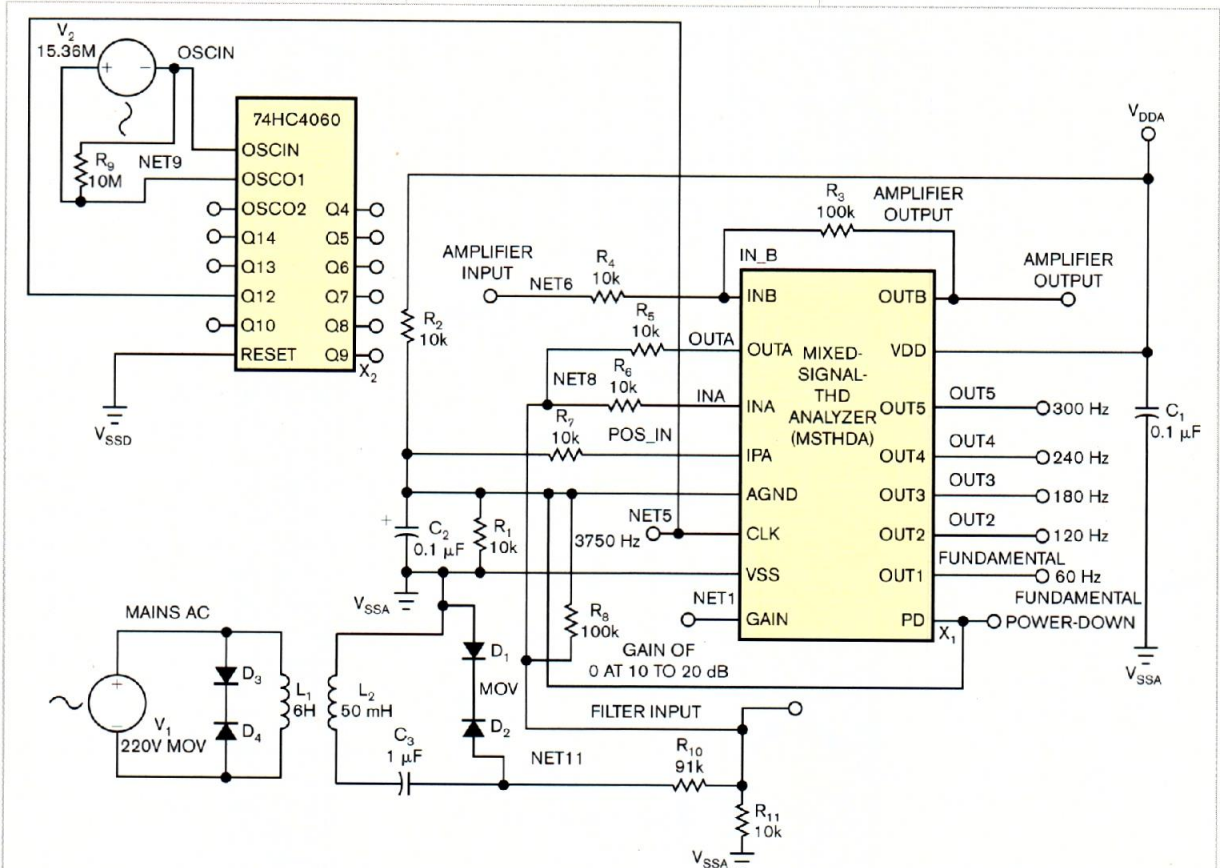


Figure 1 This mixed-signal-THD analyzer monitors the fundamental frequency amplitude and the second-, third-, fourth-, and fifth-harmonic content of the mains-input voltage.

analyzer also has digital-gain control for measurements in which the input amplitude is 10 or 20 dB lower than nominal: 2V p-p. The outputs of the analyzer are analog. Depending on the display that an application requires, you could tie the outputs to a bar-code interface, such as the LM3915 for 3-dB steps, or interface them with a multiplexer on a microcontroller for a digital readout.

Figure 1 shows the connections of

the analyzer to the mains supply. A “wall-wart” transformer reduces the 120V mains voltage to 9V ac. This transformer provides 1500V isolation from primary to secondary and has low-distortion performance. The resistors in the divider act as fuses in case of a large surge voltage, and they reduce the voltage you apply to the analyzer. The back-to-back diode clamp protects the analyzer during momentary overvoltage conditions. In addi-

tion, a 220V MOV (metal-oxide varistor) across the transformer’s primary protects the transformer. The analog ground centers on 2.5V and is derived from a 100-k Ω resistor-divider network. A 0.1- μ F capacitor provides ac filtering. A 74HC4060 operates at 15.360 MHz; the divide-by-4096 (Q12) output connects to the analyzer’s input-clock signal and supplies the clock for the device’s switched-capacitor filters. **EDN**