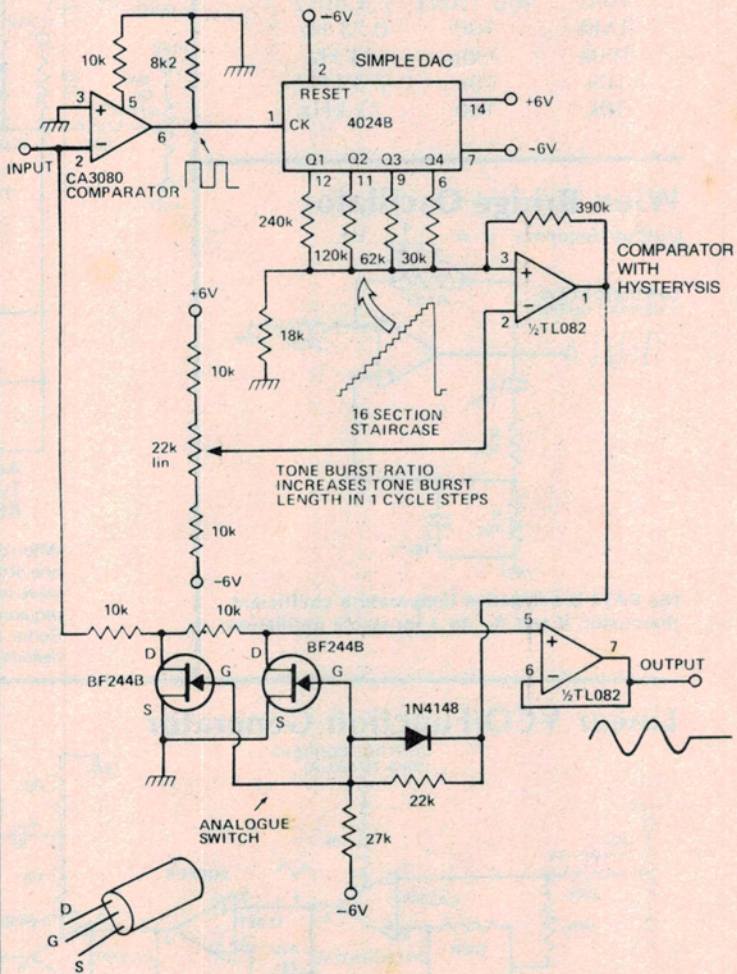


Variable Length Tone Burst Generator



Input is a sinewave or any other periodic waveform, maximum level $\pm 2V$, maximum frequency 100 kHz
 Output is a tone burst variable from one cycle on, 15 cycles off to 15 cycles on, one cycle off
 All devices powered from $\pm 6V$