

August 24, 2007

# DURABRAND

**Cyclonic Upright  
Vacuum Cleaner**

---



**MADE BY  
DIRT  
DEVIL**

---

**MODEL: CBU\_4**

**THIS VACUUM CLEANER IS INTENDED FOR  
HOUSEHOLD USE ONLY.**

**IMPORTANT SAFETY INSTRUCTIONS**

When using an electrical appliance, basic safety precautions should always be observed, including the following:

- READ ALL INSTRUCTIONS BEFORE USING YOUR VACUUM CLEANER.
- ALWAYS FOLLOW THESE SAFETY INSTRUCTIONS.
- BRING CLEANER TO UPRIGHT POSITION WHEN USING THE HOSE AND ATTACHMENTS.
- DO NOT LEAVE CLEANER UNATTENDED WHEN PLUGGED IN.
- REGULARLY CHECK THE FILTERS TO CLEAN OR REPLACE.
- WARNING: DO NOT USE SHARP OBJECTS TO CLEAN OUT THESE HOSE SINCE THEY COULD CAUSE DAMAGE.
- OCCASIONALLY REMOVE BRUSH AND CLEAN DEBRIS FROM END CAPS TO KEEP BRUSH ROTATING SMOOTHLY.
- WARNING: THE CORDS, WIRES, AND/OR CABLES SUPPLIED WITH THIS PRODUCT CONTAINS CHEMICALS, INCLUDING LEAD OR LEAD COMPOUNDS, KNOWN TO THE STATE OF CALIFORNIA TO CAUSE CANCER AND BIRTH DEFECTS OR OTHER REPRODUCTIVE HARM. WASH HAND AFTER USING.

**WARNING:** To reduce the risk of fire, electrical shock, or injury:

1. Do not leave appliance when plugged in. Unplug from outlet when not in use and before servicing.
2. Do not use outdoors or on wet surfaces.
3. Do not allow to be used as a toy. Close attention is necessary when used by or near children.
4. Use only as described in this manual. Use only manufacturer's recommended attachments.
5. Do not use with damaged cord or plug. Do not use vacuum if it has been dropped, damaged, left outdoors, or dropped in water. Return it to an authorized service center.
6. Do not pull or carry by cord, use cord as a handle, close a door on cord, or pull cord around sharp edges or corners. Do not run appliance over cord. Keep cord away from heated surfaces.
7. Do not unplug by pulling on cord. To unplug, grasp the plug, not the cord.
8. Do not handle plug or appliance with wet hands.

9. Do not put any object into openings. Do not use with any opening blocked; keep free of dust, lint, hair and anything that may reduce air flow.
10. Keep hair, loose clothing, fingers, and all parts of body away from openings and moving parts.
11. Turn off the controls before unplugging.
12. Use extra care when cleaning on stairs.
13. Do not use to pick up flammable or combustible liquids such as gasoline or use in areas where they may be present.
14. Keep the vacuum cleaner on the floor, only the hand-held vacuum cleaners may be set on furniture.
15. Do not pick up anything is burning or smoking, such as the cigarettes, matches and hot ashes.
16. Do not use the vacuum cleaner without dust cup filter in place.
17. Do not use an extension cord with this vacuum cleaner.
18. Do not carry the vacuum cleaner while it is running.
19. Store the vacuum indoors. Put the vacuum away after use to prevent tripping accidents.
20. Using improper voltage may result in damage to the motor and possible injury to the user. Correct voltage is listed on the rating label.
21. Use only on dry, indoor surfaces.
22. Do not use for any purpose other than described in this user's guide.
23. If the vacuum is damaged, it must be repaired by the manufacturer or its service agent or a similarly qualified person in order to avoid a hazard.

## **SAVE THESE INSTRUCTIONS**

**WARNING:** To reduce the risk of electric shock, this appliance has a polarized plug (one blade is wider than the other ). This plug will fit in a polarized outlet only one way. If the plug does not fit fully in the outlet , reverse the plug. If it still does not fit, contact a qualified electrician to install the proper outlet. Do not change the plug in any way.

# Parts identification

## In the Box



Motor Unit  
(mains cable attached)



Canister and Hose  
Assembly



Handle



Upholstery Brush

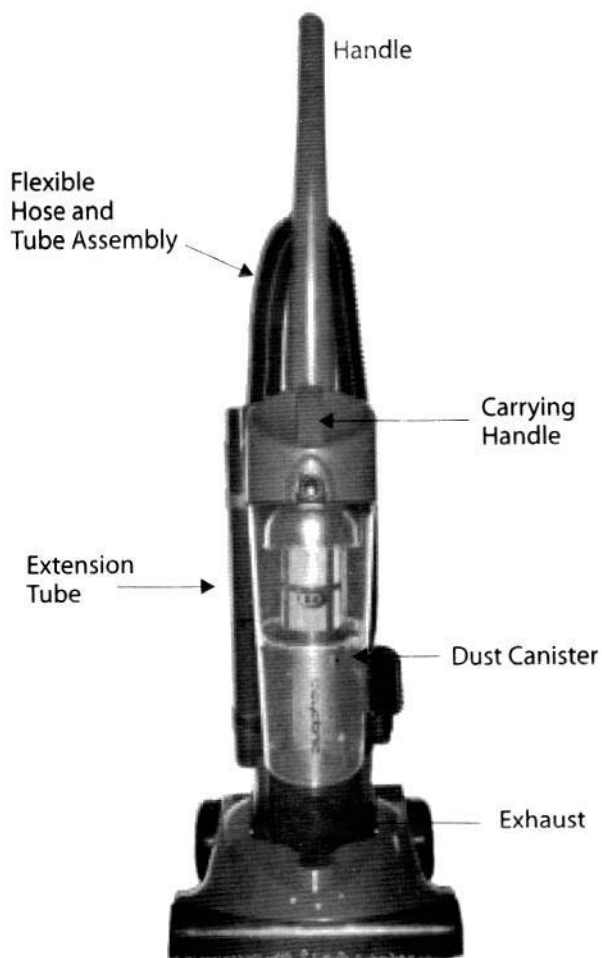


Crevice Tool

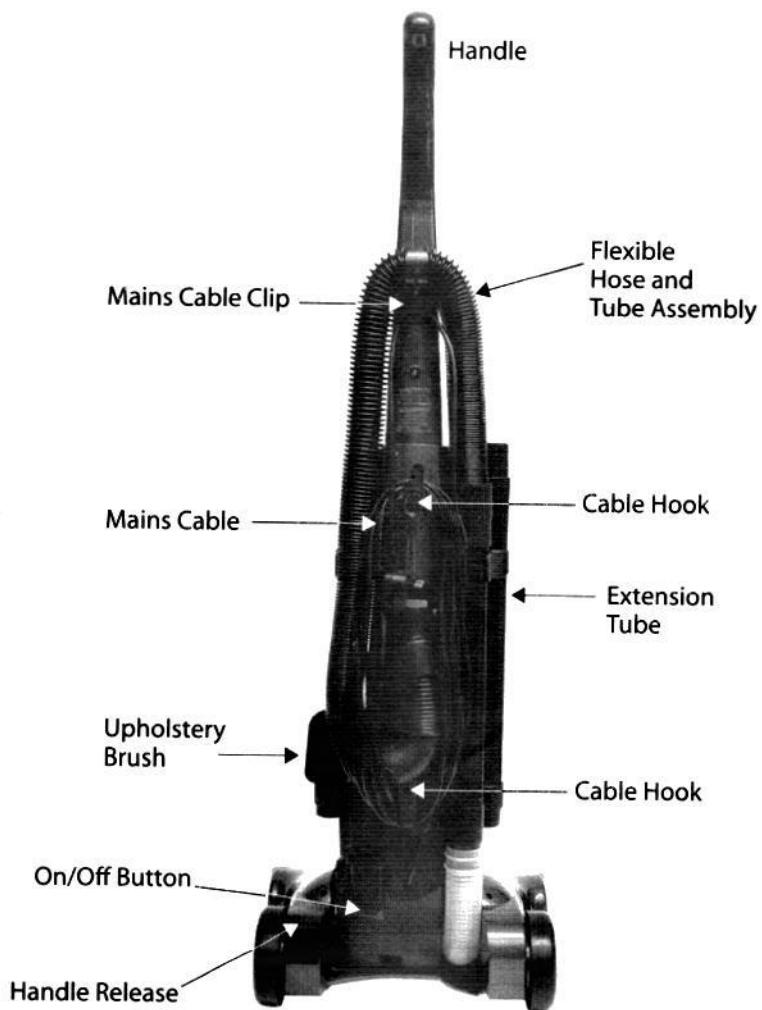


Extension Tube

## Front View



## Rear View



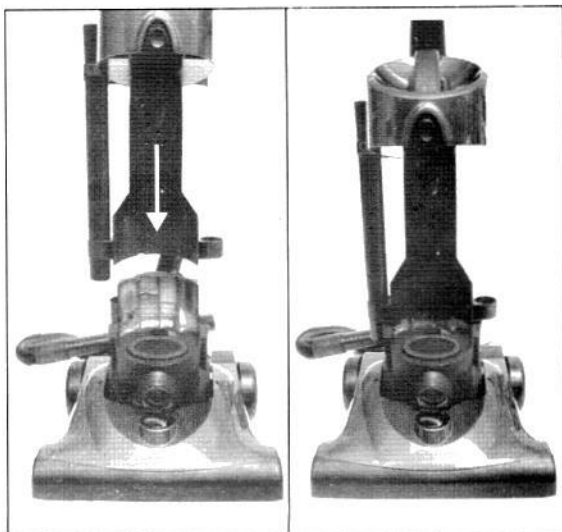
# Assembly

## Fitting the Canister and Hose Assembly

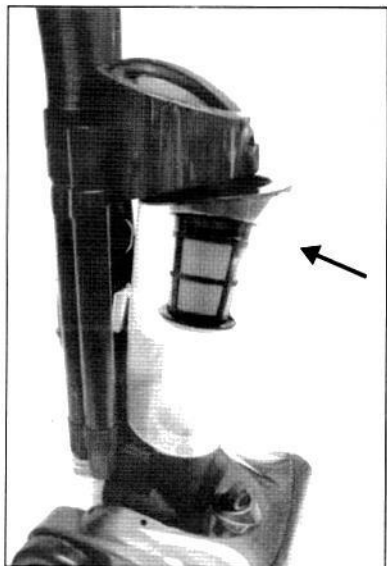
- Remove the two screws from the motor unit.
- Remove the dust canister from the canister and hose assembly by pressing the release button.



- Slide the hose assembly over the motor unit.
- Replace the screws and tighten to fix the hose assembly to the motor unit.

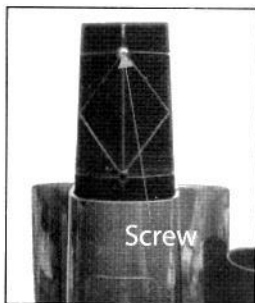


- Replace the dust canister by locating the bottom of the canister with the rim on the motor unit then push the top of the canister into the cleaner until it clicks in place.

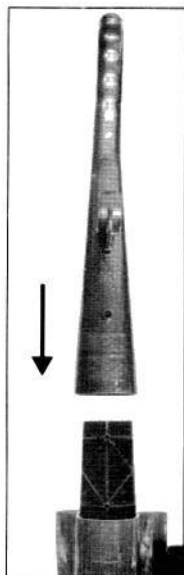


## Fitting the Handle

- Remove the screw from the canister and hose assembly.



- Slide the handle onto the canister and hose assembly.



- Replace the screw and tighten to fix the handle to the cleaner.



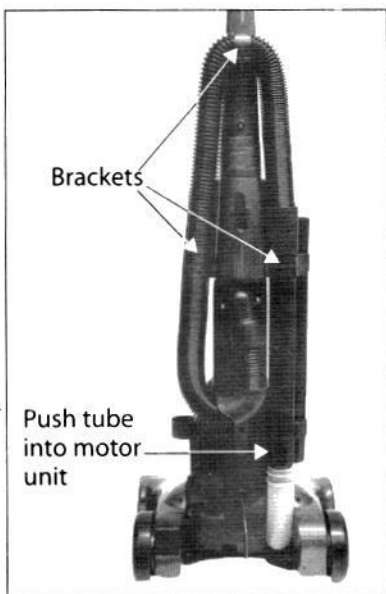


## Fitting the Flexible Hose and Tube Assembly

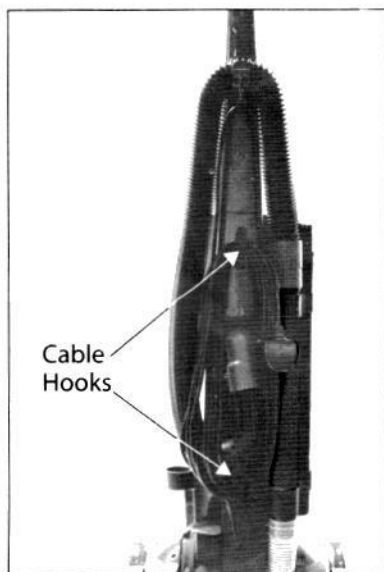
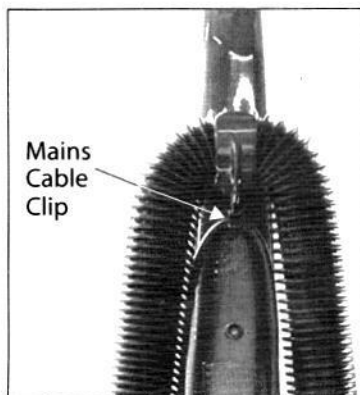
- Route the flexible hose as shown opposite. Push the end of the hose/tube assembly into the hose on the motor unit.
- The hose/tube assembly clips into three brackets, two on the side and one on the handle.
- Clip the mains cable into the mains cable clip just below the hose bracket. This will help to keep the cable away from the wheels during use, see below.



**WARNING!**  
**ALWAYS USE THE**  
**CABLE CLIP TO KEEP**  
**THE MAINS CABLE OFF**  
**THE FLOOR AND AWAY**  
**FROM THE WHEELS.**



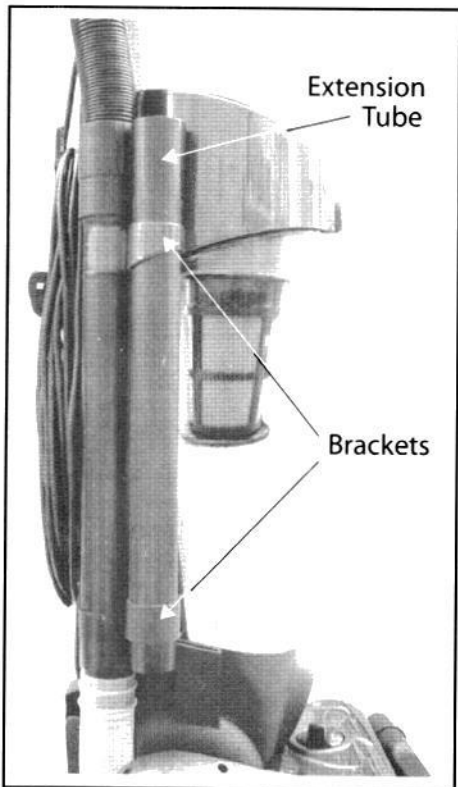
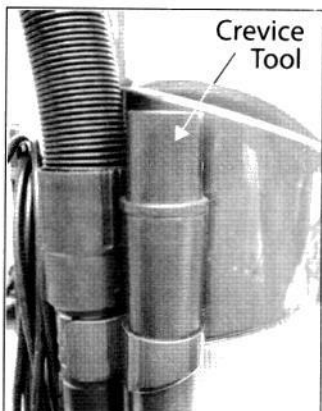
- Wind the remainder of the mains cable round the two cable hooks. Note that the top hook rotates to ease removal of the cable for use.



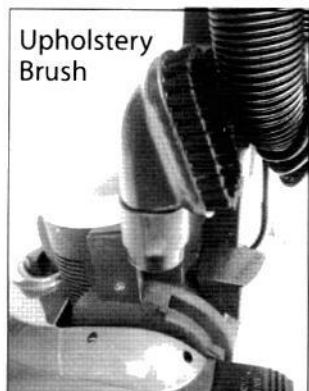
## Locate the Accessories

- The extension tube slots into two brackets on the side of the cleaner as shown opposite.

- The crevice tool slides inside the extension hose as shown below.



- The upholstery brush also fits into a bracket on the other side of the cleaner.



# Using your vacuum Cleaner

Unwind the mains cable and plug the vacuum cleaner into the mains supply socket.

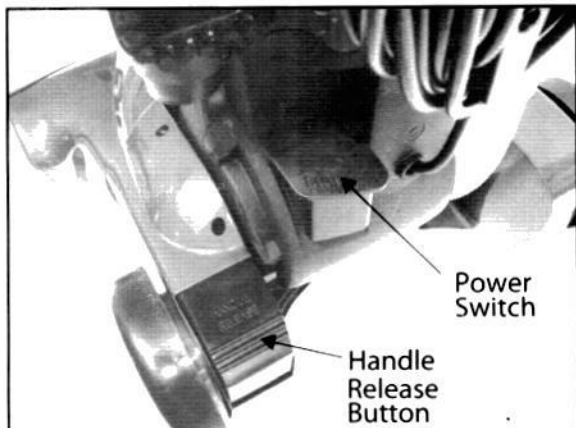
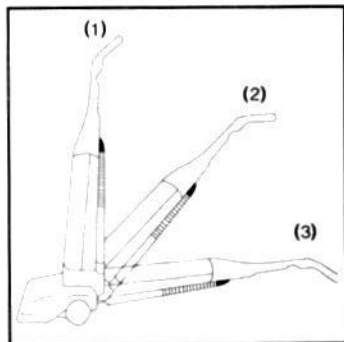
## Handle position

The handle can be used in three positions:

1. Upright for storage and when using the accessories.
2. Normal use.
3. For cleaning under low furniture.

To tilt the vacuum cleaner from the upright position press the handle release button with your foot (see below) and then pull back on the handle.

When returning the cleaner to the upright position, press the handle release button.



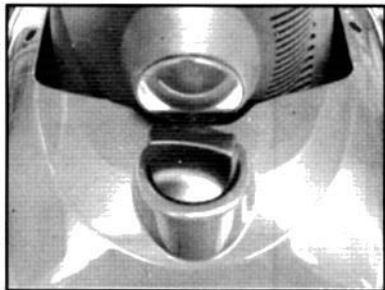
## Switching On

With the handle in the normal operating position, Press the Power switch with your foot to switch the vacuum cleaner on.

## Base Height adjustment

The base height can be adjusted for different types of floor covering and carpet thickness.

For hard floors turn the adjuster counter clockwise, 'short pile' position. For thicker carpets turn the adjuster clockwise, to the 'long pile' position. For medium pile carpets turn the adjuster to the middle.



## Accessory tools

- Place the vacuum cleaner into the upright position.
- Remove the tube section of the flexible hose assembly from the motor unit and fit the accessory you want to use onto the end of the tube.
- To remove the tool, gently twist and pull apart. Store the accessories in their correct storage position.



### CAUTION!

Do not lean on or rest your weight on the cleaner when using the flexible hose and accessory tools. Pressing down on the cleaner may cause damage to your carpet as the brush roller is still rotating. You need to be especially aware of this when vacuuming stairs.

## Switching Off

To switch the vacuum cleaner off, place the vacuum cleaner into the upright position and press the Power switch.

Disconnect from the mains supply and wind the mains cable around the cable hooks for storage.



### WARNING!

Always unplug your vacuum cleaner when not in use.

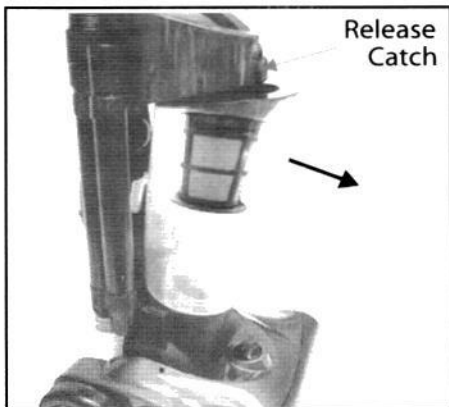
# Emptying the Dust Canister



## WARNING!

Always make sure that your vacuum cleaner is unplugged before emptying the dust canister or checking for blockages

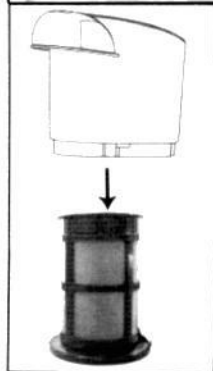
- Press the canister release catch and gently pull the dust canister towards you.



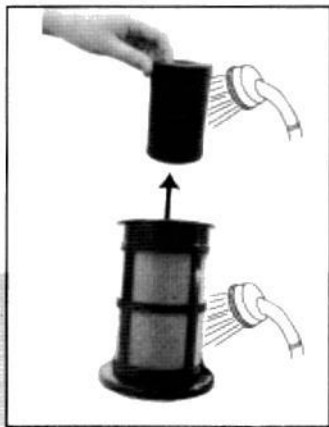
- Unlock the two halves of the canister by twisting anti-clockwise.
- Empty the canister taking care not to breath the dust.



- Pull the central filter together with the filter screen removing them from the top section of the canister.



- Clean both halves of the canister.
- If the central filter and filter screen are extremely dirty, pull the central filter removing it apart from the filter screen, rinse them with lukewarm water.



### **ATTENTION:**

The filters are not suitable for the dishwasher. Do not use either brushes or pointed or hard objects as cleaning implements. Leave the filter to dry after cleaning (approx. 15 hours at room temperature). Reinsert the filter into the brush vacuum cleaner only when it is completely dry. Otherwise the filter/brush vacuum cleaner will be damaged.

- Push the filter assembly into the top section of the canister. Lock the two halves and replace into the cleaner making sure that the lower part of the canister fits correctly onto the motor unit.

### **Removing Blockages**

If the suction of the vacuum cleaner seems to be reduced, check that the dust canister is empty, if it is then there is probably a blockage in one of the hoses, or the base. The filters may also need cleaning.



#### **WARNING!**

**Always make sure that your vacuum cleaner is unplugged before emptying the dust canister or checking for blockages**

- Switch the vacuum cleaner off and disconnect from the mains supply.
- Remove the flexible hose and any accessories and inspect all airways to locate the blockage.

Pay particular attention to the bend in the flexible hose in the motor unit (shown opposite). This part of the hose is clear to assist the detection of blockages. To remove a blockage in this section of the hose, lower the handle of the cleaner, the hose will be straighter.



## Maintenance

Depending on usage you will need to periodically clean the dust compartment and filters.



### **CAUTION!**

The dust compartment and filters must be fitted before the cleaner is used, to avoid damaging the motor.

## Filter cleaning/replacement

Your vacuum cleaner is fitted with filters which trap particles of dust. We recommend that the filters in the dust compartment are cleaned each time the dust compartment is emptied.

When you start using a high filtration system, you will find that you need to clean the filters more frequently as you will be removing finer particles than your previous cleaning system could remove.

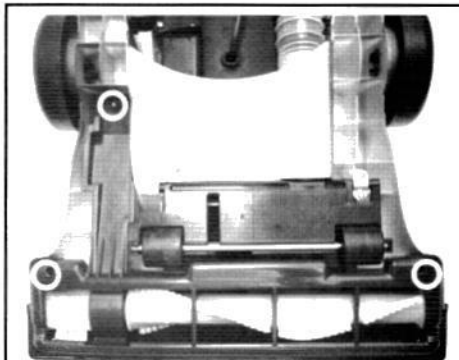
## Changing the drive belt



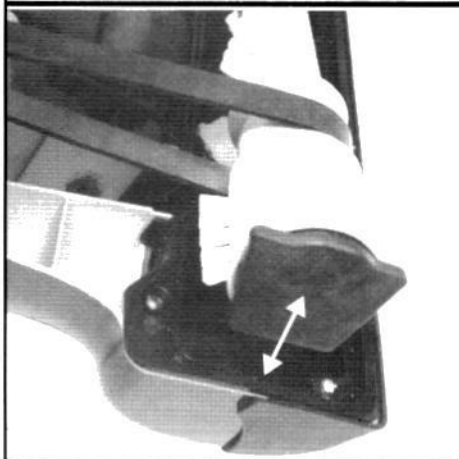
### WARNING!

Before you do any of the following make sure the vacuum cleaner is unplugged from the mains supply

- Remove the three screws from the base as shown, and lift off the cover to expose the belt and roller brush.



- Lift out the roller and remove the worn or broken belt.
- Install a new belt on the drive shaft and the roller brush.
- Push the roller brush back into place making sure that both sides are fitted correctly.
- Refit the cover using the three screws.





# Troubleshooting

## Thermal Cut Out

Your vacuum cleaner is fitted with a thermal cut out that protects the cleaner if the motor overheats. If the cleaner stops suddenly of its own accord, follow this procedure:

1. Switch off the vacuum cleaner and unplug from the mains supply.
2. Check for the source of the overheating problem (blocked hose, clogged filter, etc.).
3. Unblock the hose, and clean the filters if required.
4. Wait for approximately 30 minutes to allow the motor to cool.
5. After 30 minutes, plug in the vacuum cleaner and switch it on. The vacuum cleaner should now work.
6. If it still does not work, wait another 20 minutes and try again.
7. If your cleaner is still not functioning correctly, contact your dealer .