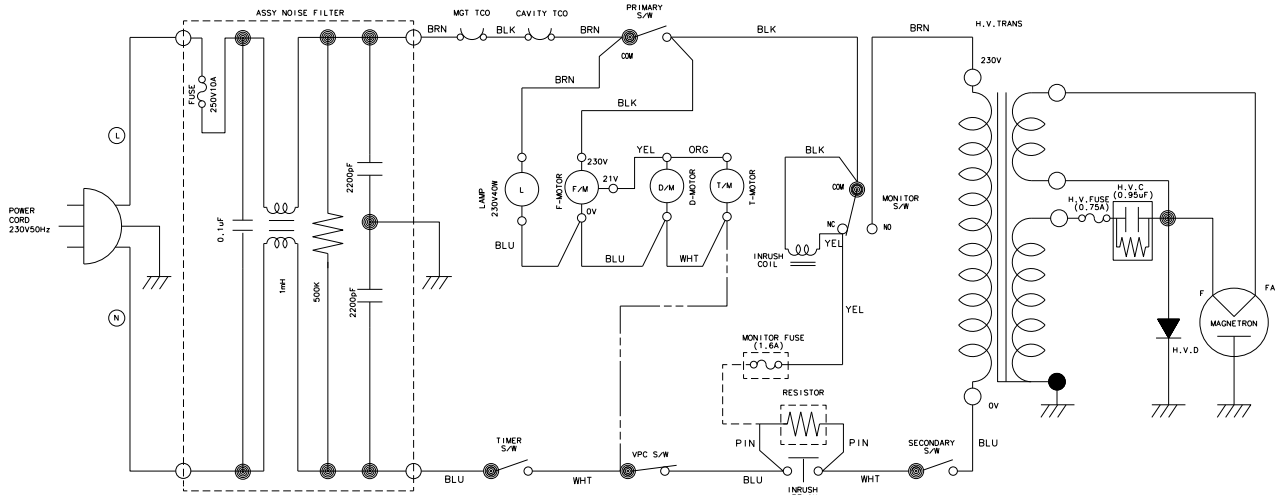


# 8. Schematic Diagrams

## 8-1 Schematic Diagrams



<p><b>NOTE</b></p> <ol style="list-style-type: none"> <li>1. INPUT : 230V</li> <li>2. DOOR : OPEN</li> <li>3. LAMP : ON</li> <li>4. ---: ASSY NOISE FILTER PATTERN</li> <li>5. — : TIMER SHORT</li> </ol>		<table border="1"> <thead> <tr> <th>SYMBOL</th> <th>COLOR</th> </tr> </thead> <tbody> <tr> <td>BRN</td> <td>BROWN</td> </tr> <tr> <td>RED</td> <td>RED</td> </tr> <tr> <td>BLU</td> <td>BLUE</td> </tr> <tr> <td>YEL</td> <td>YELLOW</td> </tr> <tr> <td>PIN</td> <td>PINK</td> </tr> <tr> <td>Y/G</td> <td>YELLOW/GREEN</td> </tr> <tr> <td>ORG</td> <td>ORANGE</td> </tr> <tr> <td>WHT</td> <td>WHITE</td> </tr> <tr> <td>BLK</td> <td>BLACK</td> </tr> <tr> <td>GRN</td> <td>GREEN</td> </tr> </tbody> </table>	SYMBOL	COLOR	BRN	BROWN	RED	RED	BLU	BLUE	YEL	YELLOW	PIN	PINK	Y/G	YELLOW/GREEN	ORG	ORANGE	WHT	WHITE	BLK	BLACK	GRN	GREEN
SYMBOL	COLOR																							
BRN	BROWN																							
RED	RED																							
BLU	BLUE																							
YEL	YELLOW																							
PIN	PINK																							
Y/G	YELLOW/GREEN																							
ORG	ORANGE																							
WHT	WHITE																							
BLK	BLACK																							
GRN	GREEN																							