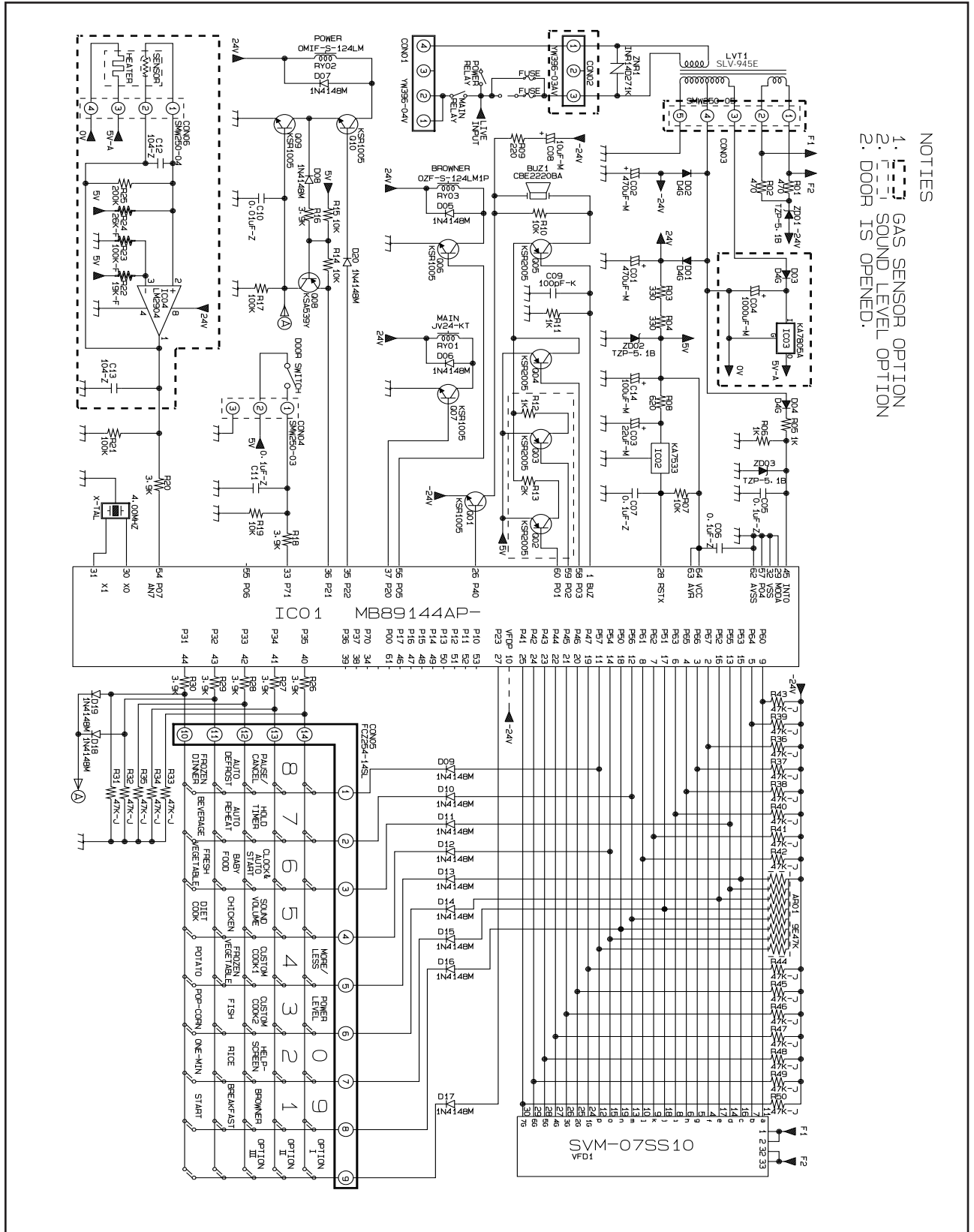


8. P.C.B Diagrams

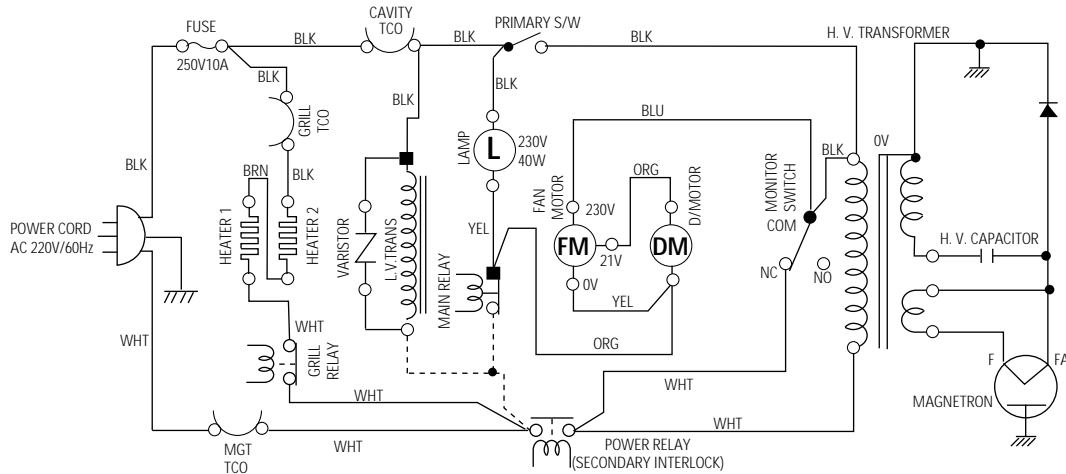
8-1 P.C.B Diagrams



9. Schematic Diagrams

9-1 Schematic Diagrams

WARNING
POWER MUST BE DISCONNECTED
BEFORE SERVICING THIS APPLIANCE



NOTE: CIRCUIT SHOWN WITH DOOR IS OPENED POSITION.
NOTE: FOR SERVICE REPLACEMENT USE 16 GA 105° C THERMOPLASTIC COVERED WIRE EXCEPT FOR HIGH VOLTAGE LEADS OR AS NOTED ON SPECIAL LEADS.

1. INPUT : 220V 50HZ
2. DOOR : OPEN
3. LAMP : ON
4. - - - : P.C.B PATTERN
5. ■ : P.C.B IN/OUT POINT

