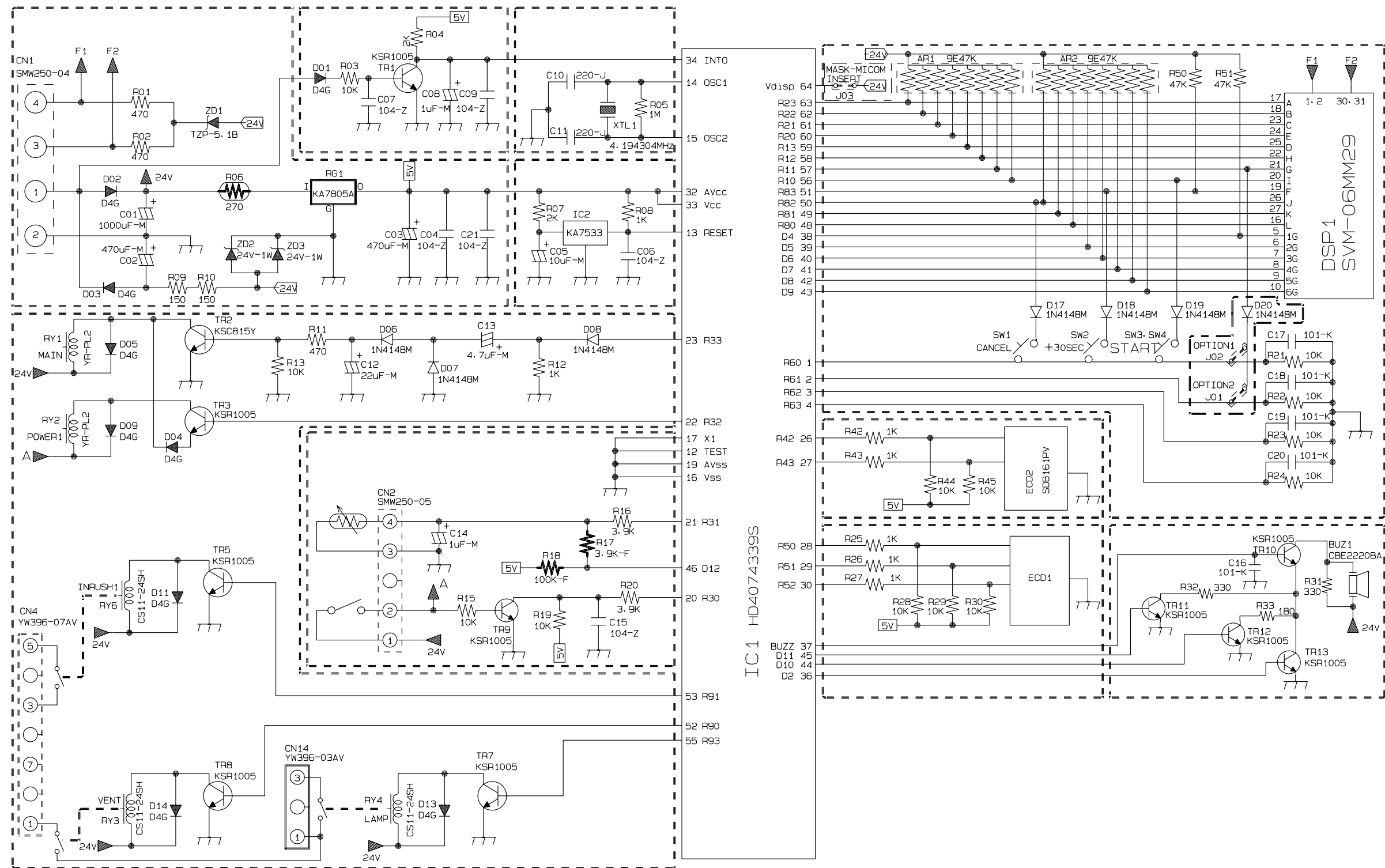


8. P.C.B Circuit Diagrams and Parts List

8-1 P.C.B Circuit Diagram (CM1019)



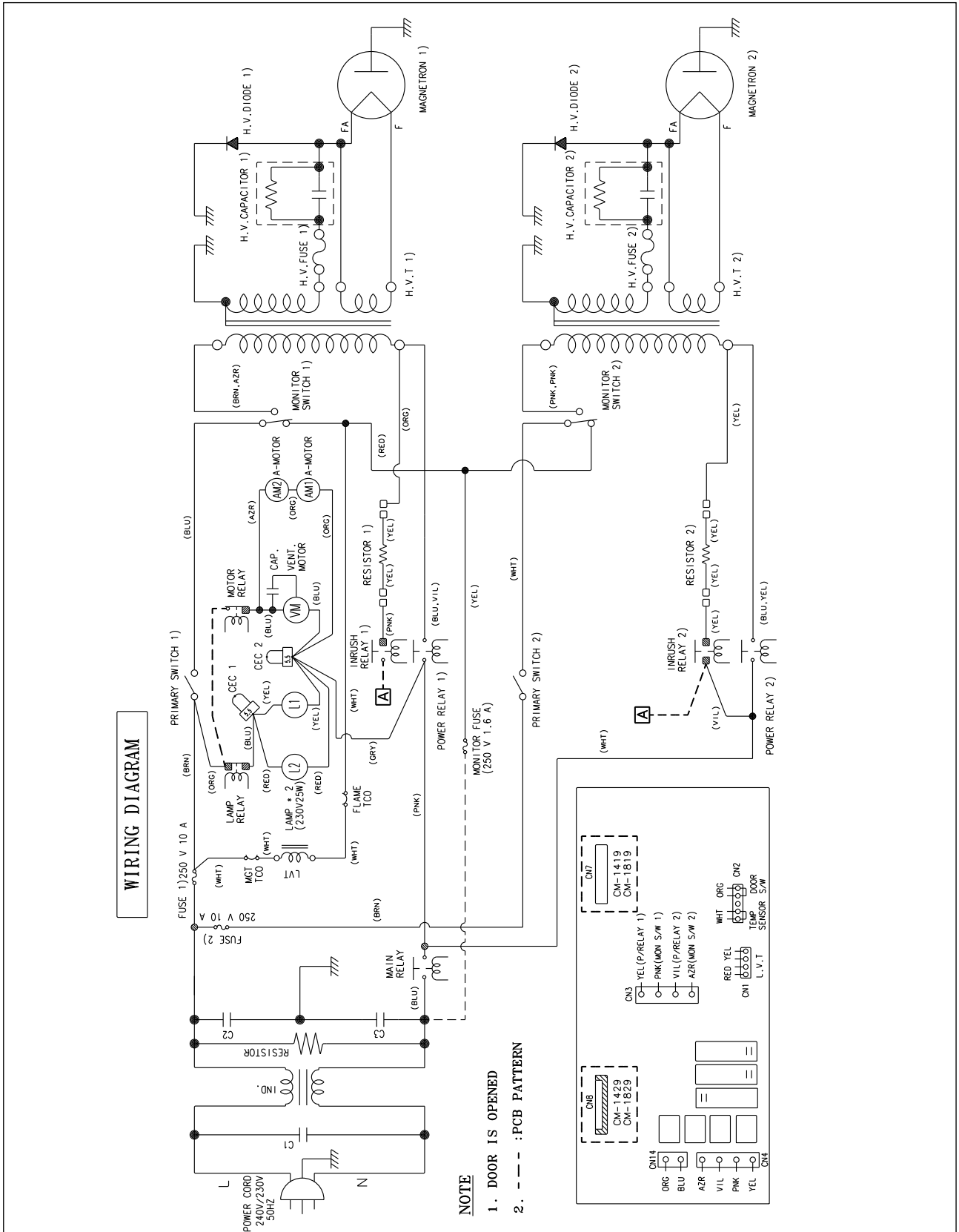
MODEL-OPTION			
MODEL	INSERT	DELETE	REMARK
CM1019		D20, J02	CM1819

정 현 수
1999. 1. 20

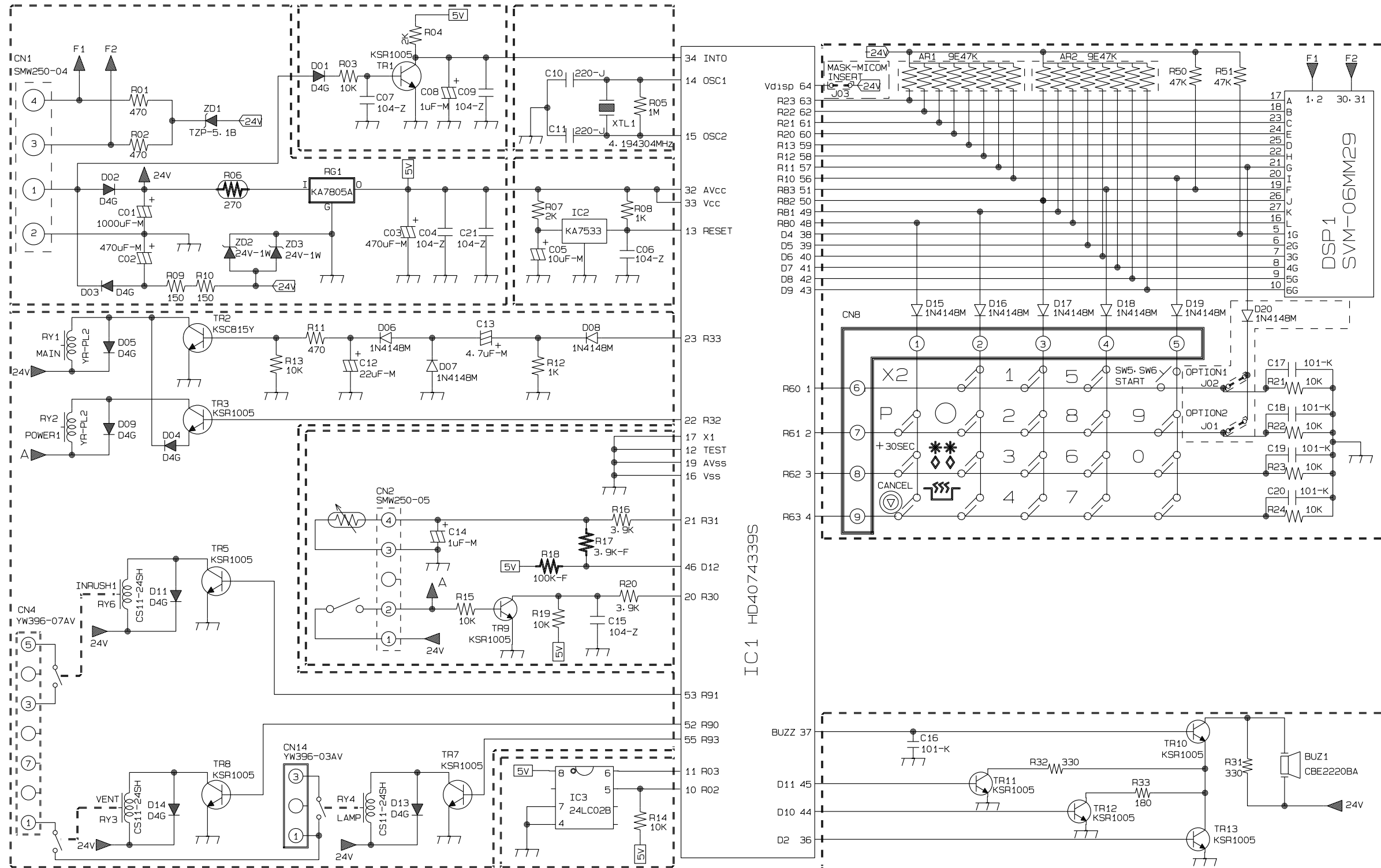
ELECTRIC-DIAGRAM
CM1019

9. Wiring Diagram & Operating Sequence

9-1 Wiring Diagram (CM-1819/1419/1829/1429)



8-2 P.C.B Circuit Diagram (CM1029)



MODEL-OPTION			
MODEL	INSERT	DELETE	REMARK
CM1029		D20, J02	CM1829

정 현 수
1999. 1. 20

ELECTRIC-DIAGRAM
CM1029