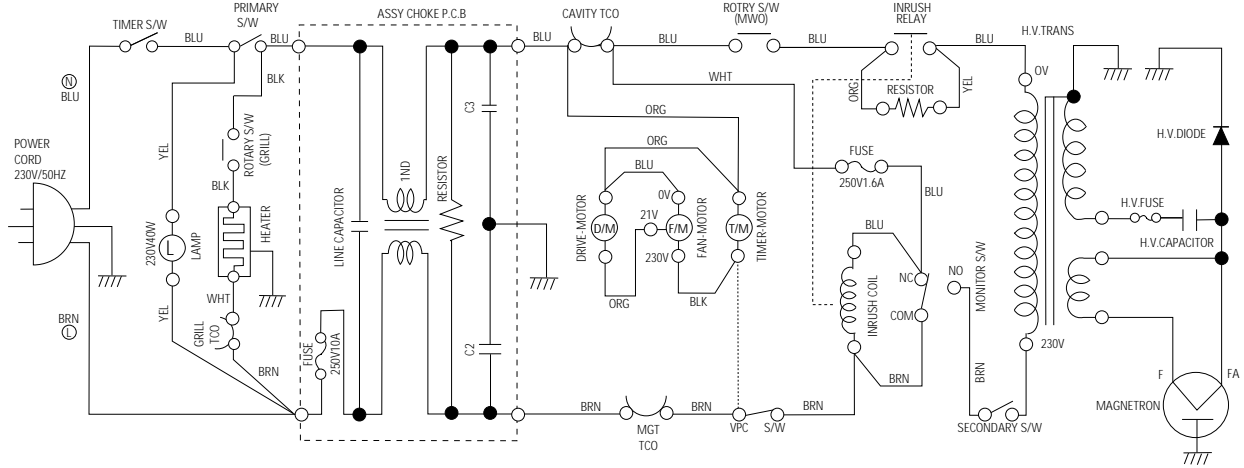


4. Schematic Diagrams

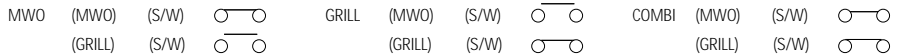
4-1 Schematic Diagrams



CONDITION OF OVEN

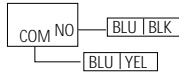
DOOR IS OPENED
COOK OFF

FUNCTION ROTARY S/W

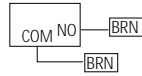


WIRING COLOR

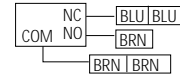
BRN : BROWN BLU : BLUE
WHT : WHITE ORG : ORANGE
RED : RED YEL : YELLOW
BLK : BLACK
Y/G : YELLOW GREEN



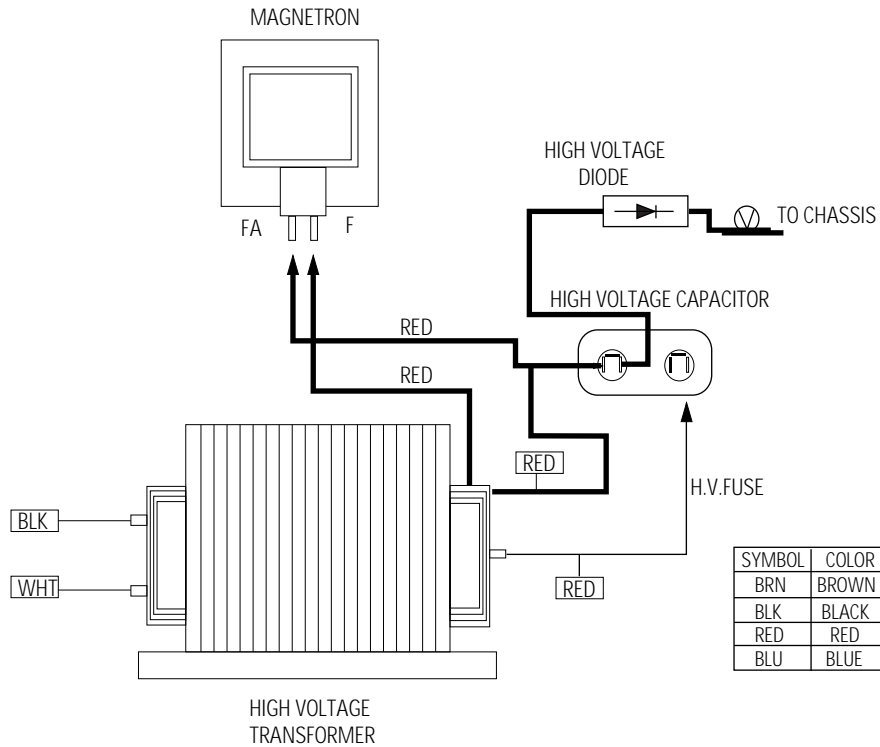
PRIMARY SWITCH



SECONDARY SWITCH



MONITOR SWITCH



SYMBOL	COLOR
BRN	BROWN
BLK	BLACK
RED	RED
BLU	BLUE