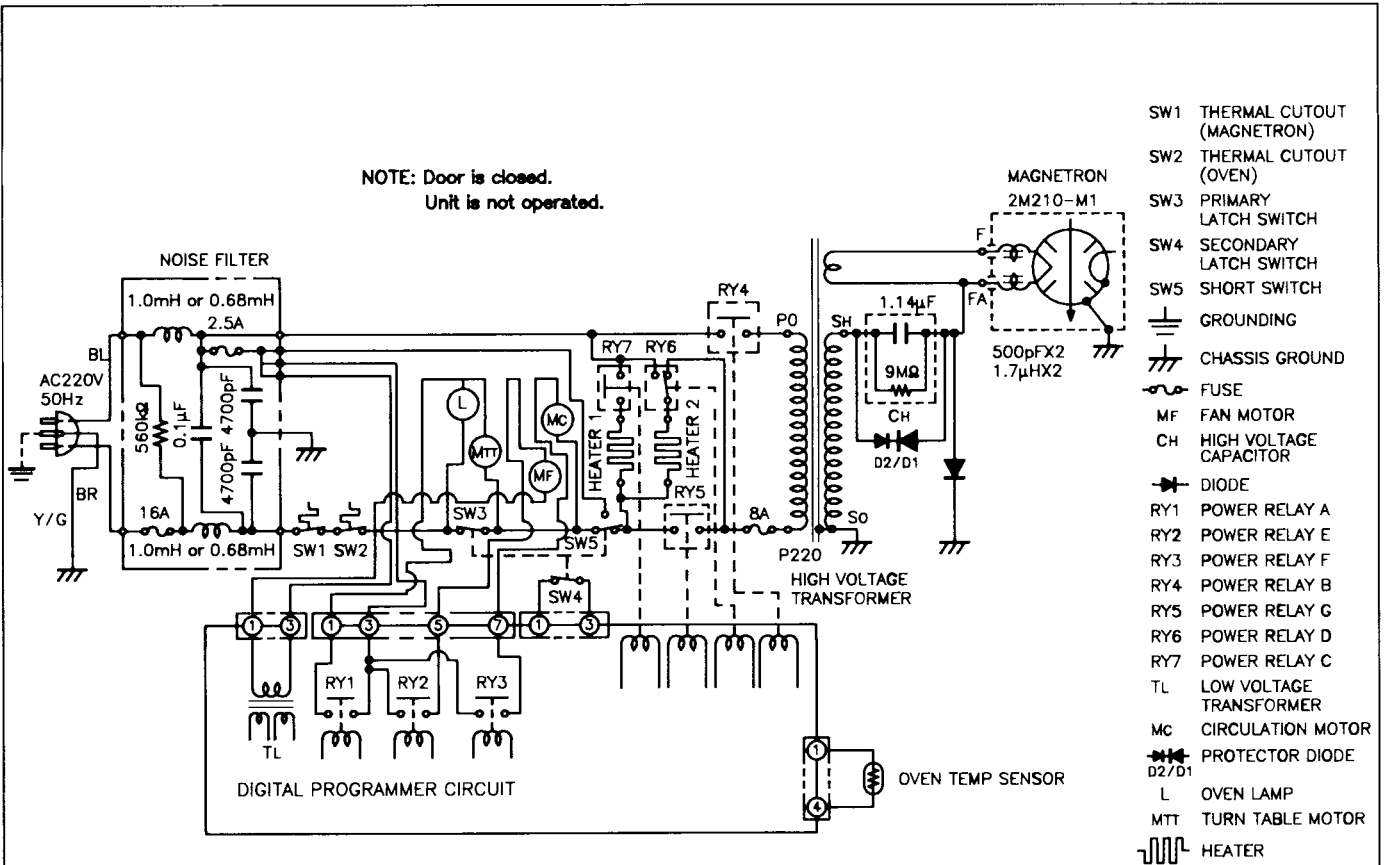


# SCHEMATIC DIAGRAM



## WIRING DIAGRAM

**NOTE:** \*When replacing, check the lead wire colour as shown.  
\*Colours shown by ( ) indicate colours of lead wire connector housing.

