

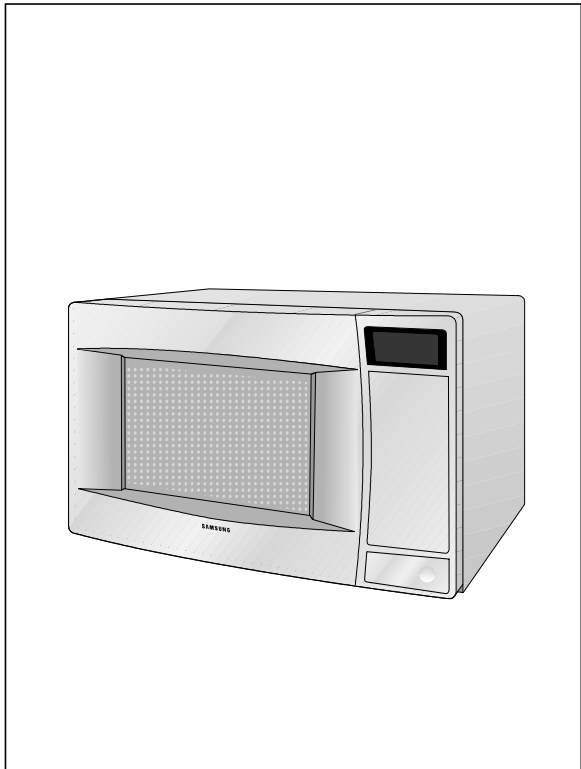


MICROWAVE OVEN

MW1150WA

SERVICE *Manual*

MICROWAVE OVEN



SEA

CONTENTS

- 1. Precaution
- 2. Specifications
- 3. Operating Instructions
- 4. Disassembly and Reassembly
- 5. Alignment and Adjustments
- 6. Trouble
- 7. Exploded Views and Parts List
- 8. PCB Diagrams
- 9. Schematic Diagrams

PRECAUTIONS TO BE OBSERVED BEFORE AND DURING SERVICING TO AVOID POSSIBLE EXPOSURE TO EXCESSIVE MICROWAVE ENERGY

- (a) Do not operate or allow the oven to be operated with the door open.
 - (b) Make the following safety checks on all ovens to be serviced before activating the magnetron or other microwave source, and make repairs as necessary:
 - (1) Interlock operation,
 - (2) proper door closing,
 - (3) seal and sealing surfaces (arcing, wear, and other damage),
 - (4) damage to or loosening of hinges and latches,
 - (5) evidence of dropping or abuse.
 - (c) Before turning on microwave power for any service test or inspection within the microwave generating compartments, check the magnetron, wave guide or transmission line, and cavity for proper alignment, integrity, and connections.
 - (d) Any defective or misadjusted components in the interlock, monitor, door seal, and microwave generation and transmission systems shall be repaired, replaced, or adjusted by procedures described in this manual before the oven is released to the owner.
 - (e) A Microwave leakage check to verify compliance with the Federal performance standard should be performed on each oven prior to release to the owner.
-

1. Precaution

Follow these special safety precautions. Although the microwave oven is completely safe during ordinary use, repair work can be extremely hazardous due to possible exposure to microwave radiation, as well as potentially lethal high voltages and currents.

1-1 Safety precautions (⚠)

1. All repairs should be done in accordance with the procedures described in this manual. This product complies with Federal Performance Standard 21 CFR Subchapter J (DHHS).
 2. Microwave emission check should be performed to prior to servicing if the oven is operative.
 3. If the oven operates with the door open :
Instruct the user not to operate the oven and contact the manufacturer and the center for devices and radiological health immediately.
 4. Notify the Central Service Center if the microwave leakage exceeds 5 mW/cm²
 5. Check all grounds.
 6. Do not power the MWO from a "2-prong" AC cord. Be sure that all of the built-in protective devices are replaced. Restore any missing protective shields.
 7. When reinstalling the chassis and its assemblies, be sure to restore all protective devices, including: nonmetallic control knobs and compartment covers.
 8. Make sure that there are no cabinet openings through which people -- particularly children -- might insert objects and contact dangerous voltages. Examples: Lamp hole, ventilation slots.
 9. Inform the manufacturer of any oven found to have emission in excess of 5 mW/cm² ,
Make repairs to bring the unit into compliance at no cost to owner and try to determine cause.

Instruct owner not to use oven until it has been brought into compliance.
- CENTRAL SERVICE CENTER**
10. Service technicians should remove their watches while repairing an MWO.
 11. To avoid any possible radiation hazard, replace parts in accordance with the wiring diagram. Also, use only the exact replacements for the following parts:
Primary and secondary interlock switches, interlock monitor switch.
 12. If the fuse is blown by the Interlock Monitor Switch: Replace all of the following at the same time: Secondary, door sensing switch and power relay, as well as the Interlock Monitor Switch. The correct adjustment of these switches is described elsewhere in this manual. Make sure that the fuse has the correct rating for the particular model being repaired.
 13. Design Alteration Warning:
Use exact replacement parts only, i.e., only those that are specified in the drawings and parts lists of this manual. This is especially important for the interlock switches, described above. Never alter or add to the mechanical or electrical design of the MWO. Any design changes or additions will void the manufacturer's warranty.10.Always unplug the unit's AC power cord from the AC power source before attempting to remove or reinstall any component or assembly.
 14. Never defeat any of the B+ voltage interlocks. Do not apply AC power to the unit (or any of its assemblies) unless all solid-state heat sinks are correctly installed.
 15. Some semiconductor ("solid state") devices are easily damaged by static electricity. Such components are called Electrostatically Sensitive Devices (ESDs). Examples include integrated circuits and field-effect transistors. Immediately before handling any semiconductor components or assemblies, drain the electrostatic charge from your body by touching a known earth ground.
 16. Always connect a test instrument's ground lead to the instrument chassis ground *before* connecting the positive lead; always remove the instrument's ground lead last.
-

1-2 Special Servicing Precautions (Continued)

17. When checking the continuity of the switches or transformer, always make sure that the power is OFF, and one of the lead wires is disconnected.
18. Components that are critical for safety are indicated in the circuit diagram by shading, ⚠ or ⚡.
19. Use replacement components that have the same ratings, especially for flame resistance and dielectric strength specifications. A replacement part that does not have the same safety characteristics as the original might create shock, fire or other hazards.

NOTE : Connect the oven to a 20A. When connecting the oven to a 15A, make sure that circuit breaker can operate.

1-3 Special High Voltage Precautions

1. High Voltage Warning
Do not attempt to measure any of the high voltages -- this includes the filament voltage of the magnetron. High voltage is present during any cook cycle.

Before touching any components or wiring, always unplug the oven and discharge the high voltage capacitor (See Figure 1-1)
2. The high-voltage capacitor remains charged about 30 seconds after disconnection. Short the negative terminal of the high-voltage capacitor to the oven chassis. (Use a screwdriver.)
3. High voltage is maintained within specified limits by close-tolerance, safety-related components and adjustments. If the high voltage exceeds the specified limits, check each of the special components.

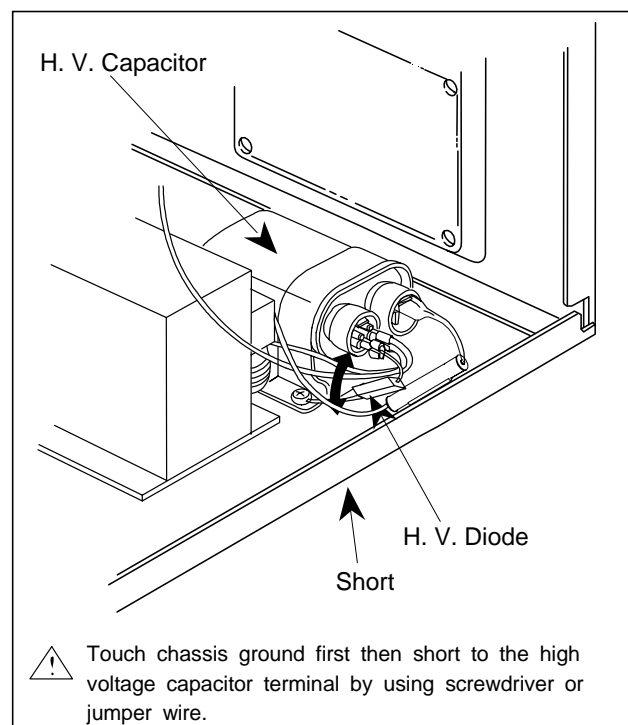


Fig. 1-1 Discharging High Voltage Capacitor

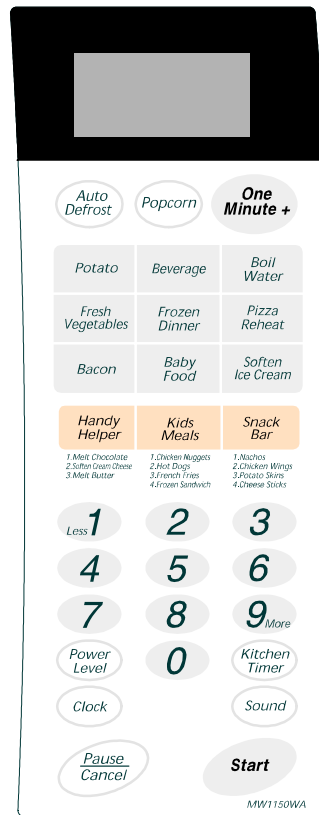
2. Specifications

2-1 Table of Specifications

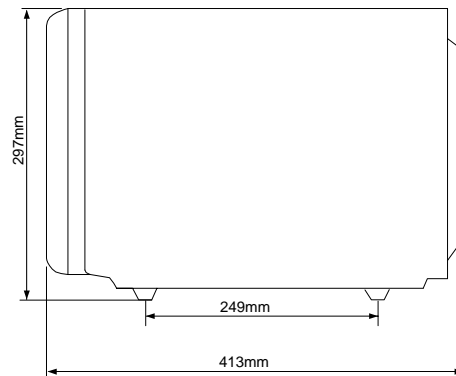
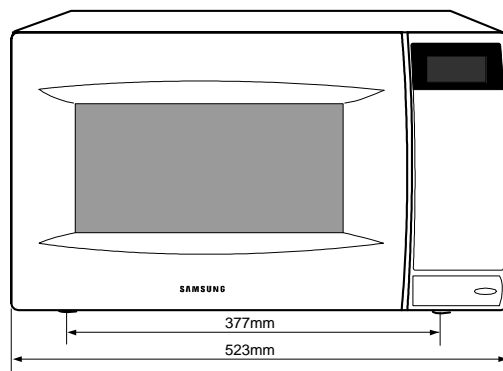
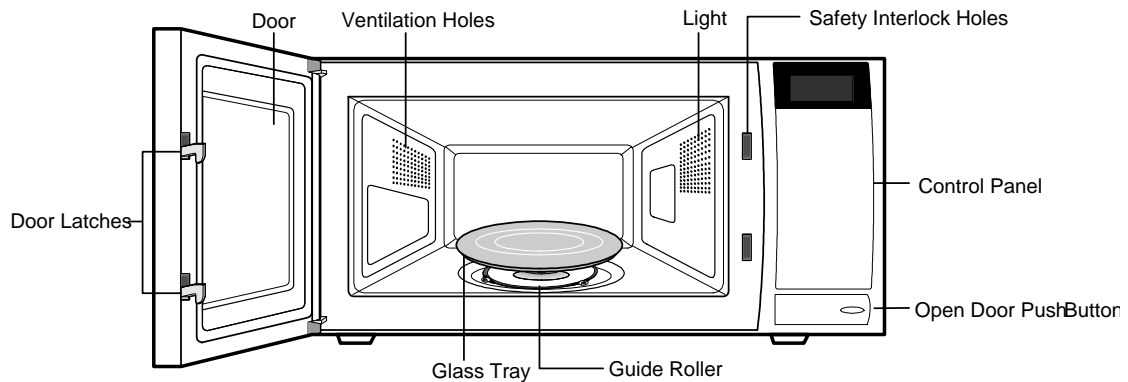
TIMER	99 MINUTES 99SECONDS
POWER SOURCE	120V 60Hz, AC
POWER CONSUMPTION	MICROWAVE : 1,550W
OUTPUT POWER	FROM 110W 1100W (10 LEVEL POWER)
OPERATING FREQUENCY	2,450MHz
MAGNETRON	OM75PH(31)ESS
COOLING METHOD	COOLING FAN MOTOR
OUTSIDE DIMENSIONS	20 ^{19/32} (W) x 11 ^{45/64} (H) x 16 ^{4/1} (D)
NET WEIGHT	33 lbs.
SHIPPING WEIGHT	36 lbs.

3. Operating Instructions

3-1 Control Panel



3-2 Features & External Views



4. Disassembly and Reassembly

4-1 Replacement of Magnetron, Motor Assembly and Lamp

Remove the magnetron including the shield case, permanent magnet, choke coils and capacitors (all of which are contained in one assembly).

1. Disconnect all lead wires from the magnetron and lamp.
2. Remove a screw securing air cover.
3. Remove the air cover.
4. Remove screws securing the magnetron to the wave guide.
5. Take out the magnetron very carefully.
6. Remove tow from the back panel of fan motor assembly.
7. Take out the fan motor assembly.
8. Remove the oven lamp by rotating to pull out from hole of air cover.

NOTE1: When removing the magnetron, make sure that its antenna does not hit any adjacent parts, or it may be damaged.

NOTE2: When replacing the magnetron, be sure to remount the magnetron gasket in the correct position and make sure the gasket is in good condition.

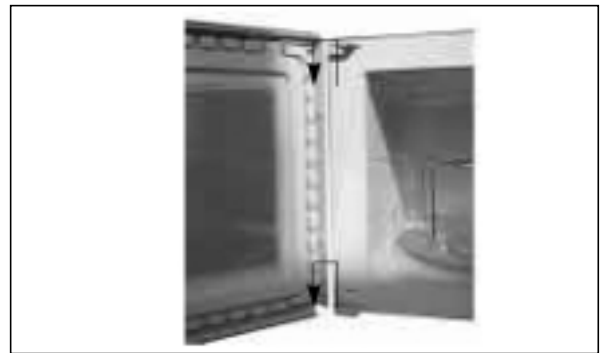
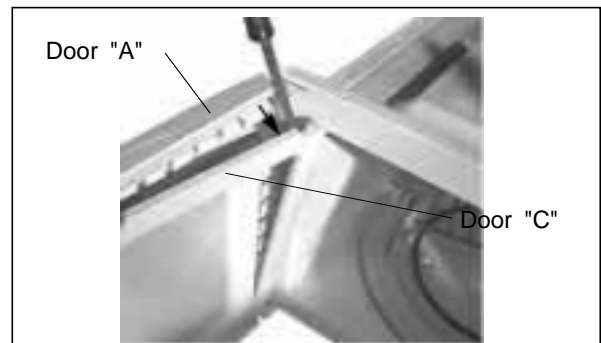
4-2 Replacement of High Voltage Transformer

1. Discharge the high voltage capacitor.
 2. Disconnect all the leads.
 3. Remove the mounting bolts.
 4. Reconnect the leads correctly and firmly.
-

4-3 Replacement of Door Assembly

4-3-1 Removal of Door "C"

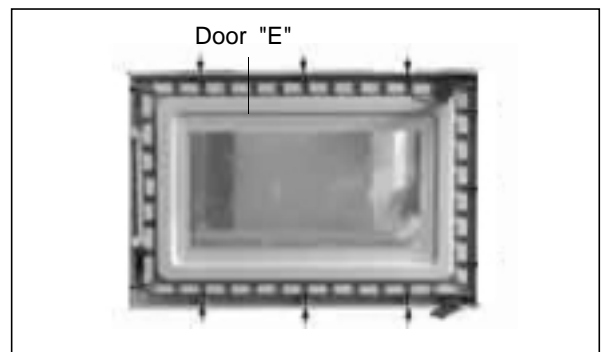
Insert flat screw driver into the gap between Door "A" and Door "C" to remove Door "C". Be careful when handling Door "C" because it is fragile. Then remove the door assembly.



4-3-2 Removal of Door "E"

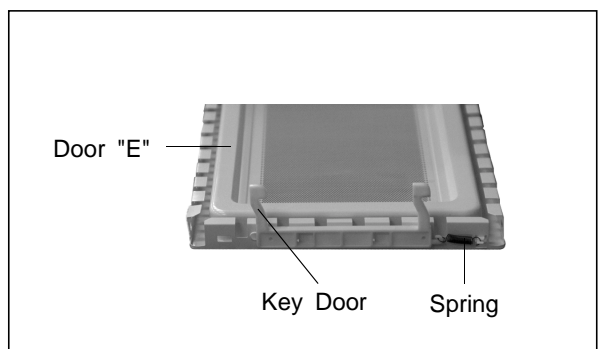
Following the procedure as shown in the figure, insert and bend a thin metal plate between Door "E" and Door "A" until you hear the 'tick' sound.

1. Insertion depth of the thin metal plate should be 0.1mm or less.



4-3-3 Removal of Key Door & Spring

Remove pin hinge from Door "E"
Detach spring from Door "E" and key door.



4-3-4 Reassembly Test

After replacement of the defective component parts of the door, reassemble it and follow the instructions below for proper installation and adjustment so as to prevent an excessive microwave leakage.

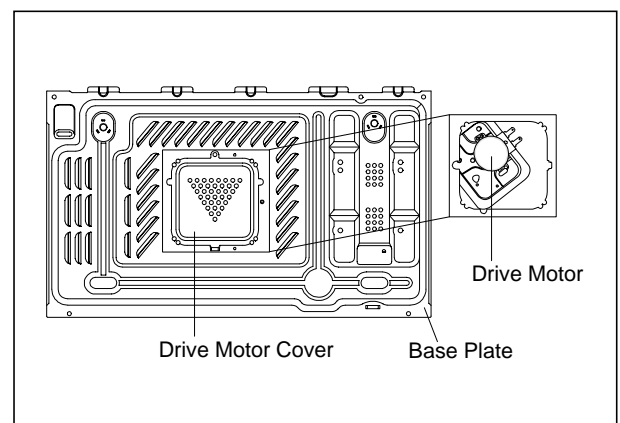
1. When mounting the door to the oven, be sure to adjust the door parallel to the bottom line of the oven face plate by moving the upper hinge and lower hinge in the direction necessary for proper alignment.
2. Adjust so that the door has no play between the inner door surface and oven front surface. If the door assembly is not mounted properly, microwave energy may leak from the space between the door and oven.
3. Do the microwave leakage test.

4-4 Replacement of Fuse

1. Disconnect the oven from the power source.
2. When 20A fuse blows out by the operation of interlock monitor switch failure, replace the primary interlock switch, door sensing switch, monitor switch and power relay.
3. When the above three switches operate properly, check if any other part such as the control circuit board, blower motor or high voltage transformer is defective.

4-5 Replacement of Drive Motor

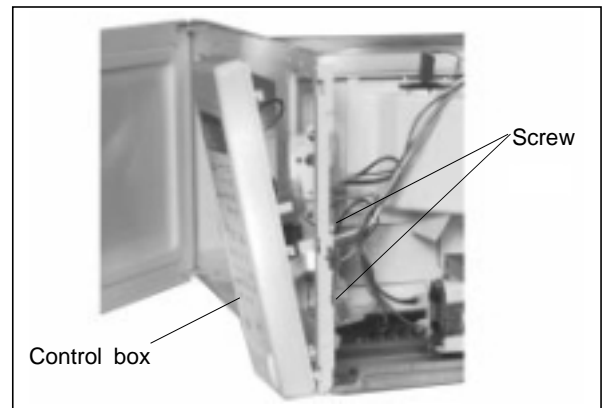
1. Take out the glass tray, guide roller from cavity.
2. Turn the oven upside down to replace the drive motor.
3. Remove a screw securing the drive motor cover or disconnect the drive motor cover from base plate by nipper.
4. Disconnect all the lead wires from the drive motor.
5. Remove screws securing the drive motor to the cavity.
6. Remove the drive motor and the coupler.
7. When replacing the drive motor, be sure to remount it in the correct position with the coupler.
8. Connect all the leads to the drive motor.
9. Screw the drive motor cover to the base plate with a screw driver.



4-6 Replacement of Control Circuit Board

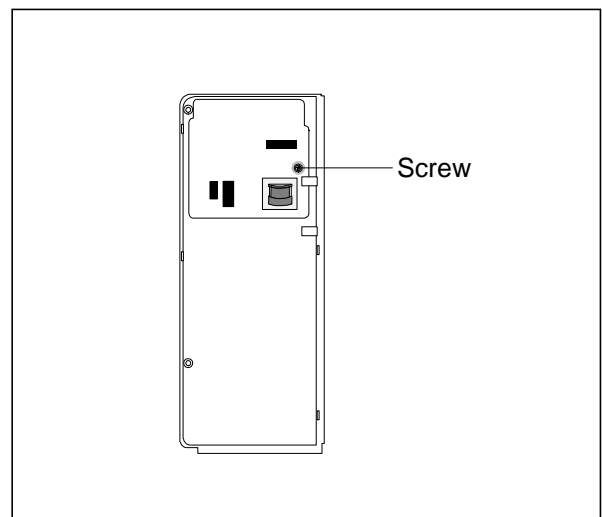
4-6-1 Removal of Control Box Assembly

1. Be sure to ground any static electric charge in your body and never touch the control circuit.
2. Disconnect the connectors from the control circuit board.
3. Remove screws securing the control box assembly.
4. Remove the screw securing the ground tail of the keyboard.



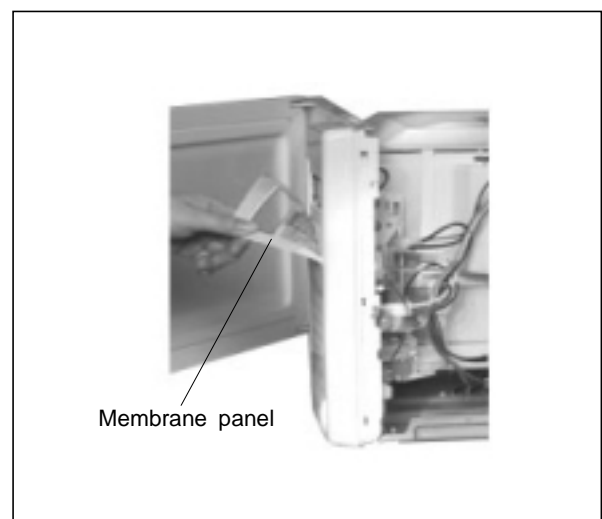
4-6-2 Removal of P.C.B Assembly

1. Pull the lever end of the plastic fastener and remove the Flexible Printed Circuit(FPC) of membrane panel.
2. Remove screws securing the control circuit board.
3. Right up the control circuit board from the Ass'y control box.
4. When reconnecting the FPC connector, make sure that the holes on the connector are properly engaged with the hooks on the Plastic Fastener.



4-6-3 Removal of Window Display & Membrane Panel

1. Window display should not be disassembled as its mounting tabs will be broken. If repair work is difficult, replace with Ass'y control panel.
2. The membrane key board is attached to the escutcheon base with doublefaced adhesive tape. Therefore, applying hot air such as using of hair dryer is recommended for smoother removal.
3. When installing new membrane key board, make sure that the surface of escutcheon base is cleaned sufficiently so that any problems (shorted contacts or uneven surface) can be avoided.



5. Alignment and Adjustments

PRECAUTION

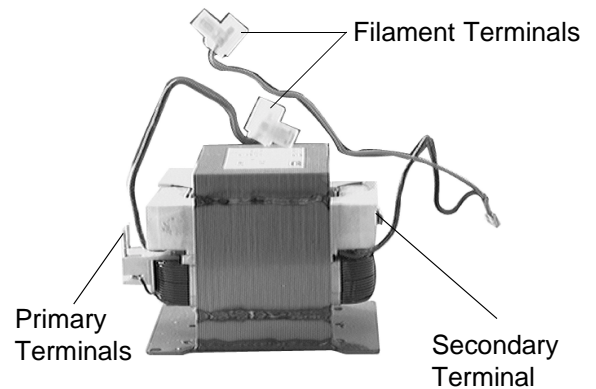
1. High voltage is present at the high voltage terminals during any cook cycle.
2. It is neither necessary nor advisable to attempt measurement of the high voltage.
3. Before touching any oven components or wiring, always unplug the oven from its power source and discharge the high voltage capacitor.

5-1 High Voltage Transformer

1. Remove connectors from the transformer terminals and check continuity.
2. Normal resistance readings are as follows:

	SHV-U111CA
Secondary	$89\Omega \pm 5\%$
Filament	Shows Continuity
Primary	$0.31\Omega \pm 5\%$

(Room temperature = 20°C)



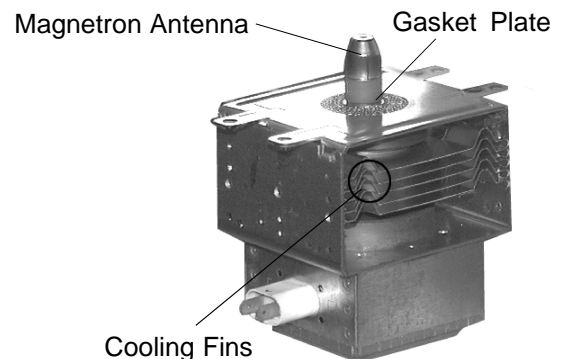
5-2 Low Voltage Transformer

1. The low voltage transformer is located on the control circuit board.
2. Remove the low voltage transformer from the PCB Ass'y and check continuity.
3. Normal resistor reading is shown in the table.

Terminals	Resistance
	SLV-4290U
1~2(Input)	379Ω
3~4(Output7V)	10.23Ω
5~6(Output17V)	31.91Ω

5-3 Magnetron

1. Continuity checks can indicate only an open filament or a shorted magnetron. To diagnose an open filament or shorted magnetron :
2. Isolate the magnetron from the circuit by disconnecting its leads.
3. A continuity check across the magnetron filament terminals should indicate one ohm or less.
4. A continuity check between each filament terminal and magnetron case should read open.



5-4 High Voltage Capacitor

1. Check continuity of the capacitor with the meter set at the highest resistance scale.
2. Once the capacitor is charged, a normal capacitor shows continuity for a short time, and then indicates $9M\Omega$.
3. A shorted capacitor will show continuous continuity.
4. An open capacitor will show constant $9M\Omega$.
5. Resistance between each terminal and chassis should read infinite.

5-5 High Voltage Diode

1. Isolate the diode from the circuit by disconnecting its leads.
2. With the ohm-meter set at the highest resistance scale, measure across the diode terminals. Reverse the meter leads and read the resistance. A meter with 6V, 9V or higher voltage batteries should be used to check the front-to back resistance of the diode (otherwise an infinite resistance may be read in both directions). The resistance of a normal diode will be infinite in one direction and several hundred $K\Omega$ in the other direction.

5-6 Main Relay and Power Control Relay

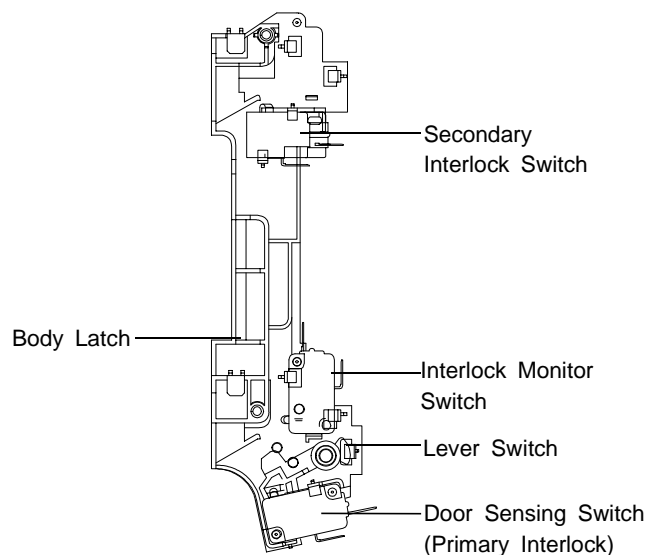
1. The relays are located on the PCB Ass'y. Isolate them from the main circuit by disconnecting the leads.
2. Operate the microwave oven with a water load in the oven. Set the power level set to high.
3. Check continuity between terminals of the relays after the start pad is pressed.

5-7 Adjustment of Secondary Switch, Door Sensing Switch and Monitor Switch

Precaution

For continued protection against radiation hazard, replace parts in accordance with the wiring diagram and be sure to use the correct part number for the following switches: Primary and secondary interlock switches, and the interlock monitor switch (replace all together). Then follow the adjustment procedures below. After repair and adjustment, be sure to check the continuity of all interlock switches and the interlock monitor switch.

1. When mounting Primary switch and Interlock Monitor switch to Latch Body, consult the figure.
2. No specific adjustment during installation of Primary switch Secondary switch and Monitor switch to the latch body is necessary.
3. When mounting the Latch Body to the oven assembly, adjust the Latch Body by moving it so that the oven door will not have any play in it. Check for play in the door by pulling the door assembly. Make sure that the latch keys move smoothly after adjustment is completed. Completely tighten the screws holding the Latch Body to the oven assembly.
4. Reconnect to Monitor switch and check the continuity of the monitor circuit and all latch switches again by following the components test procedures.
5. Confirm that the gap between the switch housing and the switch actuator is no more than 0.5mm when door is closed.



	Door Open	Door Closed
Secondary Interlock switch	∞	0
Monitor switch (COM-NC)	0	∞
Door Sensing switch (Primary Interlock)	∞	0

5-8 Output Power of Magnetron

CAUTION
MICROWAVE RADIATION

PERSONNEL SHOULD NOT ALLOW EXPOSURE TO MICROWAVE RADIATION FROM MICROWAVE GENERATOR OR OTHER PARTS CONDUCTING MICROWAVE ENERGY.

The output power of the magnetron can be measured by performing a water temperature rise test.

Equipment needed :

* Two 1-liter cylindrical borosilicate glass vessel (Outside diameter 190 mm)

* One glass thermometer with mercury column

NOTE: Check line voltage under load. Low voltage will lower the magnetron output. Make all temperature and time tests with accurate equipment.

1. Fill the one liter glass vessel with water.
2. Stir water in glass vessel with thermometer, and record glass vessel's temperature ("T1", 10±1°C).
3. After moving the water into another glass vessel, place it in the center of the cooking tray. Set the oven to high power and operate for 41seconds exactly. (3 seconds included as a holding time of magnetron oscillation:)
4. When heating is finished, stir the water again with the thermometer and measure the temperature ("T2").
5. Subtract T1 from T2. This will give you the water temperature rise. (ΔT)
6. The output power is obtained by the following formula;

$$\text{Output Power} = \frac{4.187 \times 1000 \times \Delta T + 0.55 \times M_c \times (T_2 - T_0)}{38}$$

38 : Heating Time (sec)

4.187 : Coefficient for Water

1000 : Water (cc)

ΔT : Temperature Rise (T1-T2)

T₀ : Room Temperature

M_c : Cylindrical borosilicate glass weight

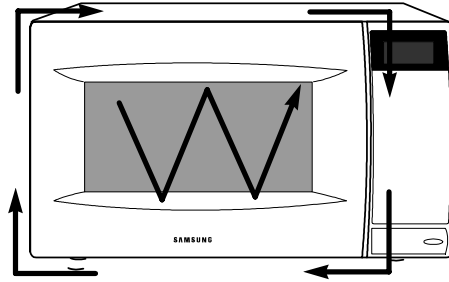
7. Normal temperature rise for this model is 9.3°C to 10.5°C at 'HIGH'.

NOTE 1: Variations or errors in the test procedure will cause a variance in the temperature rise.

Additional power test should be made if temperature rise is marginal.

5-10 Procedure for Measurement of Microwave Energy Leakage

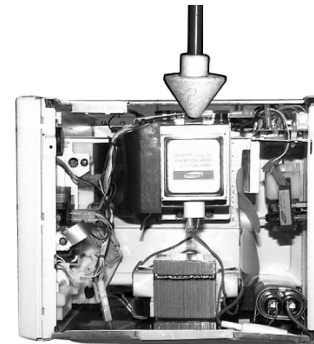
- 1) Pour 275 ± 15 cc of $20 \pm 5^\circ\text{C}$ ($68 \pm 9^\circ\text{F}$) water in a beaker which is graduated to 600cc, and place the beaker in the center of the oven.
- 2) Start to operate the oven and measure the leakage by using a microwave energy survey meter.
- 3) Set survey meter with dual ranges to 2,450MHz.
- 4) When measuring the leakage, always use the 2 inch spacer cone with the probe. Hold the probe perpendicular to the cabinet door. Place the spacer cone of the probe on the door and/or cabinet door seam and move along the seam, the door viewing window and the exhaust openings moving the probe in a clockwise direction at a rate of 1 inch/sec. If the leakage testing of the cabinet door seam is taken near a corner of the door, keep the probe perpendicular to the areas making sure that the probe end at the base of the cone does not get closer than 5cm to any metal. If it gets closer than 5cm, erroneous readings may result.
- 5) Measured leakage must be less than $4\text{mW}/\text{cm}^2$, after repair or adjustment.



Maximum allowable leakage is $5\text{mW}/\text{cm}^2$.
 $4\text{mW}/\text{cm}^2$ is used to allow for measurement and meter accuracy

5-11 Check for Microwave Leakage

1. Remove the outer panel.
2. Pour 275 ± 15 cc of $20 \pm 5^\circ\text{C}$ ($68 \pm 9^\circ\text{F}$) water in a beaker which is graduated to 600cc, and place the beaker in the center of the oven.
3. Start the oven at the highest power level.
4. Set survey meter dual ranges to 2,450MHz.
5. Using the survey meter and spacer cone as described above, measure near the opening of magnetron, the surface of the air guide and the surface of the wave guide as shown in the following photo.(but avoid the high voltage components.) The reading should be less than $4\text{mW}/\text{cm}^2$.



5-12 Note on Measurement

- 1) Do not exceed the limited scale.
- 2) The test probe must be held on the grip of the handle, otherwise a false reading may result when the operator's hand is between the handle and the probe.
- 3) When high leakage is suspected, do not move the probe horizontally along the oven surface; this may cause damage to the probe.
- 4) Follow the recommendation of the manufacturer of the microwave energy survey meter.

5-13 Leakage Measuring Procedure

5-13-1 Record keeping and notification after measurement

- 1) After adjustment and repair of a radiation preventing device, make a repair record for the measured values, and keep the data.
- 2) If the radiation leakage is more than $4\text{mW}/\text{cm}^2$ after determining that all parts are in good condition, functioning properly and the identical parts are replaced as listed in this manual notify that fact to ;

CENTRAL SERVICE CENTER

- 5-13-2 At least once a year have the microwave energy survey meter checked for accuracy by its manufacturer.
-

6. Troubleshooting

PRECAUTION

1. CHECK GROUNDING BEFORE CHECKING FOR TROUBLE.
2. BE CAREFUL OF THE HIGH VOLTAGE CIRCUIT.
3. DISCHARGE THE HIGH VOLTAGE CAPACITOR.
4. WHEN CHECKING THE CONTINUITY OF THE SWITCHES OR TRANSFORMER, DISCONNECT ONE LEAD WIRE FROM THESE PARTS AND THEN CHECK CONTINUITY WITHOUT THE POWER SOURCE ON. TO DO OTHERWISE MAY RESULT IN A FALSE READING OR DAMAGE TO YOUR METER.
5. DO NOT TOUCH ANY PART OF THE CIRCUIT OR THE CONTROL CIRCUIT BOARD, SINCE STATIC DISCHARGE MAY DAMAGE IT.
ALWAYS TOUCH GROUND WHILE WORKING ON IT TO DISCHARGE ANY STATIC CHARGE BUILT UP.

6-1 Electrical Malfunction

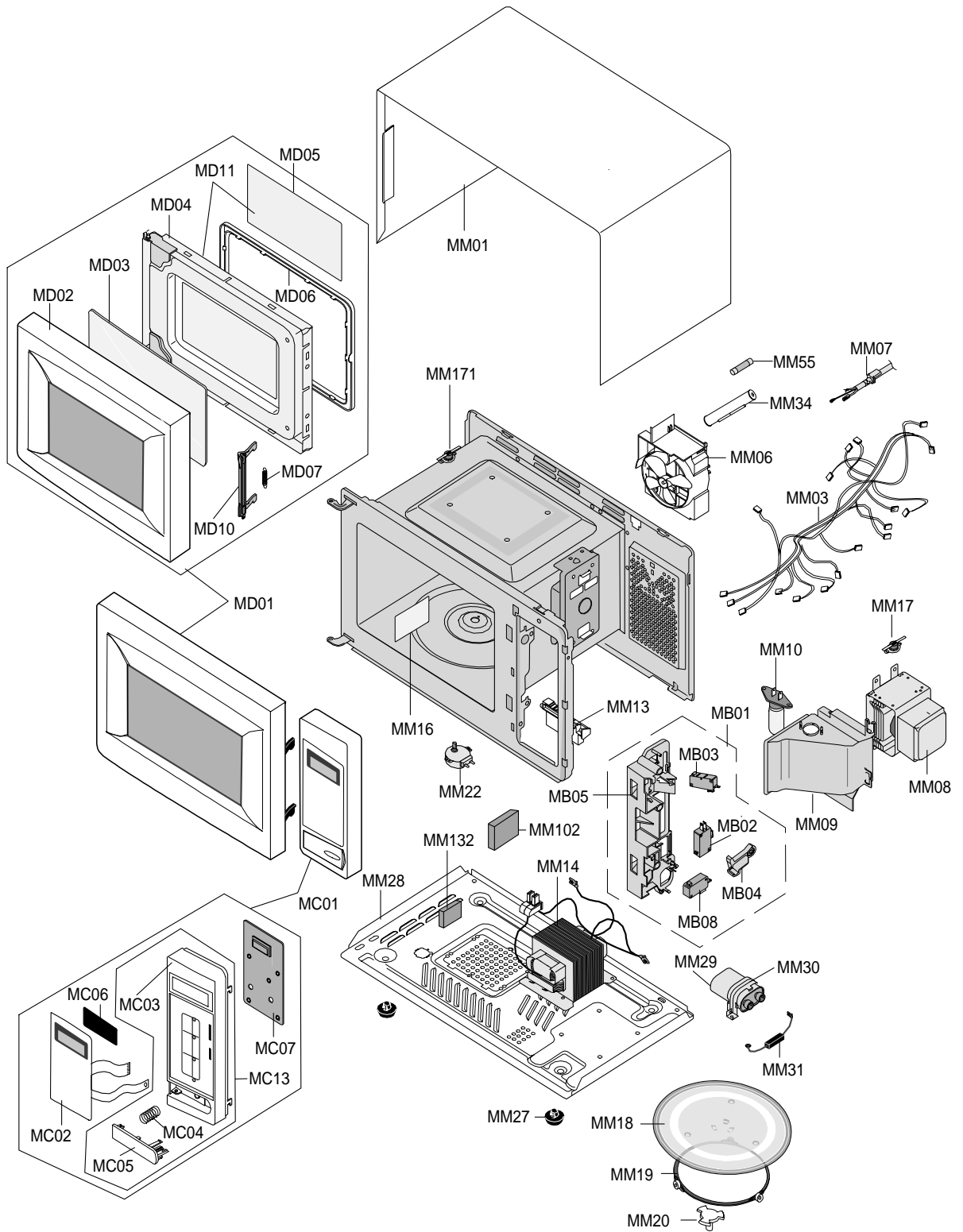
SYMPTOM	CAUSE	CORRECTIONS
Oven is dead. Fuse is OK. No display and no operation at all .	<ol style="list-style-type: none"> 1. Open or loose lead wire harness 2. Open thermal cutout (Magnetron) 3. Open low voltage transformer 4. Defective Ass'y PCB 	<p>Check fan motor when thermal cutout is defective. Check Ass'y PCB when LVT is defective.</p>
No display and no operation at all. Fuse is blown.	<ol style="list-style-type: none"> 1. Shorted lead wire harness 2. Defective Secondary latch switch (NOTE 1) 3. Defective monitor switch (NOTE1) 4. Shorted HVCapacitor 5. Shorted HVTransformer (NOTE2) <p>NOTE 1: All of these switches must be replaced at the same time. (refer to adjustment instructions) Check continuity of power relay contacts and if it has continuity, replace power relay also.</p> <p>NOTE 2: When HVTransformer is replaced, check diode and magnetron also.</p>	<p>Check adjustment of , Secondary interlock monitor, power relay, door sensing switch.</p>
Oven does not accept key input (Program)	<ol style="list-style-type: none"> 1. Key input is not in-Sequence 2. Open or loose connection of membrane key pad to Ass'y PCB 3. Shorted or open membrane panel 4. Defective Ass'y PCB 	<p>Refer to operation procedure.</p> <p>Replace PCB main.</p>
Timer starts countdown but no microwave oscillation. (No heat while oven lamp and fan motor turn on.)	<ol style="list-style-type: none"> 1. Off-alignment of latch switches 2. Open or loose connection of high voltage circuit especially magnetron filament circuit <p>NOTE: Large contact resistance will bring lower magnetron filament voltage and cause magnetron to lower output and/or intermittent oscillation.</p> <ol style="list-style-type: none"> 3. Defective high voltage components H.V.Transformer H.V. Capacitor H.V.Diode, H.V.Fuse Magnetron 4. Open or loose wiring of power relay 5. Defective Secondary latch switch 6. Defective power relay or Ass'y PCB 	<p>Adjust door and latch switches.</p> <p>Check high voltage component according to component test procedure and replace if it is defective.</p> <p>Replace PCB main.</p>

6-1 Electrical Maltunction(continvded)

SYMPTOM	CAUSE	CORRECTIONS
Oven lamp and fan motor turn on	<ol style="list-style-type: none"> 1. Misadjustment or loose wiring of secondary latch switch 2. Defective Secondary latch switch 	Adjust door and latch switches.
Oven can program but timer does not start.	<ol style="list-style-type: none"> 1. Open or loose wiring of secondary interlock switch 2. Off-alignment of Secondary interlock 3. Defective secondary interlock S/W 	Adjust door and interlock switches.
Microwave output is low;. Oven takes longer time to cook food.	<ol style="list-style-type: none"> 1. Decrease in power source voltage. 2. Open or loose wiring of magnetron filament circuit. (Intermittent oscillation)) 3. Aging of magnetron 	Consult electrician.
Fan motor turns on when plugged in	Loose wiring of door sensing switch	Check wire of door sensing switch.
Oven does not operate and return to the plugged in mode.	Defective Ass'y PCB	Replace PCB main.
Loud buzzing noise can be heard.	<ol style="list-style-type: none"> 1. Loose fan and fan motor 2. Loose screws on H.V.Transformer 3. Shorted H.V.Diode 	Tighten screws of fan motor. Tighten screws of H.V.Transformer. Replace H.V.Diode.
Turntable motor does not rotate.	<ol style="list-style-type: none"> 1. Open or loose wiring of turntable motor. 2. Defective turntable motor. 	Replace turntable motor.
Oven stops operation during cooking	<ol style="list-style-type: none"> 1. Open or loose wiring of Secondary interlock switch 2. Operation of thermal cutout(Magnetron) 	Adjust door and latch switches.
Sparks	<ol style="list-style-type: none"> 1. Metallic ware or cooking dishes touching on the oven wall. 2. Ceramic ware trimmed with gold or silver powder also causes sparks. 	Inform the customer. Do not use any type of cookware with metallic trimming.
Uneven cooking	Uneven intensity of microwave due to its characteristics.	Wrap thinner parts of the food with aluminum foil. Use plastic wrap or cover with a lid. Stir once or twice while cooking foods such as soup, cocoa, or milk.
Noise from the turntable motor when it starts to operate.	Noise may result from the motor.	Replace turntable motor.

7. Exploded Views and Parts List

7-1 Exploded Views



7-2 Main Parts List

No.	Code No.	Description	Specification	Q'ty	Remark
MB01	DE96-00115D	ASSY BODY LATCH	MW1255WA,NC2000(BUTTON) 1200W	1	
MB02	3405-001033	SWITCH-MICRO	125/250VAC,16A,200GF,SPST-NC	1	MONITOR
MB03	3405-001055	SWITCH-MICRO	125/250VAC,16A,200GF,SPST-NO	1	SEC-S/W
MB04	DE66-00088A	LEVER-SWITCH	NC2000(0.6/0.8/1.2),PP,-,-,-,NTR,BUTTON-TYPE	1	
MB05	DE72-00138A	BODY-LATCH	PP,WHT,NC2000(0.6/0.8/1.2),BUTTON-TYPE	1	
MB08	3405-001034	SWITCH-MICRO	125/250VAC,16A,200GF,SPST-NO	1	DOOR-S/W
MM01	DE70-00185A	PANEL-OUTER	SECC,T0.6,COATING,MW1255WA(1.2CUFT),-	1	
MM03	DE39-00278A	WIRE HARNESS-A	MW1255WA,-,120V60HZ,-,-,-,NC2000-1.2 2-TCO	1	
MM06	DE96-00100A	ASSY-MOTOR FAN	SMF-NC2UA1,120V60HZ,2800RPM,SJ0390,10MM	1	
MM07	DE39-20146E	ASSY POWER CORD	MSP-36,-,SPT-2 3/16AWG,MB-53C,-,1.3MT,GRY	1	
MM08	OM75P(31)ESS	ASSY-MAGNETRON:OM75P		1	
MM09	DE71-00164A	COVER-AIR	PP(TB53),T1.7,-,-,-,MW1250WA(NC-12),GE-WHT	1	
MM10	4713-001102	LAMP-INCANDESCENT	125V,-,25W,TRP,-,-,25x62mm	1	CV/AIR
MM102	DE63-00021A	CUSHION-HVT	-,EPDM,T10.5,W30,L50,-,MW6693G,-	1	
MM13	DE66-90113A	LEVER-DOOR	PP(TB53-GH41),T2.5,-,-,12g,NTR,3RD-W,-	1	
MM133	DE72-00177A	GUIDE-CAVITY	PP(TB53),T2,-,-,-,MW1255WA/XAA,NTR		
MM14	DE26-00061A	TRANS-H.V	SHV-U11KA,120V,60HZ,2240V/3.6V,-,-,H,-	1	
MM16	DE71-60449A	COVER-MGT	PP(TB53),-,25G,110.5X115,GE-WHT,3-	1	
MM17	DE47-20033A	THERMOSTAT	PW-2N,80/70,125V15A/250V7.5A,1	1	
MM171	DE47-20194C	THERMOSTAT	-,PW2N,-,-,75C,65C,-,30.0,-,-,187 HORIZATAL	1	CAVITY
MM18	DE74-20015G	TRAY-COOKING	-,T6,PI318,1115G,MW5896W,-	1	
MM19	DE97-00222A	ASSY-GUIDE ROLLER	NC-1.2CUFT,SPS(C832) BROWN,D16.0,-	1	
MM20	DE67-00106A	COUPLER	PPS,-,8g,BRN,MW1250WA,NC-1.2	1	
MM22	DE31-10154A	MOTOR-SYNCHRONOUS	M2HJ49ZR02,ST-16,50/60HZ,-	1	
MM27	DE61-40066A	FOOT	PP,BLK,-,-,3RD-W,-	2	
MM28	DE80-00024A	BASE-PLATE	SGCC1,T0.6,-,-,MW1250WA,NC2000	1	
MM29	2501-001016	C-OIL	950nF,2.1KV,BK,35x54x80,20mm	1	
MM30	DE61-50106A	BRACKET-HVC	SECC,T0.8,W31,L125.8,-,-,-	1	
MM31	DE59-40001A	DIODE-H.V	HVR-1X-32B-12,-,-,-,-	1	
MM34	DE47-40025A	HOLDER-FUSE	KFSN-L-16,15A,NYLON#66,5G,-,-,	1	
MM55	3601-001198	FUSE-CARTRIDGE	250V,20A,SLOW-BLOW,CERAMIC,6.35x31.3mm	1	

7-3 Control and Door Parts List

No.	Code No.	Description	Specification	Q'ty	Remark
MC01	-	ASSY CONTROL-BOX	-,MW1150WA(NC-12),WHT,M-DESIGN	1	S,N,A
MC02	DE34-00105E	SWITCH MEMBRANE	MW1150WA/XAA,-,PET,-,-,-,ENGLISH,-,M-DESIGN	1	
MC03	DE72-00130A	CONTROL-PANEL	ABS,NC2000-2(1.0CUFT),-,-,-,PURE-WHT,TACT	1	
MC04	DE61-70076A	SPRING-BUTTON	HSWR,PI0.6,-,-,-,-	1	
MC05	DE67-00093A	BUTTON-PUSH	ABS,-,P/WHT,NC2000-2(0.8/1.2),-,MW850WA	1	
MC06	DE64-00247A	WINDOW-DISPLAY	MW1450,SAN,-,-,-,SMOG,M-DESIGN	1	
MC07	RA-N2LED1-08	ASSY PCB PARTS:MW850		1	
MC13	DE94-00426A	ASSY CONTROL-PANEL	-,MW1250WA(NC-12),P/WHT,M-DESIGN	1	
MD01	-	ASSY DOOR	MW1250WA(NC-12),WHT,M-DESIGN	1	S.N.A
MD02	DE64-00186A	DOOR-A	NC2000-2,ABS(HR0370),-,P/WHT,-,-,1.0CUFT	1	
MD03	DE63-00042A	SCREEN-DOOR	MW1250WA(NC-12),PET,T0.25,W196,L355,CLEAR,-,-	1	
MD04	DE94-00428A	ASSY DOOR-E(COATING)	MW1250WA(NC-12),BLK,-	1	
MD05	DE64-00248A	FILM-DOOR	PE/PC,178.5*306,T0.15,-,MW1250WA(NC-12)	1	
MD06	DE64-00184A	DOOR-C	MW1250WA,PP,-,BLK,-,1.2CUFT,NC2000	1	
MD07	DE61-00193A	SPRING-KEY	M1733,HSWR,D5.5,-,-,19 1/4,-,T0.6,-,-,NEW(NC-1.2)	1	
MD10	DE64-00210A	DOOR-KEY	NC2000(0.6/0.8/1.2),PP,-,BLK,-,-,BUTTON-TYPE	1	
MD11	DE94-00427A	ASSY DOOR-SUB	MW1250WA(NC-12),G/WHT,DOOR-E+FILM	1	

S.N.A : SERVICE NOT AVAILBLE

7-4 Standard Parts List

Code No.	Description	Specification	Q'ty	Remark
DE60-10080B	SCREW-WASHER	PH,PI5,L10,SWRCH18A,ZP2,2S,-,-	4	MGT
DE60-10080B	SCREW-WASHER	PH,PI5,L10,SWRCH18A,ZP2,2S,-,-	4	TNS-HV
DE60-10082H	SCREW-A	2S-4X12,TOOTHED,-,-,-,-,-,-,-,-	4	B-PLTE
DE60-10082H	SCREW-A	2S-4X12,TOOTHED,-,-,-,-,-,-,-,-	2	BD-LAT
DE60-10082H	SCREW-A	2S-4X12,TOOTHED,-,-,-,-,-,-,-,-	1	CN-BOX
DE60-10082H	SCREW-A	2S-4X12,TOOTHED,-,-,-,-,-,-,-,-	1	CV/AIR
DE60-10082H	SCREW-A	2S-4X12,TOOTHED,-,-,-,-,-,-,-,-	1	CVT-TCO
DE60-10082H	SCREW-A	2S-4X12,TOOTHED,-,-,-,-,-,-,-,-	2	MO-FAN
DE60-10082H	SCREW-A	2S-4X12,TOOTHED,-,-,-,-,-,-,-,-	1	P-C-EA
DE60-10082H	SCREW-A	2S-4X12,TOOTHED,-,-,-,-,-,-,-,-	2	PN/OUT
DE60-10082H	SCREW-A	2S-4X12,TOOTHED,-,-,-,-,-,-,-,-	1	S-M-EA
DE60-10082H	SCREW-A	2S-4X12,TOOTHED,-,-,-,-,-,-,-,-	1	TCO
DE60-10098A	SCREW-ASSY TAP TITE	PH,TC,M4X8,SWRCH18A,ZPC2,GLD,W	1	M/DRIV
DE60-10195A	SCREW-STAR POLE	TH,*2,4,12,SWCH18A,ZNC,-,-,-	2	O/PANEL
DE60-10088A	SCREW-TAP PH	PH,M3,L8,FEFZY,PLAIN,-,-,-,-,-	1	PCB
DE60-10098A	SCREW-ASSY TAP TITE	PH,TC,M4X8,SWRCH18A,ZPC2,GLD,W	1	HVC

8-2 P.C.B Parts List

Code No.	Description	Specification	Q'ty	Remark
3501-001155	RELAY-MINIATURE	24VDC,200MW,3000MA,1FORMA,10MS,10MS	1	RY01
3501-001188	RELAY-POWER	24V DC,0.53W,-,1FormA,9.3ms,10mS	1	RY02
3708-001510	CONNECTOR-FPC/FC/PIC	14P,1.25mm,STRAIGHT,SN	1	CN04
DE07-00021K	LED DISPLAY	CSQ-4246G-10,NC2000-CMO,-,40SEG,5DIGIT,-,-,-,-	1	LED1
DE09-00054A	IC MICOM	TPM87CH47U,OTP-16K,QFP,-,-,-,-,44PIN,-	1	IC01
DE26-00037A	TRANS-L.V	SLV-4290U,120V,60Hz,AC17V/7V,-,35*10,PIN,-	1	LVT1
DE30-20016A	BUZZER	CBE2220BA,STICK,-,-,-,-,-,-	1	BUZ1
DE92-00695A	ASSY PCB AUTO	120V60HZ,LED,RA-N2LED1-08,MW850WA	1	
0401-001083	DIODE-SWITCHING	MM4148,100V,150MA,LL-34,TP	13	D08-12,15-22
0402-001103	DIODE-RECTIFIER	1T4,400V,1A,TS-1,TP	7	D01-07
0403-001288	DIODE-ZENER	ZMM55C5V1,4.8-5.4V,500MW,LL-34,TP	1	ZD01
0501-000465	TR-SMALL SIGNAL	MMBT3904,NPN,350mW,SOT-23,TP,100-300	1	TR01
0504-001008	TR-DIGITAL	RN2427,PNP,200MW,2.2K/10K,SOT-23,TP	5	TR09-13
0504-001080	TR-DIGITAL	KRC246S,NPN,200mW,2.2K/10K,SOT-23,TP	3	TR02,05,08
1202-000141	IC-VOLTAGE COMP.	7033,SOT-89,3P,-,SINGLE,0V,-,P	1	IC03
1203-001037	IC-VOLTAGE REGULATOR	78L05,SOT-89,3P,185MIL,PLASTIC	1	IC02
1405-000001	VARISTOR	470V,1250A,14x7.5mm,TP	1	ZNR1
2007-000033	R-CHIP	00HM,5%,1/8W,DA,TP,3216	4	J11,12,13,16
2007-000282	R-CHIP	100KOHM,5%,1/10W,DA,TP,2012	2	R27,28
2007-000300	R-CHIP	10KOHM,5%,1/10W,DA,TP,2012	3	R07,08,09
2007-000346	R-CHIP	120OHM,5%,1/8W,DA,TP,3216	8	R19-26
2007-000468	R-CHIP	1KOHM,5%,1/10W,DA,TP,2012	6	R01,03-05,10,13
2007-000671	R-CHIP	2KOHM,5%,1/10W,DA,TP,2012	1	R02
2007-000931	R-CHIP	470OHM,5%,1/10W,DA,TP,2012	1	R06
2007-000941	R-CHIP	47KOHM,5%,1/10W,DA,TP,2012	5	R14-18
2203-000444	C-CERAMIC,CHIP	1nF,10%,50V,X7R,TP,2012,-	6	C13-17,20
2203-001608	C-CERAMIC,CHIP	22nF,+80-20%,50V,Y5V,TP,2012	4	C09-12
2401-000151	C-AL	1000uF,20%,25V,GP,TP,10x20,5	1	C02
2401-000244	C-AL	100uF,20%,10V,GP,TP,6.3x7,5	1	C03
2401-000911	C-AL	22uF,20%,16V,GP,TP,5x7,5	2	C04,06
2401-002075	C-AL	4.7uF,20%,50V,GP,TP,5x11,5	1	C05
2401-002598	C-AL	220uF,20%,50V,GP,TP,10x16,5	1	C01
2802-000188	RESONATOR-CERAMIC	8MHz,0.5%,TP,10.0x5.0x8.0mm	1	XTL1
3711-000881	CONNECTOR-HEADER	BOX,3P,1R,2.5mm,STRAIGHT,SN	1	CN03
3711-004143	CONNECTOR-HEADER	BOX,2P/3P,1R,5mm/2.5mm,STRAIGH	1	CN02
DE39-60001A	WIRE-SO COPPER	PI0.6,SN,T,52MM,TAPING_WIRE,-,	10	J01-10
DE41-00178A	PCB-MAIN	RA-N2LED1-**,FR-1,1,-,-,T1.6*W247*L197,-	1	
DE60-60012A	PIN-EYELET	ID2.1,OD2.5,L3.0,SN,BSP,T0.25,	2	

9. Schematic Diagrams

9-1 Schematic Diagrams

NOTE: CIRCUIT SHOWN WITH DOOR IS OPENED POSITION.
 NOTE: FOR SERVICE REPLACEMENT USE 16 GA 105° C
 THERMOPLASTIC COVERED WIRE EXCEPT
 FOR HIGH VOLTAGE LEADS OR AS NOTED ON SPECIAL LEADS.

WARNING
 POWER MUST BE DISCONNECTED
 BEFORE SERVICING THIS APPLIANCE

