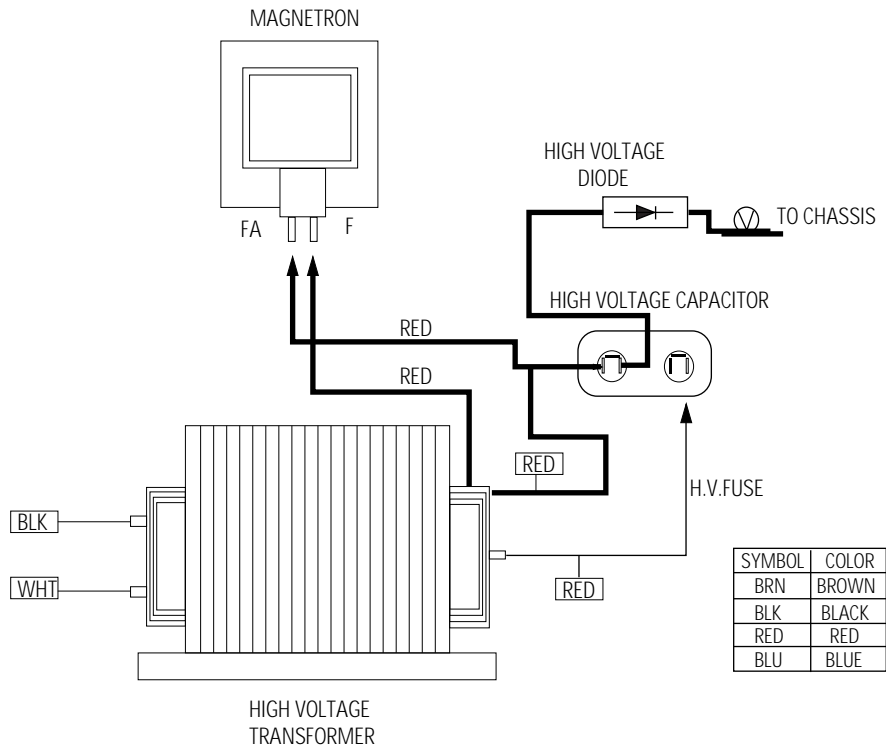
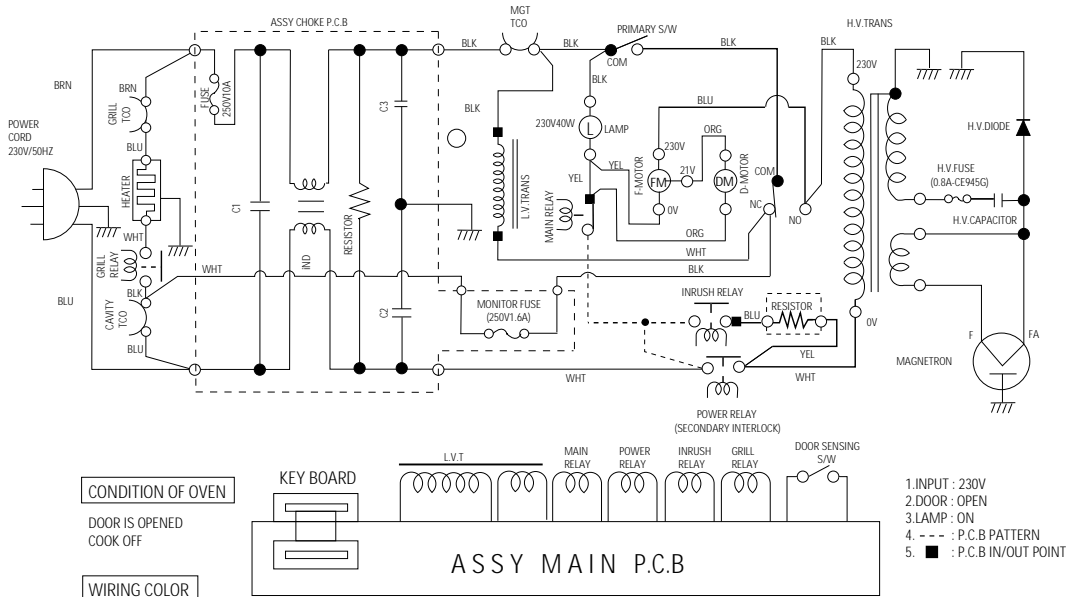


9. Schematic Diagrams

9-1 Schematic Diagrams



8. P.C.B Diagrams

8-1 P.C.B Diagrams

