

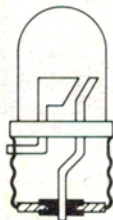
## IDEAS FOR EXPERIMENTERS

### Screw-in LED

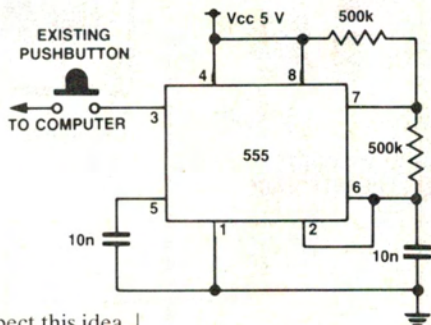
Utilising the metal bases from blown lilliput-type globes you can make screw-in LEDs to replace globes inside small switches and bezels. **Mike Home of Mitcham, Vic** has found this to be much more reliable than incandescent indicator lamps.

Just clean the solder from the base, cut a small slot in the rim, bend the leads (carefully) to fit

and solder in. File down if necessary. And don't forget to add a dropping resistor in series!



### Rapid Fire Paddle



Here at ETI we suspect this idea is highly unethical, but **Nigel Senior of North Fitzroy Victoria**, has sent us this idea which assures you a better than even chance of winning at Space Invaders.

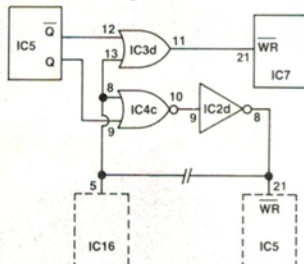
The idea is to put a simple

bistable inside the computer joystick. Pressing the fire button will make the system fire at a rate determined by the software of the game itself.

Now, to give the invaders a chance, play blindfolded!

## ERRATA

The following bit of circuitry was left off the circuit diagram of our Idea of the Month in April 1984:



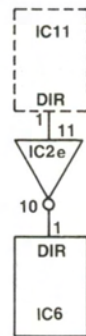
Notice that the WR lines of IC7 and IC5 should not be joined, but should be connected as shown.

There is also an error in the program listing that accompanied the article. These should read:

1.

```
LD A, 50H
LD (0D3H), A
LD A, 59 H
LD (0D4H), A
LD HL, 0E1 H
CALL 85A7 H
```

There should be an inverter in the line from pin 1 of IC11 on the Microbee to pin 1 of IC6 as follows:



2.

```
LD A, 2
OUT (0CH), A
LD A, 59 H
OUT (0DH), A
LD A, 1
OUT (0CH), A
LD A, 50 H
OUT (0DH), A
```