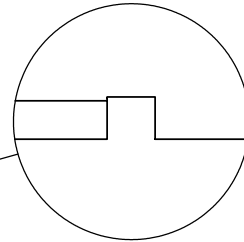
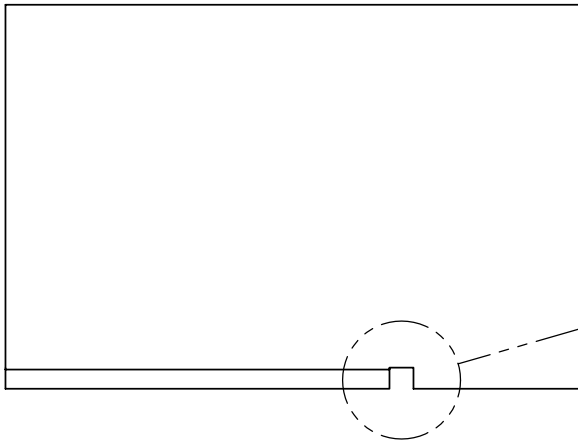
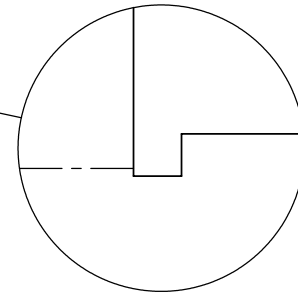
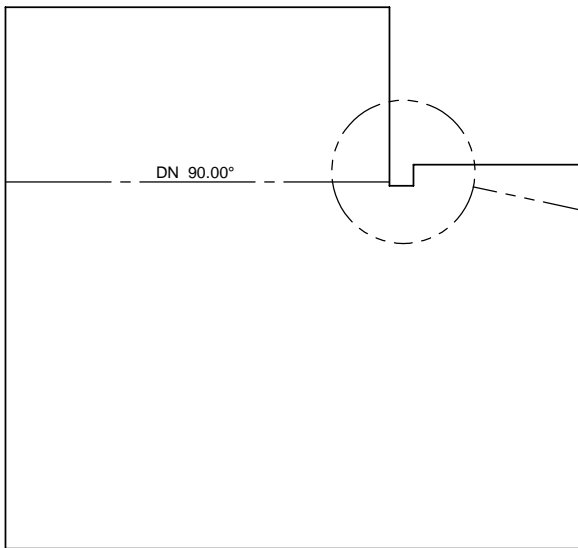


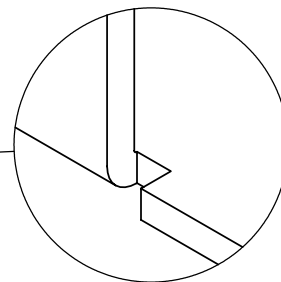
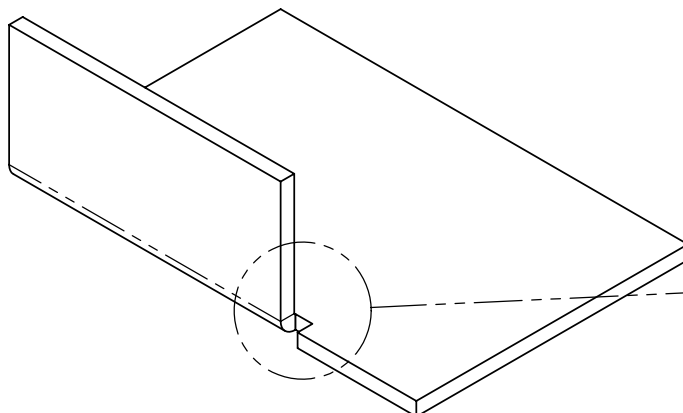
# WESGAR SAMPLE - PARTIAL FLANGE WITH BEND RELIEF



DETAIL A  
SCALE 2 : 1



DETAIL B  
SCALE 2 : 1



DETAIL C  
SCALE 2 : 1