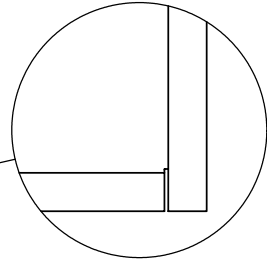
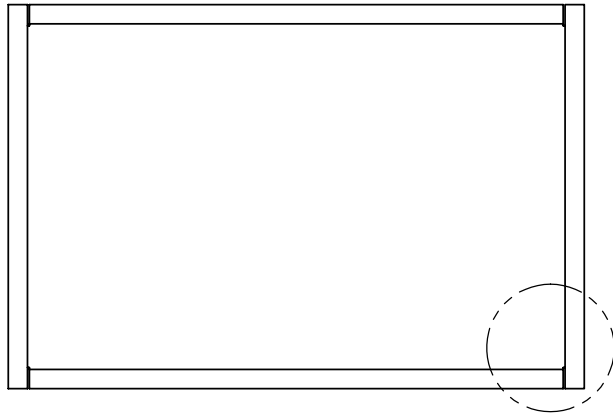
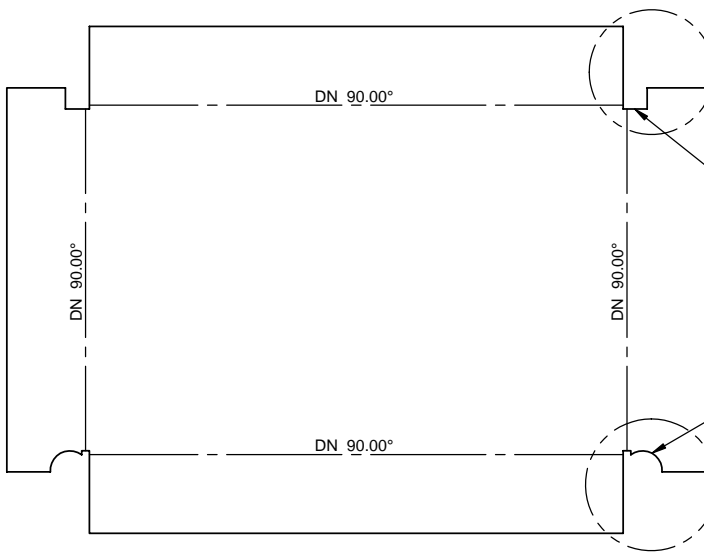


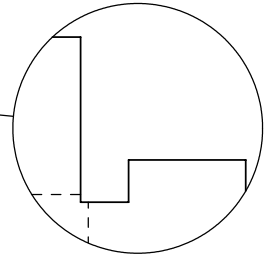
WESGAR SAMPLE - LAPPED (CLOSED) CORNERS WITH BEND RELIEF



DETAIL A
SCALE 2 : 1

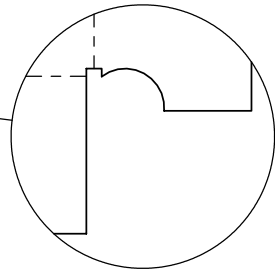


RECTANGULAR
RELIEF EXAMPLE

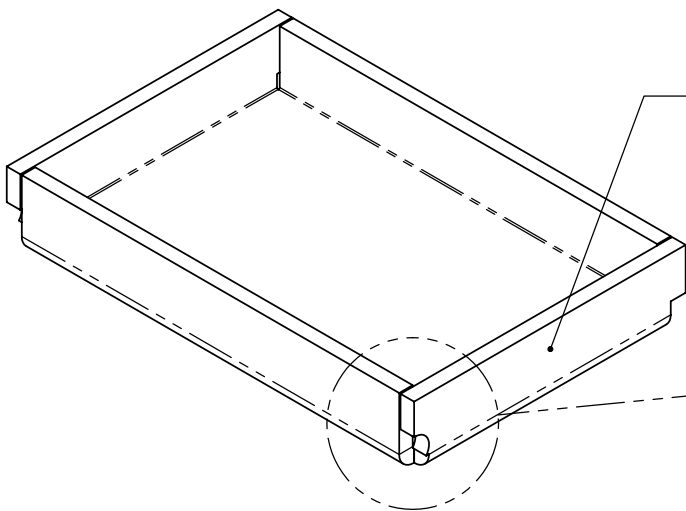


DETAIL B
SCALE 2 : 1

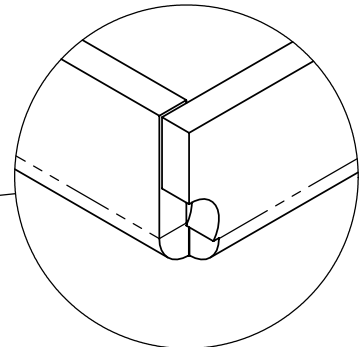
ROUND
RELIEF EXAMPLE



DETAIL C
SCALE 2 : 1



SMALLER FLANGES
LAP OVER
LONGER FLANGES



DETAIL D
SCALE 2 : 1