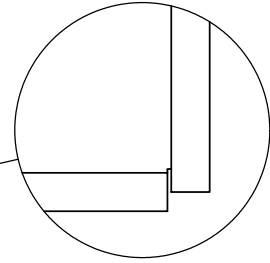
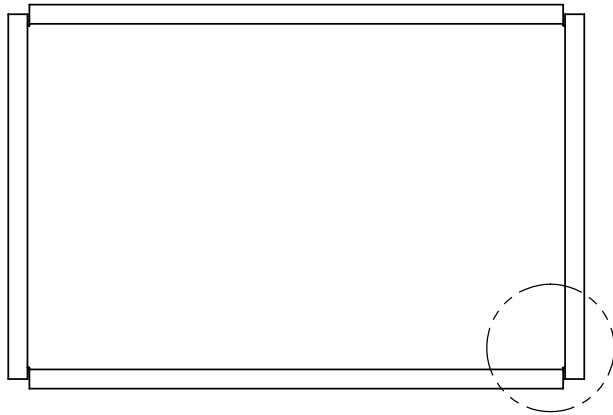
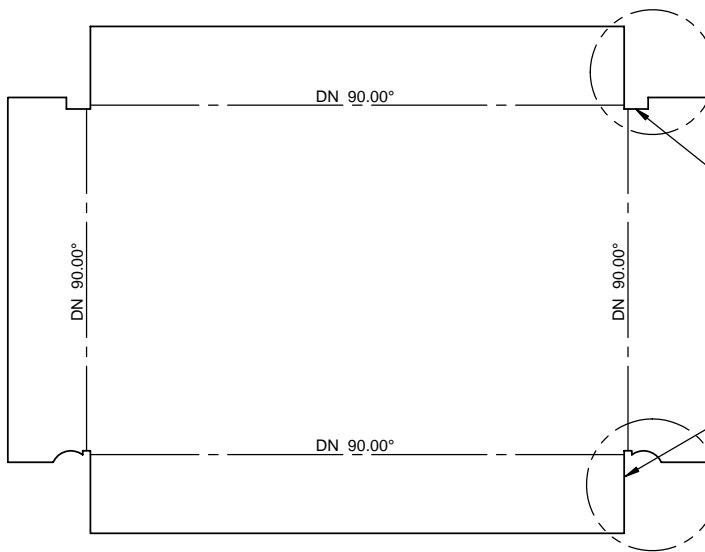


# WESGAR SAMPLE - HALF-LAPPED CORNERS WITH BEND RELIEF

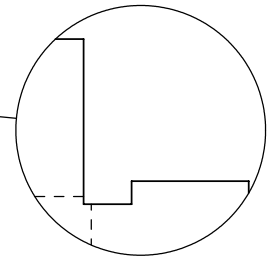


DETAIL A  
SCALE 2 : 1

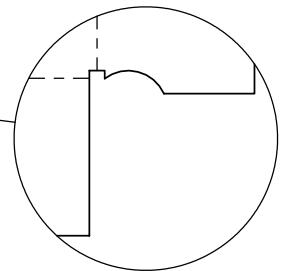


RECTANGULAR  
RELIEF EXAMPLE

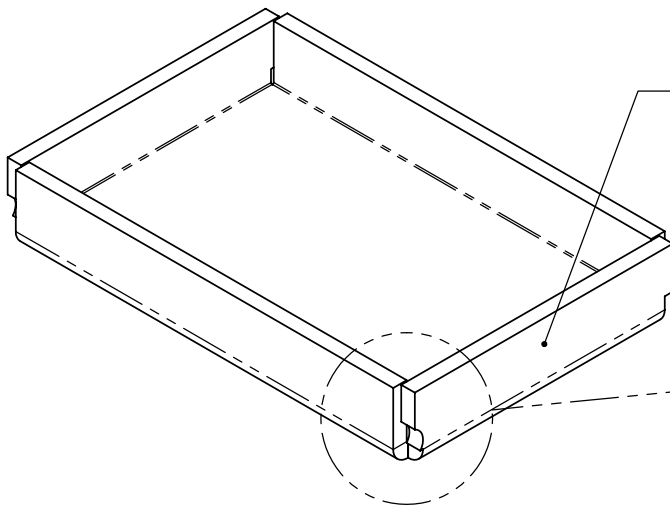
ROUND  
RELIEF EXAMPLE



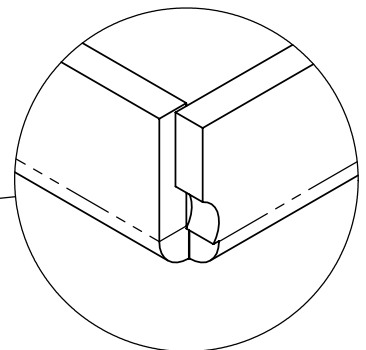
DETAIL B  
SCALE 2 : 1



DETAIL C  
SCALE 2 : 1



SMALLER FLANGES  
LAP OVER  
LONGER FLANGES



DETAIL D  
SCALE 2 : 1