

Electronics Solutions

Components

ASICs

PCB

Kits

EUSB to SPI**EUSB to SPI bus Kit**

EID's **universal serial bus** (EUSB) to SPI bus kit is an Electronics kit that allows you to connect your personal computer (PC) Universal serial port to SPI bus components.

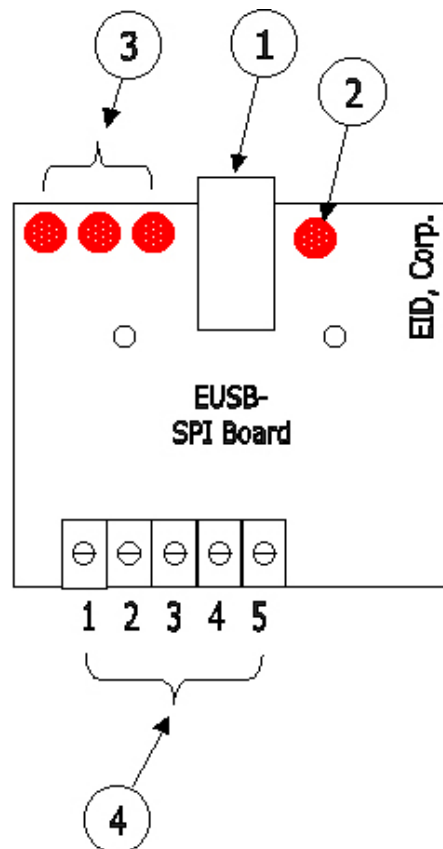
The kit is based on [Cypress](#) integrated circuit (IC), the CY7C63001.

Note: The CY7C63001 IC is Universal Serial Bus (USB) RISC type Micro-controller. It conforms to USB 1.5 Mbps specification, version 1.1. See USB specifications at www.usb.org for more details, or click [here](#) to download the the CY7C63001 chip data-sheet.

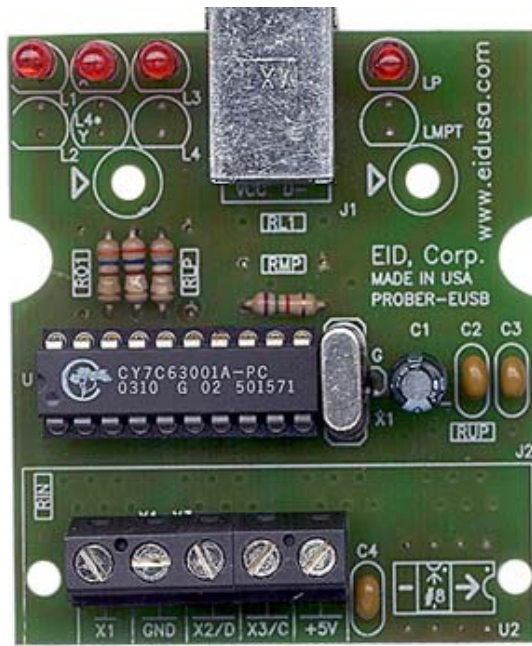
No need for external Power supply! The board is powered directly from your PC.

This unique kit design provides you with ability to wire your wires easily via terminal blocks (5). You will be able to monitor SPI components such as temperature sensors, EEPROM etc. directly from the PC

Please note: EUSB wire (USB cable) is sold separately.



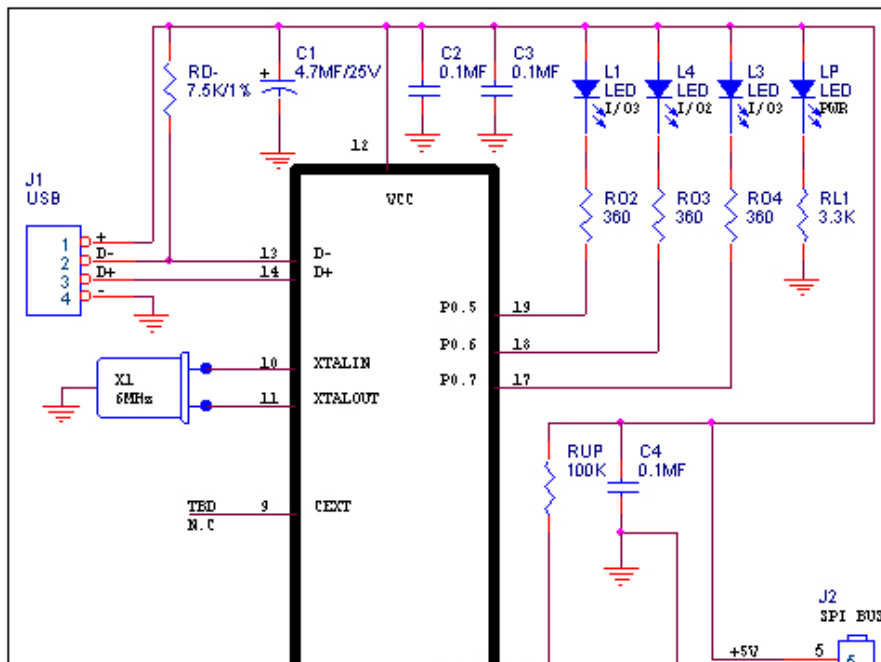
1. EUSB connector (connect your cable between the connector and your PC)
2. LED Power indicator
3. SPI status (From the left SPI-D-In, SPI-D-out, SPI-Clk) or general use LEDs
4. SPI connector (Pin 1 SPI-D-In, Pin 2 GND, Pin 3 SPI-D-Out, Pin 4 SPI-CLK, Pin 5 +5VDC)

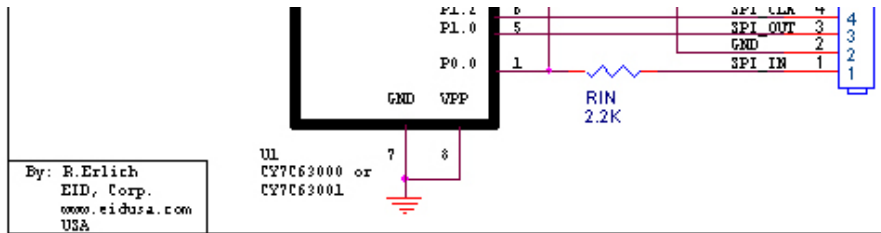


Kit Includes:

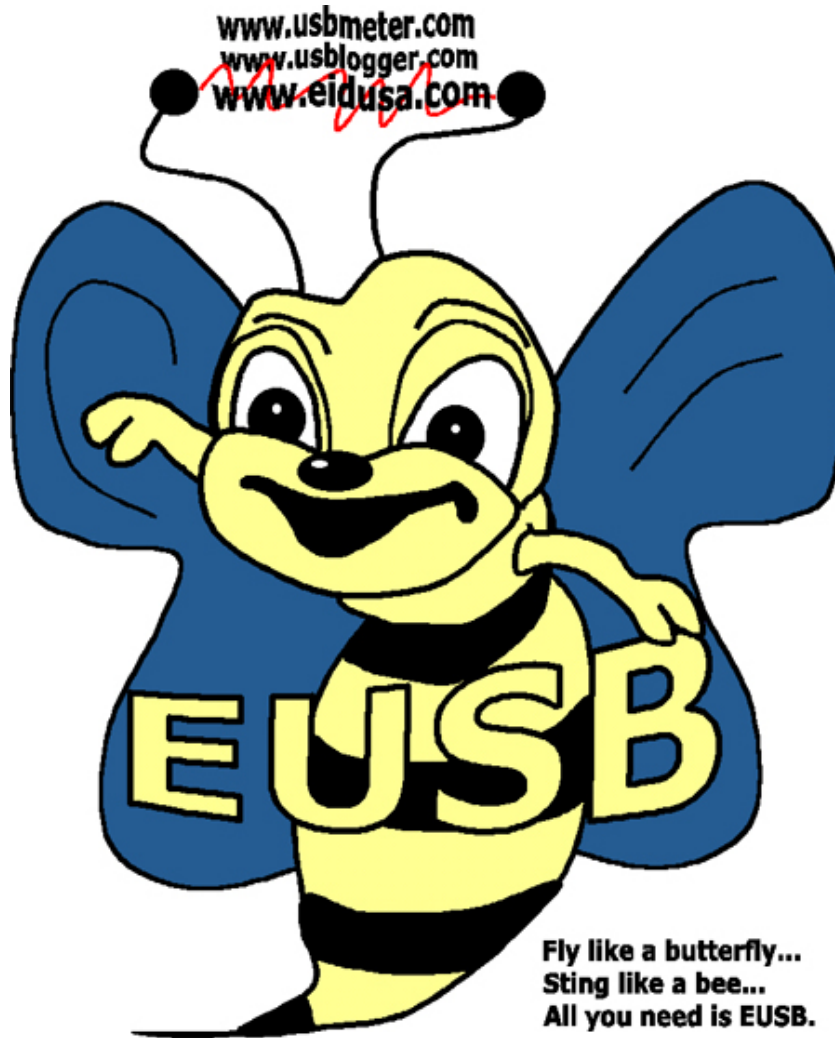
- CY7C63001 IC 1pc.
- 7.5K Ohms [Resistor](#) 1pc.
- 360 Ohms [Resistor](#) 3pc.
- 3.3K Ohms [Resistor](#) 1pc.
- 0.1MF [Capacitor](#) 1pc.
- 2P Terminal Block [Connector](#) 1pc.
- 3P Terminal Block [Connector](#) 1pc.
- 4.7MF [Capacitor](#) 1pc.
- 0.1MF [Capacitor](#) 3pc.
- Red LED [LED](#) 4pc.
- USB Connector 1pc.
- Crystal 6MZ 1pc.
- PCB 1pc.

Schematic:





EUSB Basics

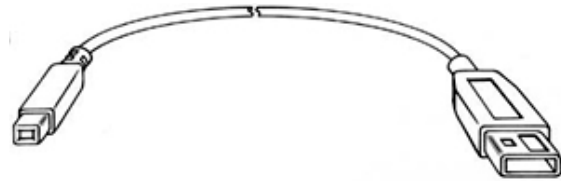


Description and SKU#	Price	Picture
EUSB to SPI BUS Kit		
EID-K-EUSB-SPIB-ASM Fully assembled	46.00	
EID-K-EUSB-SPIB-PCB PCB Only	15.60	
EID-K-EUSB-SPIB-KIT Kit	34.00	
EID-K-EUSB-BS-LIB1S Software (Library only)	12.00	

**EUSB A to B Cables**

This cable is used to connect the EUSB port to the EUSB peripheral. A male to B male.

EID-C-USB-32-930	3'	9.99
EID-C-USB-32-931	6'	10.99
EID-C-USB-32-932	10'	11.99
EID-C-USB-32-933	15'	15.99

[Home](#)[Back to Top](#)

Copyright © 1996-2006 Erlich Industrial Development, Corp. (EID, CORP) ALL RIGHTS RESERVED.

www.eidusa.com