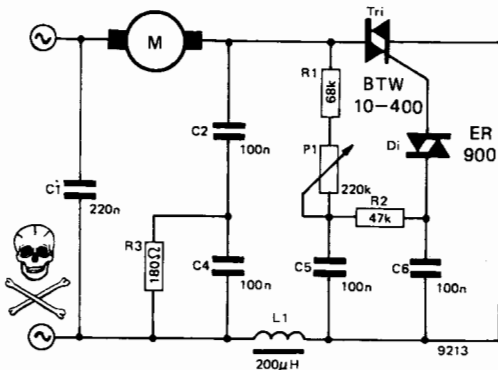


55



This circuit is intended for continuous speed control of small series wound motors, as used in most electric hand

drills, etc.

The speed is adjusted by potentiometer P1. The setting of this potentiometer

determines the moment at which the triac is triggered. If the motor speed drops below the preset value (under load), the back EMF of the motor reduces. Consequently, the voltage

triac speed controller

across R1, P1 and C5 increases so that the triac is triggered sooner, and the motor speed will be increased. In this way, a certain amount of speed stabilisation is obtained.

(Transitron)