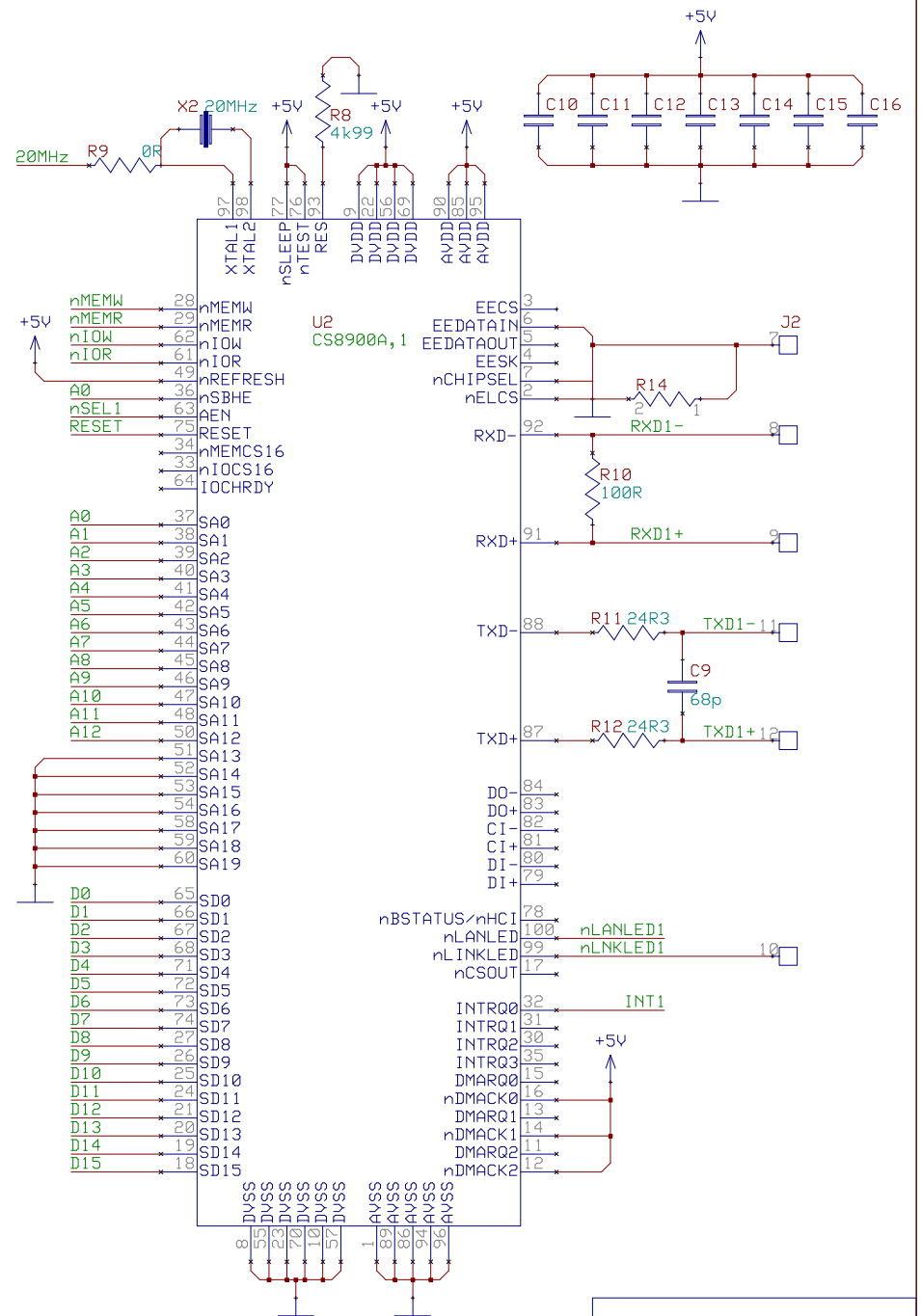
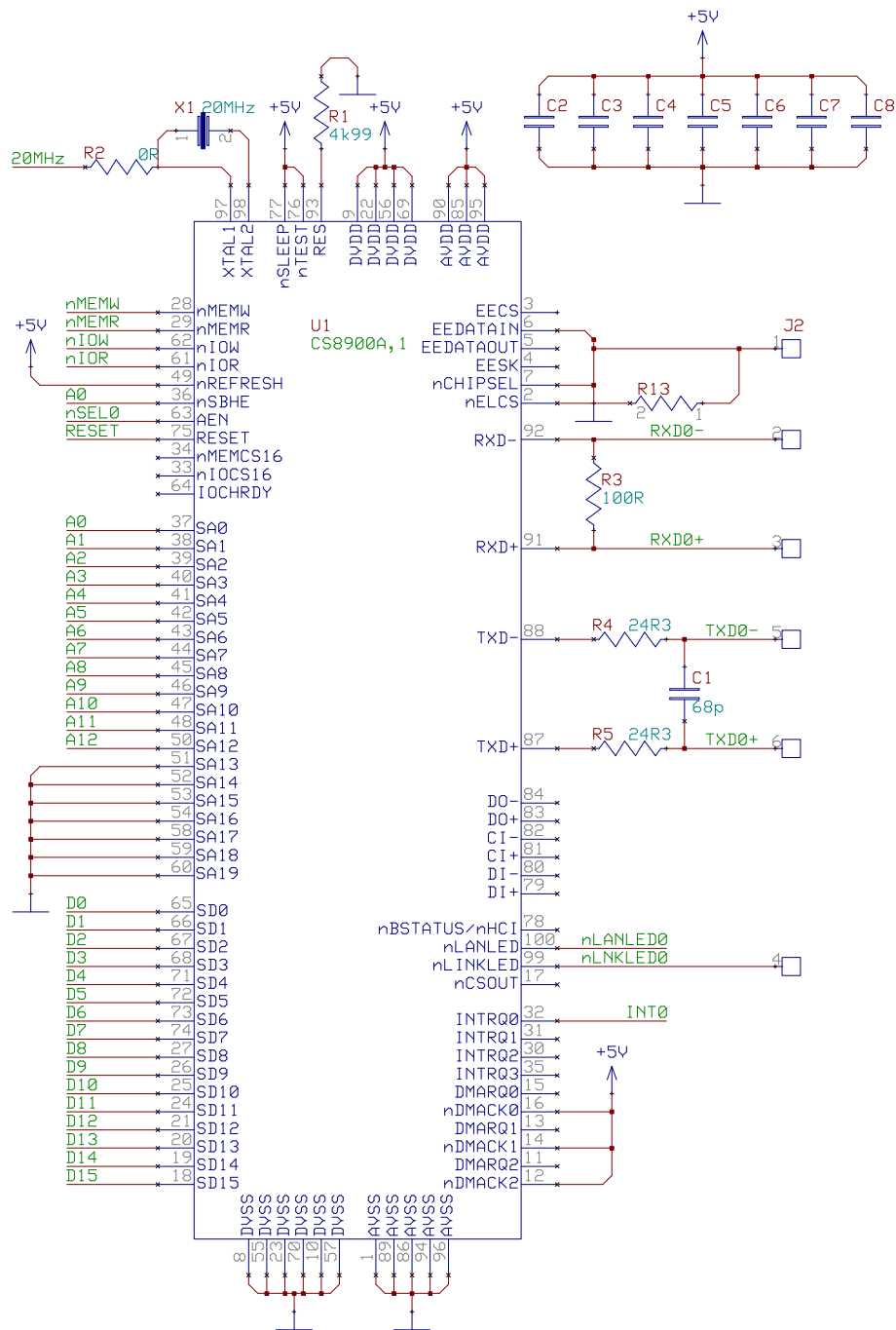
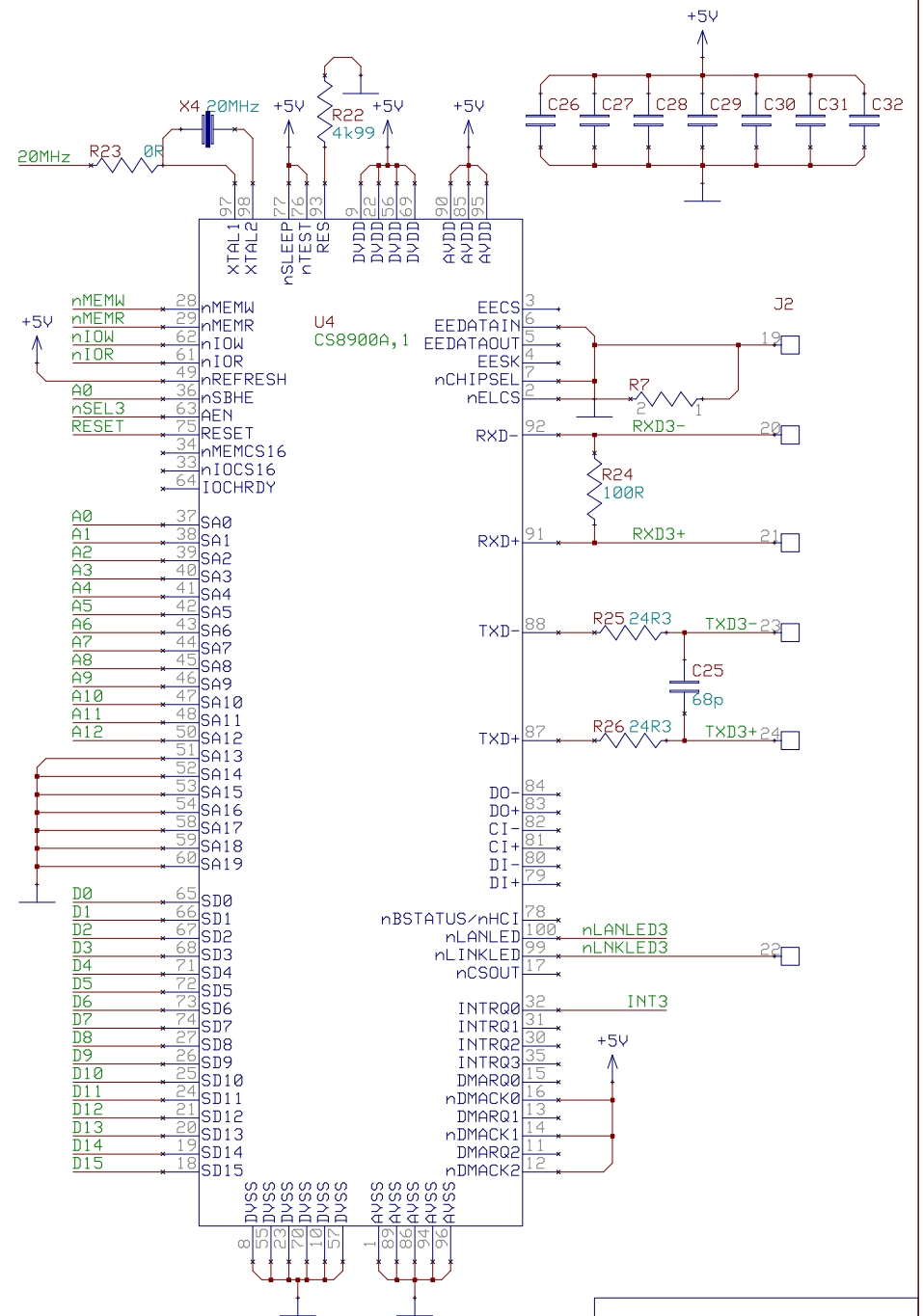
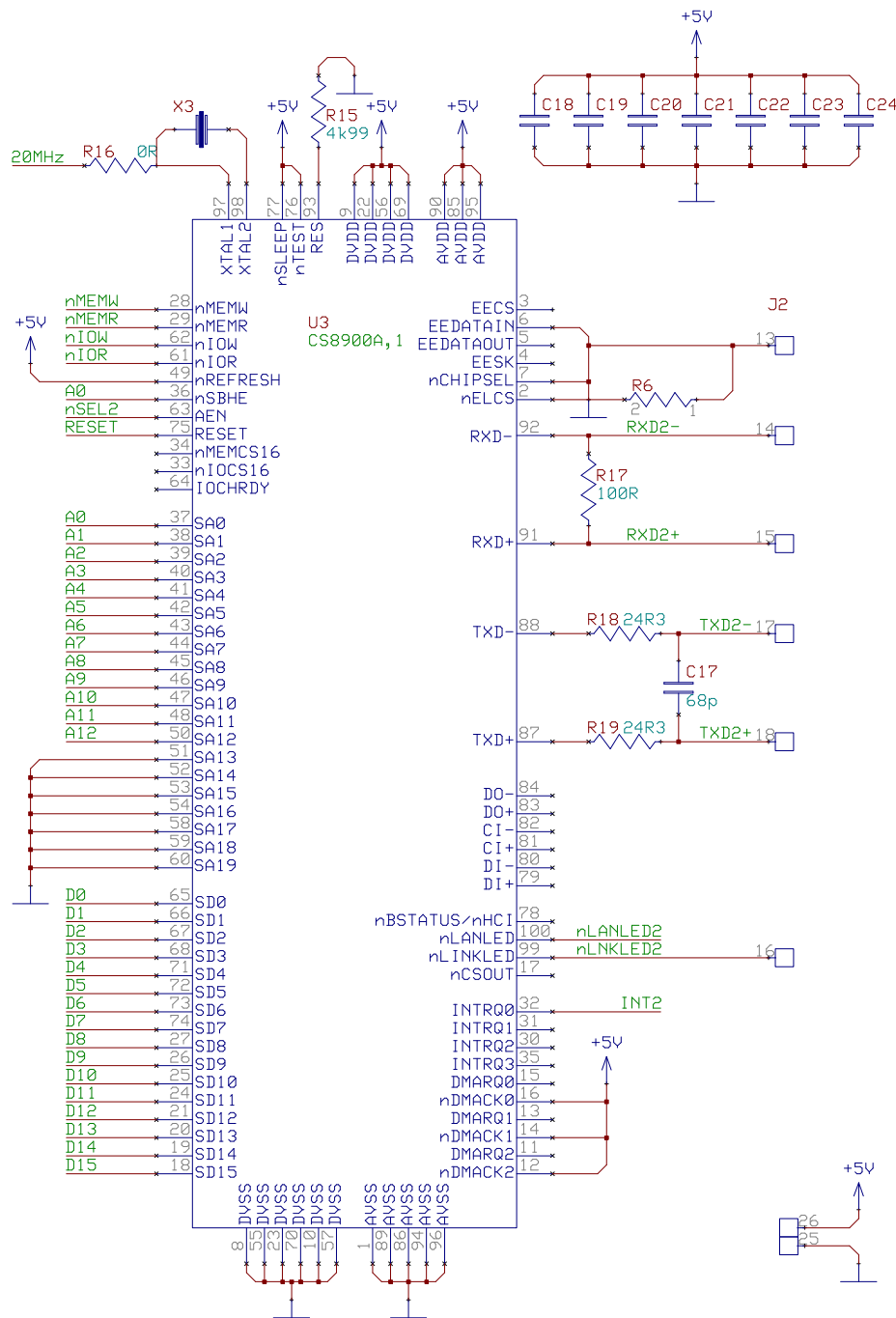


NOTE: This oscillator and the crystals connected to the Ethernet chips are mutually exclusive. Mount either { U5, R2, R9, R16 and R23 } or { X1, X2, X3 and X4 }.



ETHER4 channels 0 and 1

REV 1 19991204 (C)JDB



ETHER4 channels 2 and 3

REV 1 19991204 (C)JDB

