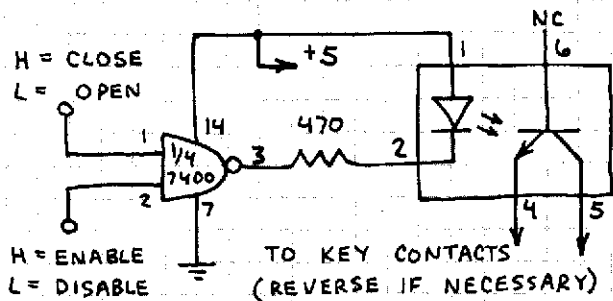
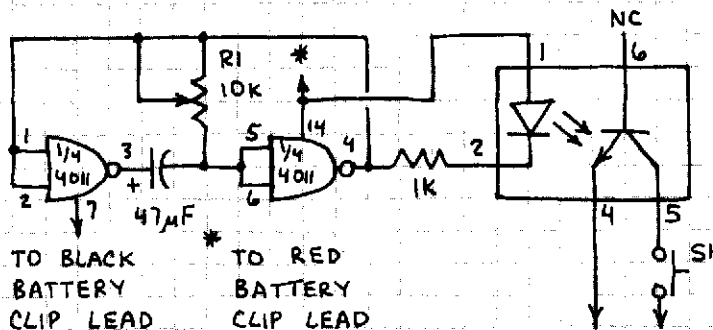


CALCULATOR / COMPUTER INTERFACING

KEYBOARD INPUT



CALCULATOR TIMER



IMPORTANT: THESE CIRCUITS MAY VOID YOUR CALCULATOR'S WARRANTY. I HAVE USED BOTH WITH A LOW COST CALCULATOR WITH LED READOUT. SEE POPULAR ELECTRONICS, DEC 1979 (PP. 85-87) FOR DETAILS. ALWAYS FOLLOW MOS HANDLING PROCEDURES WHEN WORKING WITH CALCULATORS! IF NOT, YOU MAY DAMAGE THE UNIT'S PROCESSING CHIP.

TO OPERATE:

1. SET R_1 TO GIVE 10 Hz FREQUENCY.
2. ENTER \square \square \square
3. PRESS SI FOR TIMING PERIOD.
4. READ TIME TO TENTH SECOND FROM DISPLAY.

TO \square KEY CONTACTS

NOTE:
THIS SHOWS CMOS INTERFACE.