

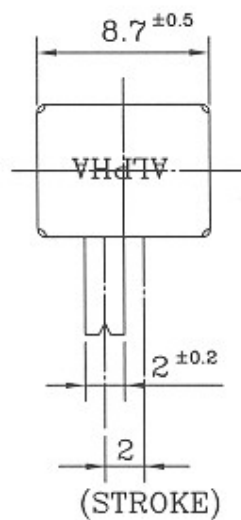
SLIDE SWITCH

MODEL

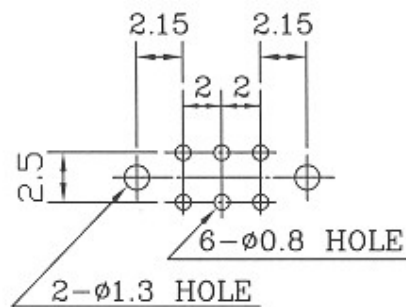
SV69010F-0202-(L)V-NN

SPECIFICATIONS

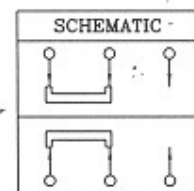
Rating	AC125V 0.3A
Contact Resistance	25 mΩ Max.
Insulation Resistance	DC500V-100 MΩ Min.
Withstand Voltage	AC500V-1 Minute
Operating force	300±200gf
Life	10,000 Cycles



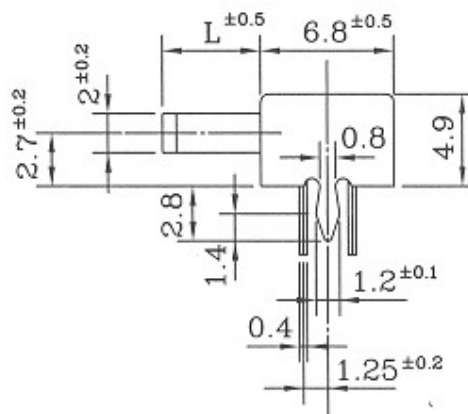
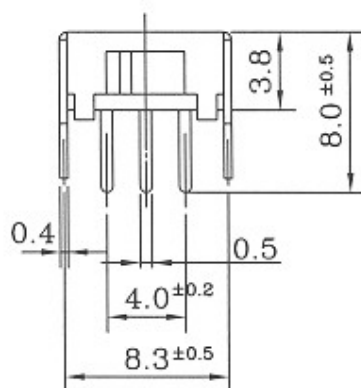
(STROKE)



P.C.B. MOUNTING HOLE



	L
	4
	6



NOTE:

1. TOLERANCES UNLESS OTHERWISE SPECIFIED: ±0.3mm

2005.12.09 圖面重繪 王茂松

DATE

2005.07.06

DWN

張月琴

CHKD



APP'D



TAIWAN ALPHA ELECTRONIC CO., LTD.