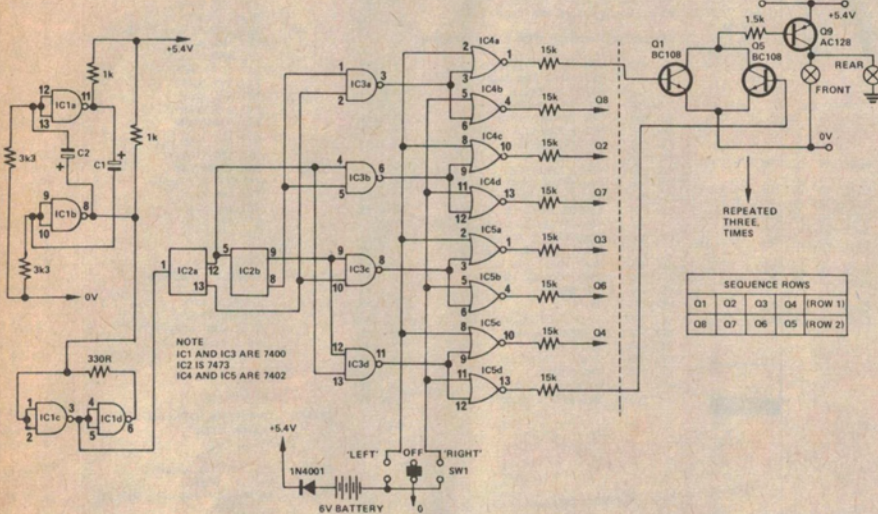


# Ideas for experimenters

These pages are intended primarily as a source of ideas. As far as reasonably possible all material has been checked for feasibility, component availability etc, but the circuits have not necessarily been built and tested in our laboratory. Because of the nature of the information in this section we cannot enter into any correspondence about any of the circuits, nor can we produce constructional details.

Electronics Today is always seeking material for these pages. All published material is paid for — generally at a rate of \$5 to \$7 per item.

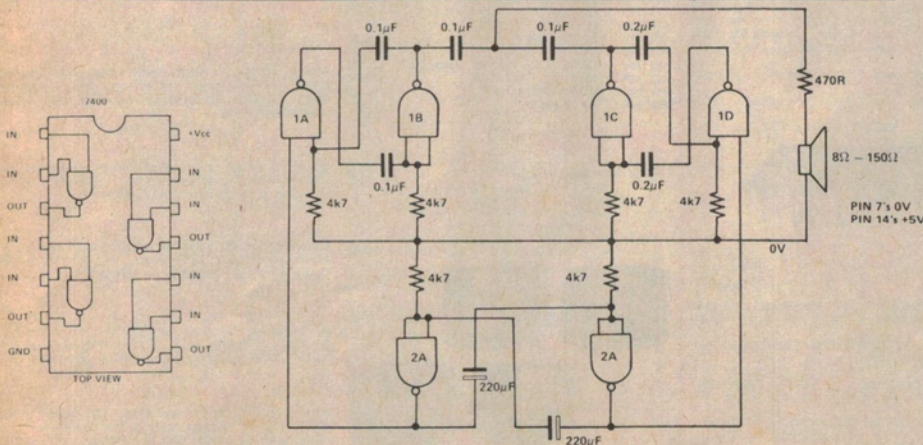


## NOVEL INDICATORS

Since a bicycle has no effective width, normal indicator lamps placed on each side do not give a clear indication of direction when seen from a distance, especially at night.

The circuit shown is a four stage ring counter which sequentially drives four yellow lamps giving an impression of

movement i.e. towards the left or right. Lamp sequencing rate can be altered by changing C1 and C2. (50uF was found to be about right). Oscillator pulses are shaped by schmitt trigger IC1b. The decoding and output gating are performed by ICs 3, 4, and 5. Driver transistors Q1 to Q8 can be any low current, medium gain NPN silicon.



## 7400 SIREN

The siren consists of two oscillators which generate the tones. A third oscillator is used to switch the others on and

off alternately, giving the two tone affect.

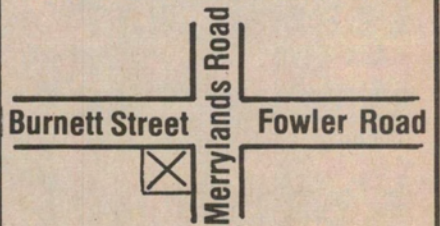
By changing the capacitor values different tones can be produced.

# UNIQUE ELECTRONICS SECURITY CO. P/L. 682-3325

- A new shop catering for the hobbyist, CB'er and for the trade.
- We specialise in: Components Kits Technical Books Burglar alarm equip. CB Club needs.
- We have a range of data books for your use — or purchase your own copy.
- We stock a full range of security equipment Installation companies check our prices.
- If you are having technical problems with your equipment drop in and have a chat, perhaps we can help you.
- If you don't see what you want displayed, please ask us, we can probably obtain it for you.

• MAIL ORDERS WELCOME  
SEND YOUR ORDER TO  
P.O. BOX 402,  
PARRAMATTA, 2150

• TRADE SALES WELCOME



383 MERRYLANDS ROAD,  
(CNR. BURNETT STREET)  
MERRYLANDS, N.S.W. 2160  
682-3325