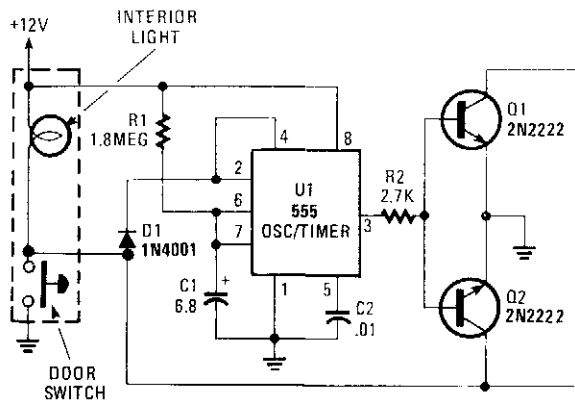


INTERIOR CONVENIENCE LIGHT



POPULAR ELECTRONICS

Fig. 11-3

When the door is closed, this circuit keeps the dome light on for a period determined by R_1/C_1 . The time is approximately $(1.1)R_1 \times C_1$.