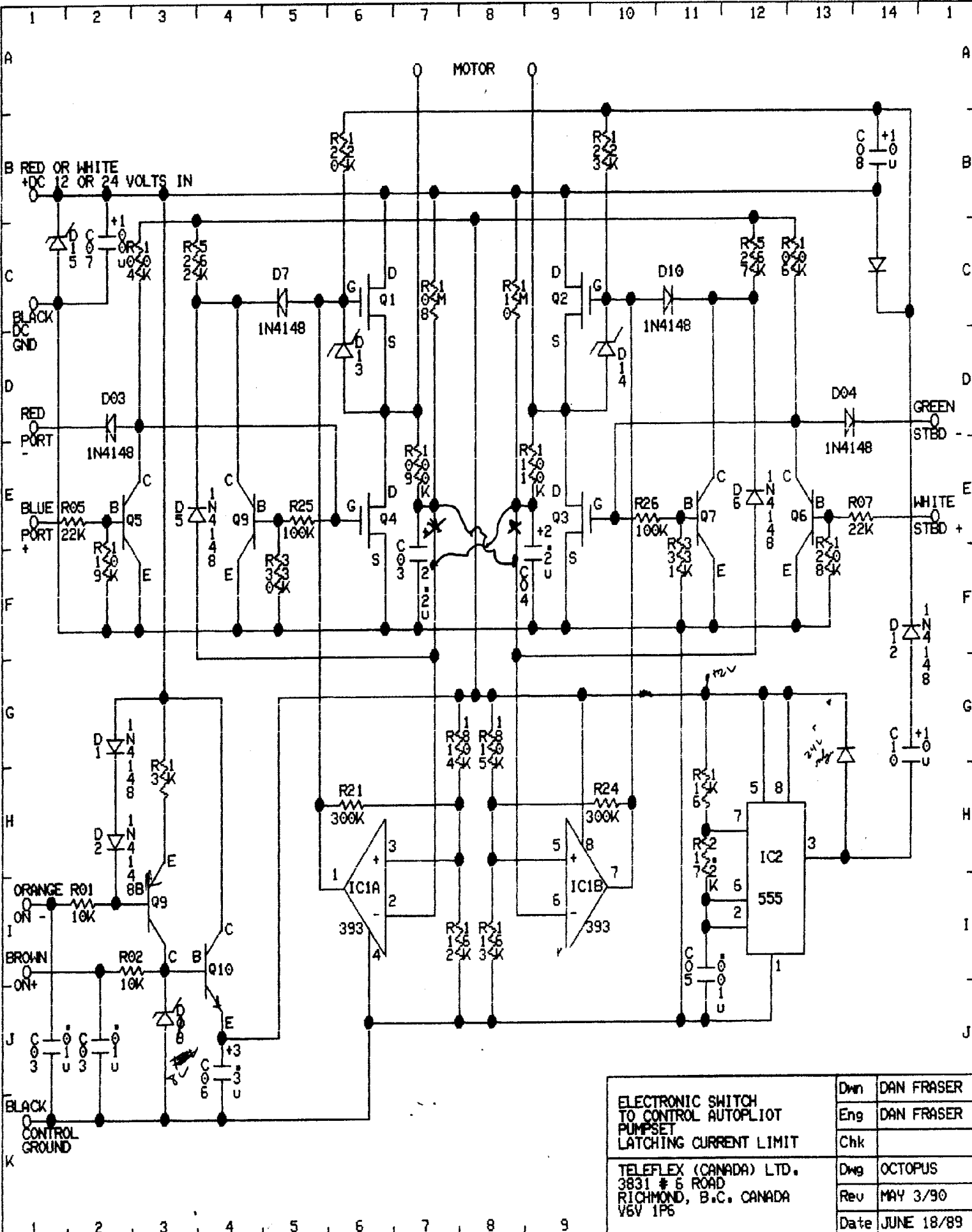


ELECTRONIC SWITCH TO CONTROL AUTOPILOT PUMPSET STANDARD CURRENT LIMIT	Dwn	DAN FRASER
	Eng	DAN FRASER
TELEFLEX (CANADA) LTD. 3831 # 6 ROAD RICHMOND, B.C. CANADA V6V 1P6	Chk	
	Dwg	MOTCON
	Rev	MAY 4/90
Date	JUNE 18/89	

5



ELECTRONIC SWITCH TO CONTROL AUTOPILOT PUMPSET LATCHING CURRENT LIMIT	Dwn	DAN FRASER
	Eng	DAN FRASER
	Chk	
TELEFLEX (CANADA) LTD. 3831 # 6 ROAD RICHMOND, B.C. CANADA V6V 1P6	Dwg	OCTOPUS
	Rev	MAY 3/90
	Date	JUNE 18/89