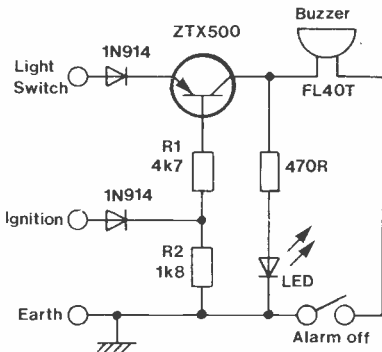


Simplified car lights reminder

J. M. Dunnett, Prestatyn, Clwyd

This circuit uses less components than the one published in Issue 1.

With the ignition off, the base of the transistor is held sufficiently low via R1 and R2 to cause it to conduct. If the lights are also on, 12V from the lighting circuit will pass through the conducting transistor and activate the buzzer.



If the ignition is switched on, the transistor base is taken high, it no longer conducts, and the alarm ceases.

The switch and LED are optional and are intended to cater for situations where the lights have to be left on with the ignition off.