

Fig. 9-1. Emergency road flasher.

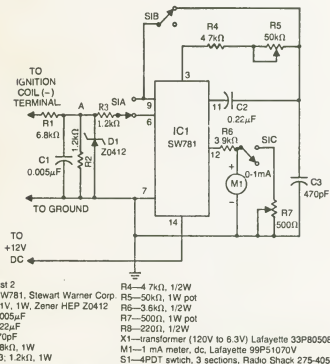


Fig. 9-2. Solid-state dwell/tachometer.

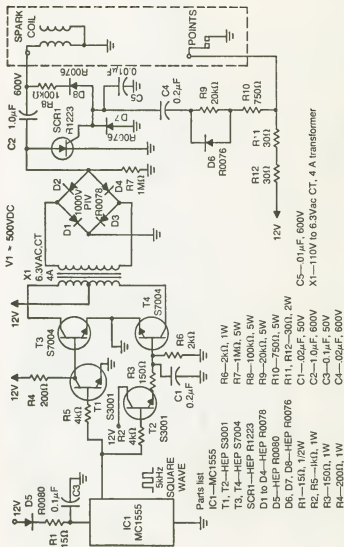


Fig. 9-3. Capacitive discharge ignition system.

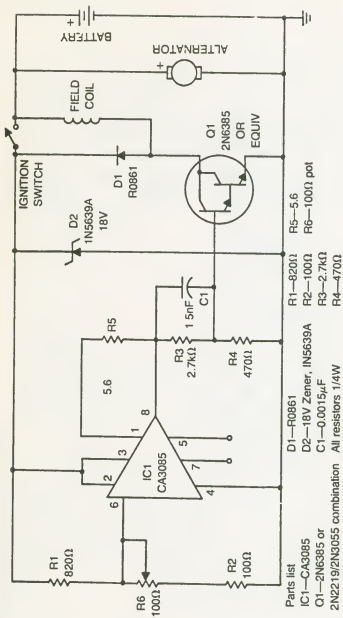
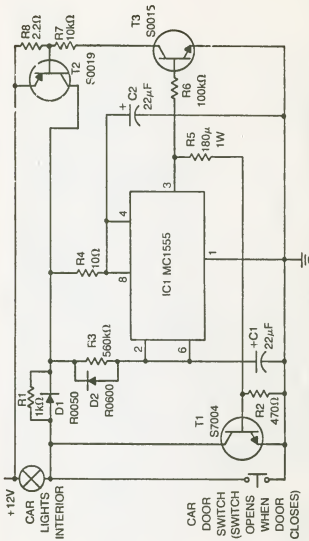
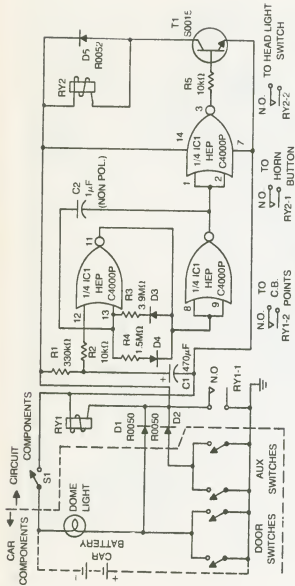


Fig. 9-4. Electronic regulator for car alternator.



- Parts list 4
 IC1—MC1555
 D1—HEP R0050
 D2—HEP R0600
 T1—HEP S7004
 T2—HEP S0019
 T3—HEP S0015
 C1, C2—22μF, 25V electrolytic
 R—560kΩ
 R1—1kΩ
 R2—470Ω
 R3—560kΩ
 R4—10Ω
 R5—180Ω
 R6—100kΩ
 R7—10kΩ
 R8—2.2kΩ
 otherwise stated
 R—560kΩ
 R4—10Ω
 R5—180Ω
 R6—100kΩ
 R7—10kΩ
 R8—2.2kΩ

Fig. 9-5. Car door light delay.



- Parts list 10
 IC1—HEP C4000P
 T1—HEP S001E
 D1, D2—HEP R0050
 D3, D4, D5—HEP R0052
 C1—470μF, 25V, electrolytic
 C2—1μF, nonpolarized
 All resistors 1/2W
 R1—330kΩ
 R2, R5—10kΩ
 R3—3.9MΩ
 R4—1.5MΩ
 RY1, RY2—12V relay, Lafayette 30P20047

Fig. 9-6. Microswitch vehicle immobilizer for positive voltage grounds.

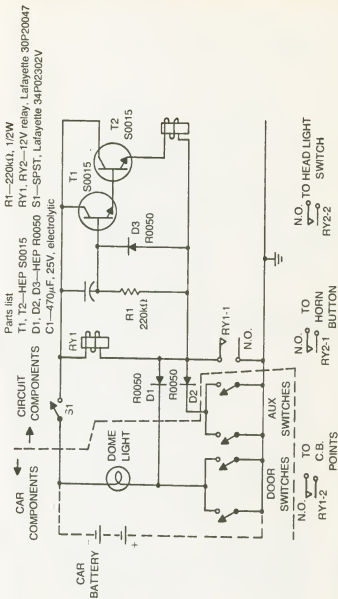


Fig. 9-7. Automobile immobilizer for minus ground systems.

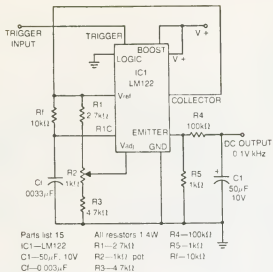


Fig. 9-8. Frequency-to-voltage converter (tachometer) output.

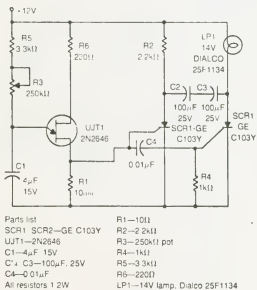


Fig. 9-9. 12 V flasher.

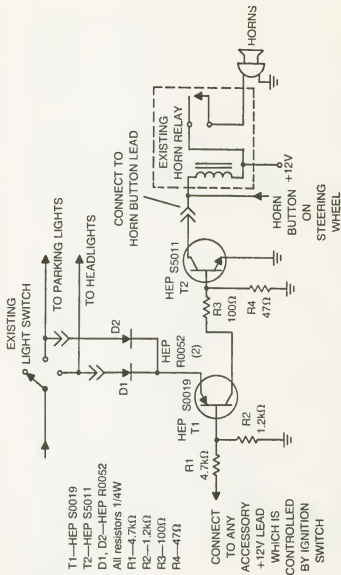


Fig. 9-10. Auto headlight reminder.

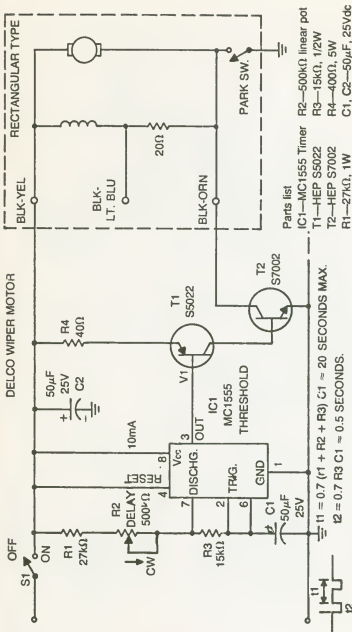


Fig. 9-11. Auto wiper control.