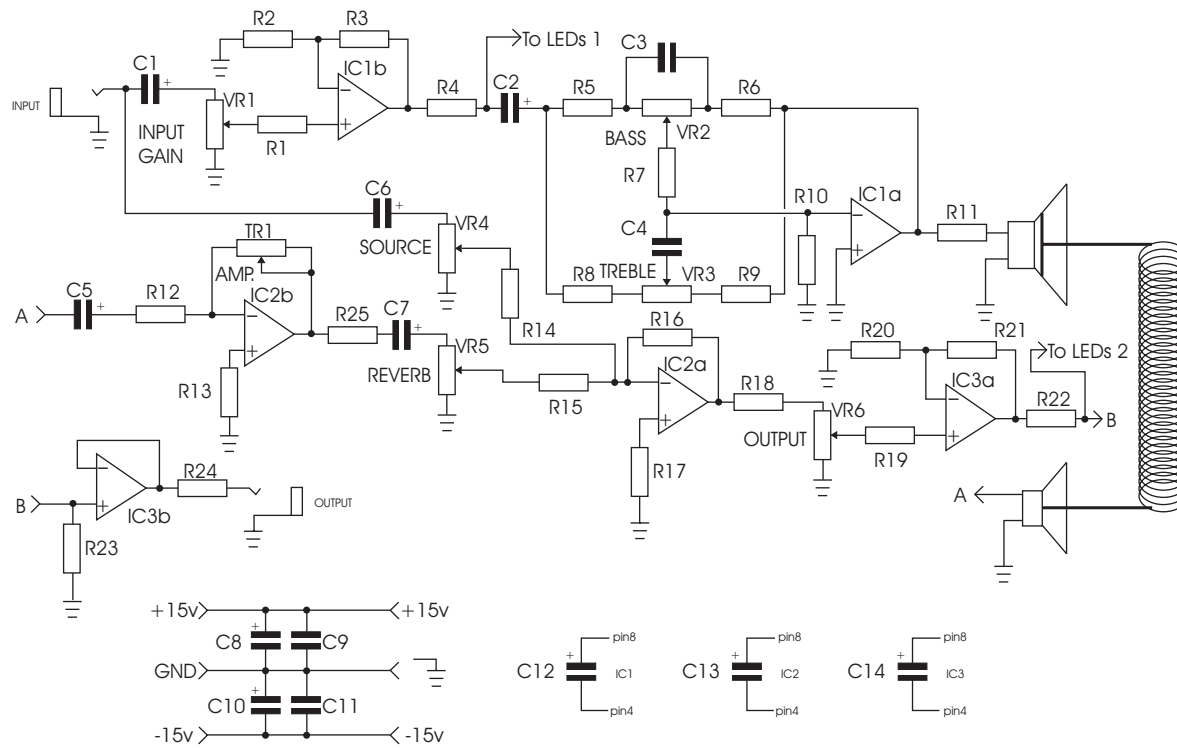


SPRING REVERB UNIT



- 820R = R10
- 1K = R4, R11, R18, R22, R24, R25
- 3K6 = R8, R9
- 6K8 = R17
- 10K = R12
- 11K = R5, R6, R7
- 22K = R1, R2, R14, R15, R19, R20
- 47K = R21
- 68K = R16
- 100K = R3, R13, R23
-
- 4n7 = C4
- 47n = C3
- 100n = C9, C11
- 10u = C1, C2, C5, C6, C7, C12, C13, C14
- 100u = C8, C10
-
- 10K = VR1, VR4, VR5, VR6
- 100K = VR2
- 470K = VR3
- 100K = TR1
-
- TL072 = IC1
- NE5532 = IC2, IC3



SPRING REVERB UNIT

PCB 50x85 mm

