

MEMORY MAP

F000	U7	EEPROM
E000	U6	RAM
D000	U2	
C000	U2	
B000	U2	
A000	U2	
9000	U2	
8000	U2	
7000	U1	
6000	U1	
5000	U1	
4000	U1	
3000	U1	
2000	U1	
1000	U1	
0000	U1	

AUX CONNECTIONS

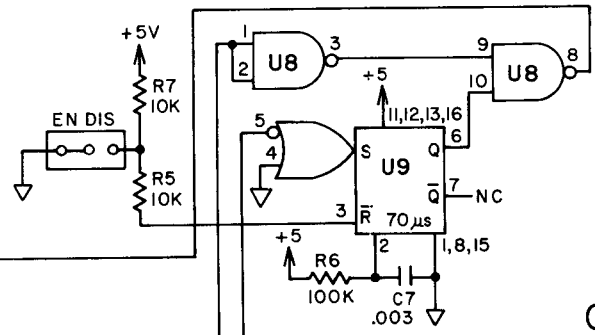
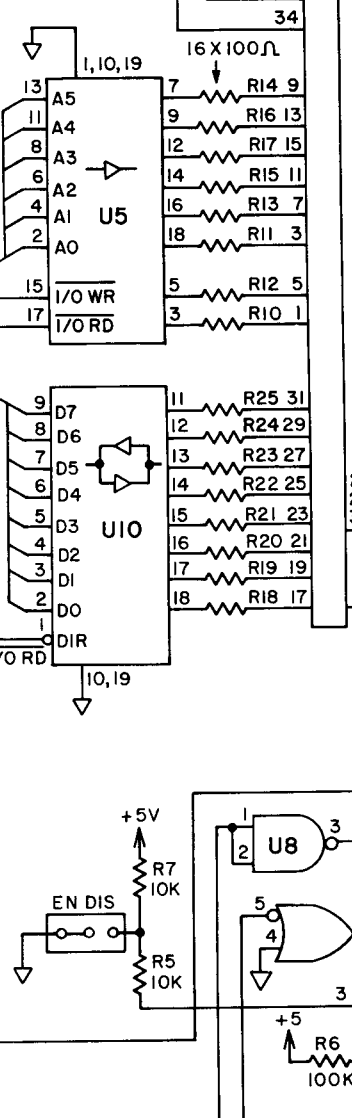
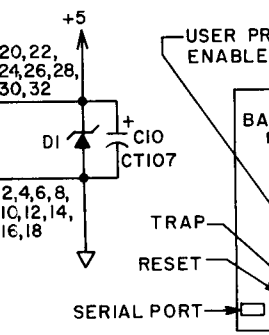
PIN	FUNC	PIN	FUNC
1	WR	16	N.C.
2	A12	17	+5
3	A7	18	A8
4	A6	19	A9
5	A5	20	A11
6	A4	21	RD
7	A3	22	A10
8	A2	23	IO/M
9	A1	24	A13
10	A0	25	A14
11	Z	26	A15
12	D6	27	D7
13	D5	28	D0
14	D4	29	D1
15	D3	30	D2

COMPONENT IDENTIFICATION

COMP.	TYPE	EC-
U1,2	27256	-
U3,4	74HC138	0179
U5	74HC244	0192
U6	2064	0262
U7	2864	-
U8,12	74HC00	0170
U9	4528	0206
U10	74HC245	0203
U11	74HC4040	0193
U13	74HC10	0221
U14	74HC373	0181
U15	8085	0115
U16	AY3-1015D	0105
U17	555	0004
Q1,2,3	ETMPS6515	
D1	JRO090-12	
D2,D3	IN4002	

OPTIONAL
SER SER
OUT IN
X5 X4
34-PIN
FLAT
CABLE

- NOTES:
- UNLESS OTHERWISE SPECIFIED, RESISTORS ARE RATED 1/4 WATT. RESISTORS ARE 1/4 WATT.
 - CAPACITANCE IS RATED IN FARADS. ALL CAPACITORS ARE CPRI-103 (.01) UNLESS OTHERWISE SPECIFIED.
 - MEMORY ACCESS TIME = ...
 - ▽ DENOTES CONNECTION COMMON.
 - SEE KC1459 FOR PREDICTION. VC7164.
 - TC4410 IS USED ON TELETYPE. TCS4510 IS USED ON TELETYPE.



M
CE

DRG. NO.	KCI554	D
DATE	5-13-87	
ISS.	CHANGE	
A	C6 WAS C13. C5 WAS C12, 1μF. C3 WAS C6. C4 WAS C7. R10 WAS R3. D2 WAS D3. D3 WAS D2. U1, PINS 11-19 WAS CONNECTED TO ADDRESS BUS. 7-1-87	
B	ADDED V14-5AB5. 12-1-87	
C	DELETED CHECKSUM TABLE. ADDED NOTE 6. ADDED TCS4510 TO TITLE. 12-10-87	
D	CPU WAS CPU2. ADDED X6 & 5VDC TO LAYOUT. 9-9-88	

MEMORY MAP

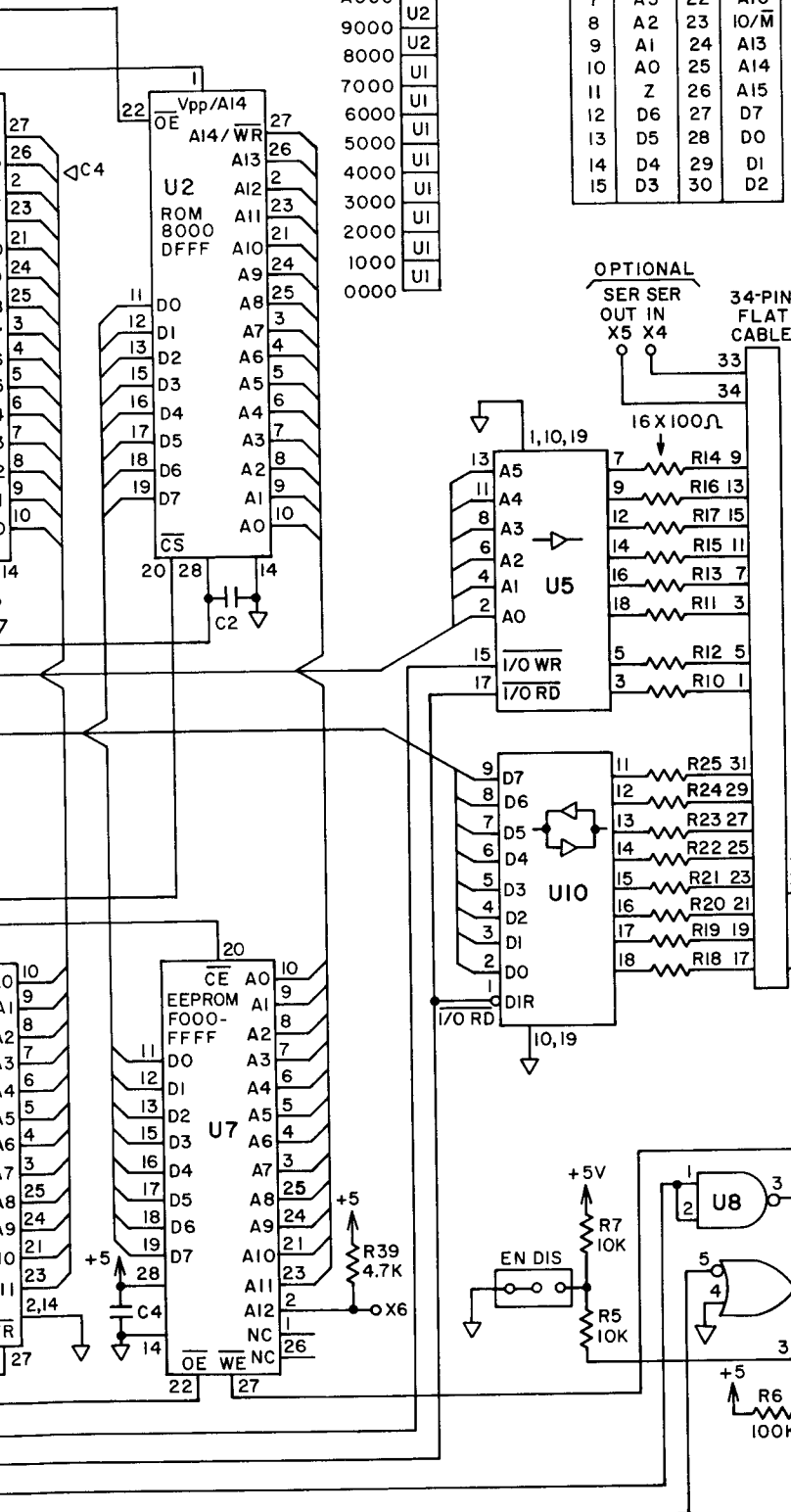
F000	U7	EEPROM
E000	U6	RAM
D000	U2	
C000	U2	
B000	U2	
A000	U2	
9000	U2	
8000	U2	
7000	U1	
6000	U1	
5000	U1	
4000	U1	
3000	U1	
2000	U1	
1000	U1	
0000	U1	

AUX CONNECTIONS

PIN	FUNC	PIN	FUNC
1	WR	16	N.C.
2	A12	17	+5
3	A7	18	A8
4	A6	19	A9
5	A5	20	A11
6	A4	21	RD
7	A3	22	A10
8	A2	23	10/M
9	A1	24	A13
10	A0	25	A14
11	Z	26	A15
12	D6	27	D7
13	D5	28	D0
14	D4	29	D1
15	D3	30	D2

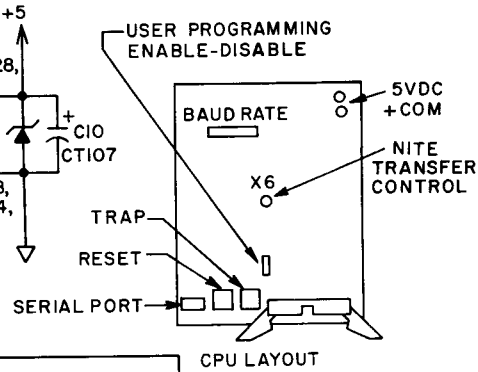
COMPONENT IDENTIFICATION

COMP.	TYPE	EC-	PIN NO'S.	
			GND(OV)	+5V
U1,2	27256	—	14	
U3,4	74HC138	0179	8	16
U5	74HC244	0192	10	20
U6	2064	0262	14	28
U7	2864	—	14	28
U8,12	74HC00	0170	7	14
U9	4528	0206	8	16
U10	74HC245	0203	10	20
U11	74HC4040	0193	8	16
U13	74HC10	0221	7	14
U14	74HC373	0181	10	20
U15	8085	0115	20	40
U16	AY3-1015D	0105	3	1
U17	555	0004	1	8
Q1,2,3	ETMPS6515			
D1	JR0090-12			
D2,D3	IN4002			



NOTES:

- UNLESS OTHERWISE SPECIFIED, RESISTORS ARE RATED IN OHMS ±5%. RESISTORS ARE 1/4 WATT.
- CAPACITANCE IS RATED IN MICRO-FARADS. ALL CAPACITORS ARE CPRI-103 (.01) UNLESS OTHERWISE SPECIFIED.
- MEMORY ACCESS TIME = 300 ns.
- ∇ DENOTES CONNECTION TO CIRCUIT COMMON.
- SEE KCI459 FOR PREDECESSOR CPU, VC7164.
- TC4410 IS USED ON TELECENTER IV. TCS4510 IS USED ON TELECENTER TCS.



CPU
MODEL TC4410/TCS4510
CENTRAL PROCESSING UNIT
RAULAND-BORG CORP.

MADE IN U.S.A.
KCI554 D