

# TELECENTER® IV

## SYSTEM DESIGN GUIDE

### ORDER FORM

Before you complete the detailed Telecenter IV  
Order Form fill in the information below

Distributor (your name and address):

Installation For (customer's name and address):

---

---

---

---

---

---

Please provide the following data:

TC4110 or TC4120 Speaker Circuit Quantities	TC4120 Single Link Phone Circuits Quantities	TC4150 Administrative or Multi Link Phone Circuits Quantities
Speaker <i>only</i> lines	XXXXXX	XXXXX
Speakers with call switches	XXXXXX	XXXXX
Speakers with Single Link Phones		XXXXX
Speakers with Multi Link Phones	XXXXXX	
Multi Link Phone <i>on/y</i> lines	XXXXXX	
Administrative phone only lines	XXXXXX	
Administrative phones with speakers	XXXXXX	
Central office lines	XXXXXX	
TC4160 Added Intercom Channels	XXXXXXX	

Number of TC4110/TC4120 to be assigned to each Intercom Channel

I.C. Channel-1 \_\_\_\_\_

I.C. Channel-2 \_\_\_\_\_

I.C. Channel-3 \_\_\_\_\_

I.C. Channel-4 \_\_\_\_\_

I.C. Channel-5 \_\_\_\_\_

I.C. Channel-6 \_\_\_\_\_

Any Special Requirements and/or Optional Equipment-Please list: \_\_\_\_\_

---

---

---

IMPORTANT: 1. Use rack diagram sheet for panel layout design (attached)

# ORDER FORM

## ***TELECENTER IV BASIC EQUIPMENT***

MODEL NO.	DESCRIPTION	QUANTITY	RACK SPACE	UNIT PRICE	TOTAL PRICE
TC4001	Central Control (one required in a system)	1	a.75		
TC4150	Line Link Module (one required for each 16 Multi-Link Telephone Lines)		None mounts In TC4140		
TC4140	Expander Chassis (holds up to five TC4150 Line-Link Modules)		7.00 ea.		
TC4110	Speaker Control Assembly (one required for each 25 speaker line)		Mounts on switch panels		
TC4120	Speaker Control Assembly Rack Mounted (one required for each 25 speaker lines)		1.75 ea.		
TC4120	For Single Link Telephone Lines (one required for each 25 telephone lines) TW25 Two Wire Adaptor cannot be used with Single Link Telephones		1.75 ea.		
TC4130	Speaker Control Assembly with OFF Bus-Rack Mounted (one required for each 25 speaker lines)		1.75 ea.		

### FOR ALL CALL ADD:

Power Amplifier ( ) specify appropriate model for required power. If programming is provided Channel A amplifier is used for all All-Call. See Notes.		Function of Amp.		
---	--	------------------	--	--

### FOR DISTRIBUTION OF ALARM SIGNALS AND SINGLE CHANNEL TIME SIGNALS:

MTG100	Tone Generator Module uses All Call amplifier		Mounts in TC4001		
--------	---	--	------------------	--	--

### FOR 8 AREA ZONE PAGING ADD:

Power Amplifier ( ) specify appropriate model for required power. See Notes.		Function of Amp.		
--	--	------------------	--	--

TOTAL \_\_\_\_\_

- NOTES:**
1. The FD150 Amplifier **cannot** be used with Telecenter IV Systems.
  2. The CCA Series Amplifiers require factory modification when used with the Telecenter IV The modified **amplifiers** will be marked SPXCCA \_ \_ \_ \_ \_

# ORDER FORM

## *TELEPHONE ACCESSORY EQUIPMENT*

MODEL NO.	QUANTITY	RACK SPACE	UNIT PRICE	TOTAL PRICE
-----------	----------	------------	------------	-------------

### TELEPHONES

TC4202	Administrative Telephone Single-Line, less display with Tap Button				
TC4211	Administrative Telephone Single-Line with display and Tap Button				
TC4250	Administrative Telephone with 5 line key and display. Used with key system.				
TC4300	Administrative Telephone Single Line				
CRT3	Remote (Staff) Telephone Desk or Wall Mount w/Ringer				

### WALL DISPLAY

TC4200	Wall Display (Requires local AC Power) <b>NOTE: Maximum of 6 Displays in a system, including Display Telephones</b>		None Mounts in 5 Gang Box		
--------	--	--	---------------------------	--	--

### REMOTE SPEAKER STATIONS

RS505	Universal Speaker Module. Used with P2307, PBS113, PCS113 and RS500 Series Switches		None Mounts in 3 Gang Box		
DSS-1	Dormitory Station: Wall Type, Flush Mounted (Requires 28VDC power source)		None Mounts in 2 Gang Box		

### HIGH SECURITY INTERCOM STATIONS

HSS1	Vandal Proof Station with Speaker and Call-in Switch		None Mounts in 3 Gang Box		
HSS2	Vandal Proof Station with speaker only		None Mounts in 3 Gang Box		
HSS3	Vandal Proof Call-in Switch		Mounts in Single Gang Box		

TELEPHONE/ACCESSORY EQUIPMENT TOTAL \_\_\_\_\_

Add this total to Telecenter IV Equipment Total

# ORDER FORM

## ***ACCESSORY EQUIPMENT***

MODEL NO.	QUANTITY	UNIT PRICE	TOTAL PRICE
-----------	----------	------------	-------------

### **CALL IN SWITCHES**

OS10A	Three-Position, Spring Return From "Call"			
OS11A	Two-Position, Spring Return From "Call"			
23028	Non-Locking Rotary			
2304FA	Momentary Pushbutton Type			
P2307	Three-Position-Rocker-Spring Return			
RS504	Door Entry Station: Three Buttons-Call, Talk Door			
RS506	Pull Chain Switch: Momentary Type			
RS507	Push Button Switch: Momentary Type			
PBS1 13	Push Button Bath Station with Remote Cancel. Requires 12 VDC.			
PCS1 13	Pull Chain Bath Station with Remote Cancel. Requires 12 DC.			

### **SPEAKERS-HORNS**

US0188	8" Speaker With Transformer (25V)			
49902-8CL	8" Speaker-Wall Baffle Assembly			
3701	15W Page/Talkback Horn			
3702	30W Page/Talkback Horn			
3703	30W Wide Ang. Page/Talkback Horn			
3601	15W Page/Talkback Horn			
3602	30W Page/Talkback Horn			
3603	30W Wide Ang. Page/Talkback Horn			

### **CLOCK SYSTEM ACCESSORIES**

See Separate Design Guide For Clock Systems
---

TOTAL \_\_\_\_\_

PAGE 3 TOTAL \_\_\_\_\_

SYSTEM TOTAL \_\_\_\_\_  
With Accessories

# ORDER FORM

## **TELECENTER IV EQUIPMENT (C~..)**

MODEL NO.	QUANTITY	RACK SPACE	UNIT PRICE	TOTAL PRICE
-----------	----------	------------	------------	-------------

### **FOR 8 CHANNEL TIME SIGNALS ADD:**

MTG100	Tone Generator Module (not required if MTG100 is provided for Alarm Sianals).	Mounts in TC4001		
	Power Amplifier ( ). Specify appropriate model for required power. NOTE: Only one amplifier is required for both Time Signals and Zone Paging.	Function of Amp Selected		

### **FOR ADDITIONAL INTERCOM CHANNELS ADD:**

TC4160	Voice Controlled Amplifier Module. Each module must have its own assigned TC4110/TC4120 assemblies	None mounts in TC4001(1) or TC4165		
TCS4560	VCM Expander Chassis. Holds two TC4160 Modules. Includes Power Supply.	3.50 ea.		

NOTE: 1. Each TC4160 Module requires a line on the TC4150 Module.

### **FOR RACK MOUNTED GRAPHIC DISPLAY MODULES ADD:**

TM432	Graphic Display Module. One required for each 32 remote lamps.	None mounts in TMC433		
TMC433	Graphic Display Module Chassis. (Holds up to 14 TM432 Modules.)	5.25		

NOTE: Display Lamps require separate power supply.

### **FOR TWO WIRE CALL IN ADD:**

TW25	Two Wire Adaptor Module (one required for each TC4110 or TC4120 Speaker Control Assy.) Use with speaker only locations.	Mounts on rear TC4110 or TC4120		
LO-0284	Simplex Choke (one required for the "OFF" buss and each program buss).	None		
PSL25	Power Supply (one required per system).	None		

NOTE: Two wire adaptor may not be used with Single Link Staff Telephones.

### **TO INTERCONNECT SYSTEM ADD:**

TC4171	Central Office Adaptor. One required for each CO. Line. Each TC4171 requires a line on the TC4150.	None mounts in TC4180		
TC4181	Line Amplifier. One required for each TC4171.	None mounts in TC4180		
TC4180	Interconnect Chassis. Holds up to five TC4171 Modules and five TC4181 Line Amplifiers	3.50 ea.		

NOTE: A 24VDC Power Supply is required for five TC4181 Line Amplifiers. Use Model 6400.

### **FOR CALL CONTROL CONSOLE USE ADD:**

TC4400	Call Control Console.	None mounts Remotely		
TC4420	Console Interface Assembly. (Required with console)	None mounts in TC4001		
TC4430	Power Supply (Required with console)	None mounts at console		
TC4440	Console Junction Box (Required with console)	None mounts at console on single gang box		

NOTE: 1. TC4430 requires local AC Power.

2. System must include TC4410 CPU card with vers. 100 or higher software identity.

Telecenter IV Equipment (Page 2 a 3)	TOTAL _____	Crating TOTAL _____
Program-Rack Equipment (Page 4)	TOTAL _____	System TOTAL _____
Telephone Accessory Equipment (Page 5)	TOTAL _____	

# ORDER FORM

## ***PROGRAM RACK EQUIPMENT***

MODEL NO.	QUANTITY	RACK SPACE	UNIT PRICE	TOTAL PRICE
-----------	----------	------------	------------	-------------

### **OPTIONAL PROGRAM EQUIPMENT**

( ) Channel "A" Amplifier- Specify appropriate model for power required. Model _____ See Notes on Page 2.		Function of Amp.		
PRO1 03	Program Preamplifier		1.75	
PRO1 05	Program Preamplifier		1.75	
MPX11 00A	Monitor Panel -Used when monitoring is required with PRO Series Preamplifiers		3.50	
MCA1 00A	Program Preamplifier (with all-call switch)		3.50	
MCB100A	Program Preamplifier		3.50	
SRX173	Tuner/Cassette Tape player		3.50	
MCI-210	Master Control Panel		3.50	
MCB-200	Program Control Channel "B"		1.75	
( ) Channel "B" Amplifier - Specify appropriate model for power required. Model _____ See Notes on Page 2.		Function of Amp.		
SW25	Switch Panel (3-position)		1.75	
SWT425	Switch Panel (4-position)		2.625	
MCR100A	All-Call Relay (req'd. for MCA All-Call)		None Req'd.	

TOTAL \_\_\_\_\_

### **OPTIONAL TIME PROGRAM EQUIPMENT**

2424NU	Master Clock		3.5	
2490	Master Clock		1.75	
24001P	Instruction Panel (2424NU)		1.75	
2493	Instruction Panel (2490)		1.75	
2495	Chrome Face Panel for 2490		1.75	

**NOTE:** See Separate Design Guide for Complete Clock System Equipment listing.

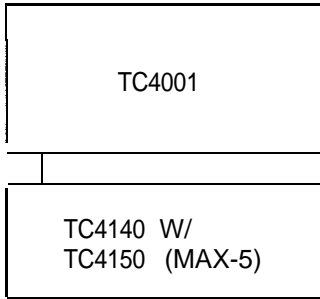
### **EQUIPMENT RACK- PROGRAM CONSOLE**

RP	( ) Equipment Rack: (Specify type after determining size).			
DT2600	Desk Turret			
DT3600	Desk Turret			
Blank Panels-After determining total rack requirements and appropriate panels				

PROGRAM RACK EQUIPMENT

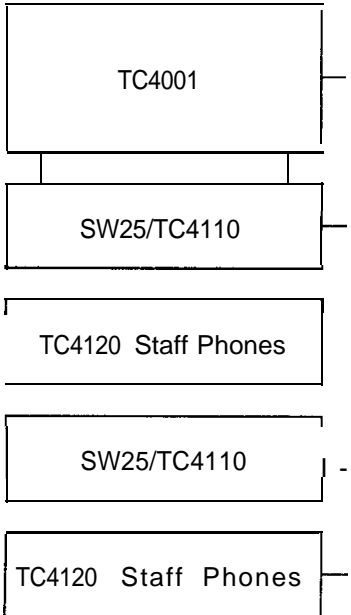
TOTAL \_\_\_\_\_

# TYPICAL SYSTEMS



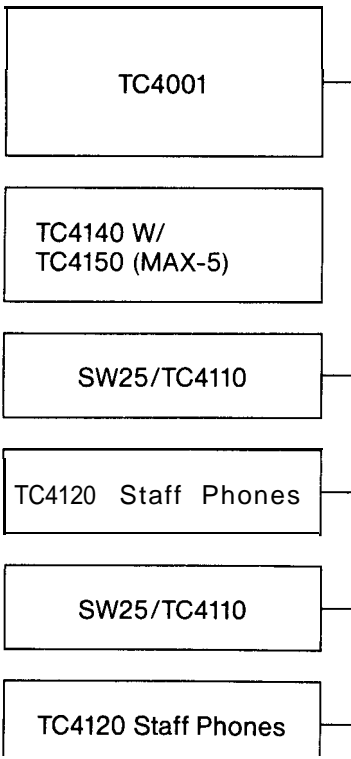
## SYSTEM 1

Provides lines for up to (90) Administrative Telephones and/or Multi-Link Staff Telephones. Ten Lines are provided by the TC4001. Additional lines can be provided in multiples of (16) by adding the TC4150 modules to the TC4140 Chassis. Maximum of (5).



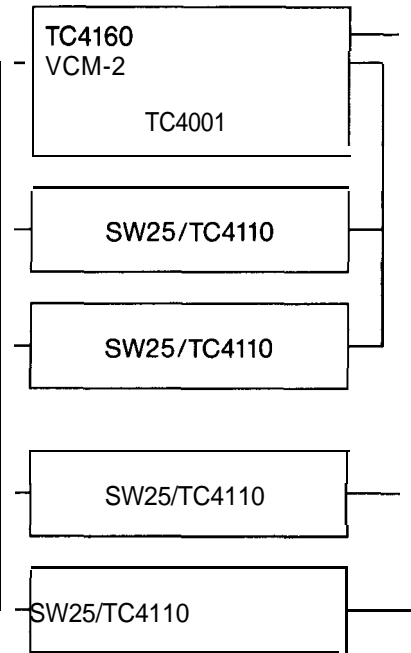
## SYSTEM 2

Provides lines for (10) Administrative Telephones and (50) speaker lines with (50) lines for associated Single Link Staff Telephones. If switch panels are not required, the TC4120 or TC4130 is used for speaker locations.



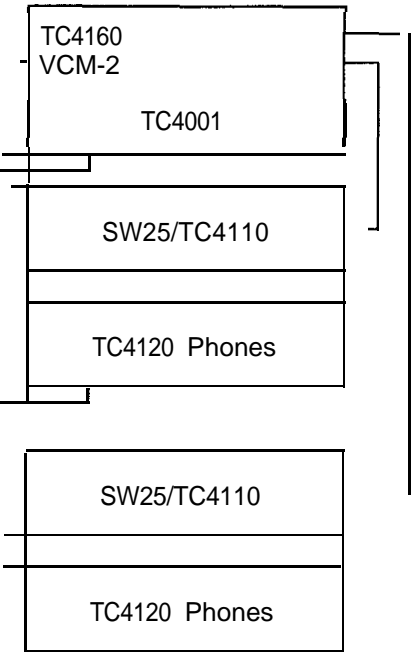
## SYSTEM 3

Provides lines for up to (90) Administrative Telephones and/or Multi-Link Staff Telephones. The system also provides (50) lines for speakers with (50) lines for associated Single Link Telephone.



**SYSTEM 4**

Provides lines for (10) Administrative Telephones with two voice amplified intercom channels. System provides (50) speaker lines assigned to each intercom channel. Additional speaker lines must be assigned to each intercom channel in multiples of 25. The intercom channels cannot share the same TC4110 or TC4120.



**SYSTEM 5**

Provides lines for (10) Administrative Telephones with two voice amplified intercom channels. System provides (25) speaker lines assigned to each intercom channel. The system also provides (50) lines for Single Link Staff Telephones.

NOTE: In a multiple channel intercom system the Single Link Phones remain **as a Single Link** phone system.



# RACK LAYOUT GUIDE

USE THIS GUIDE TO ROUGH IN YOUR PANEL SPACE REQUIREMENTS. MAKE SURE YOU HAVE ADEQUATE RACK SPACE. TWO RACKS MAY BE ASSEMBLED INTO A DUAL RACK ASSEMBLY

CHECK:  SEPARATE  DUAL ASSEMBLY.

AVAILABLE  
RACK SIZES

