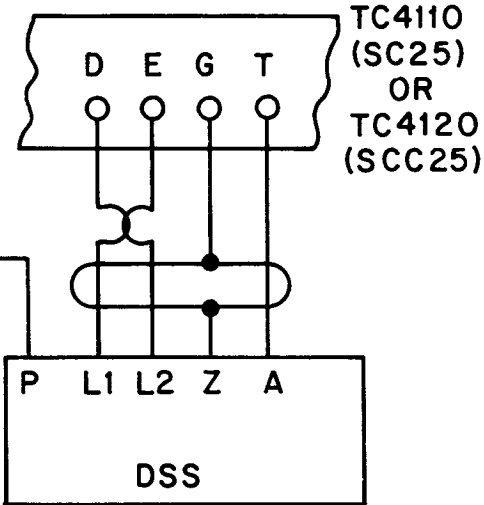
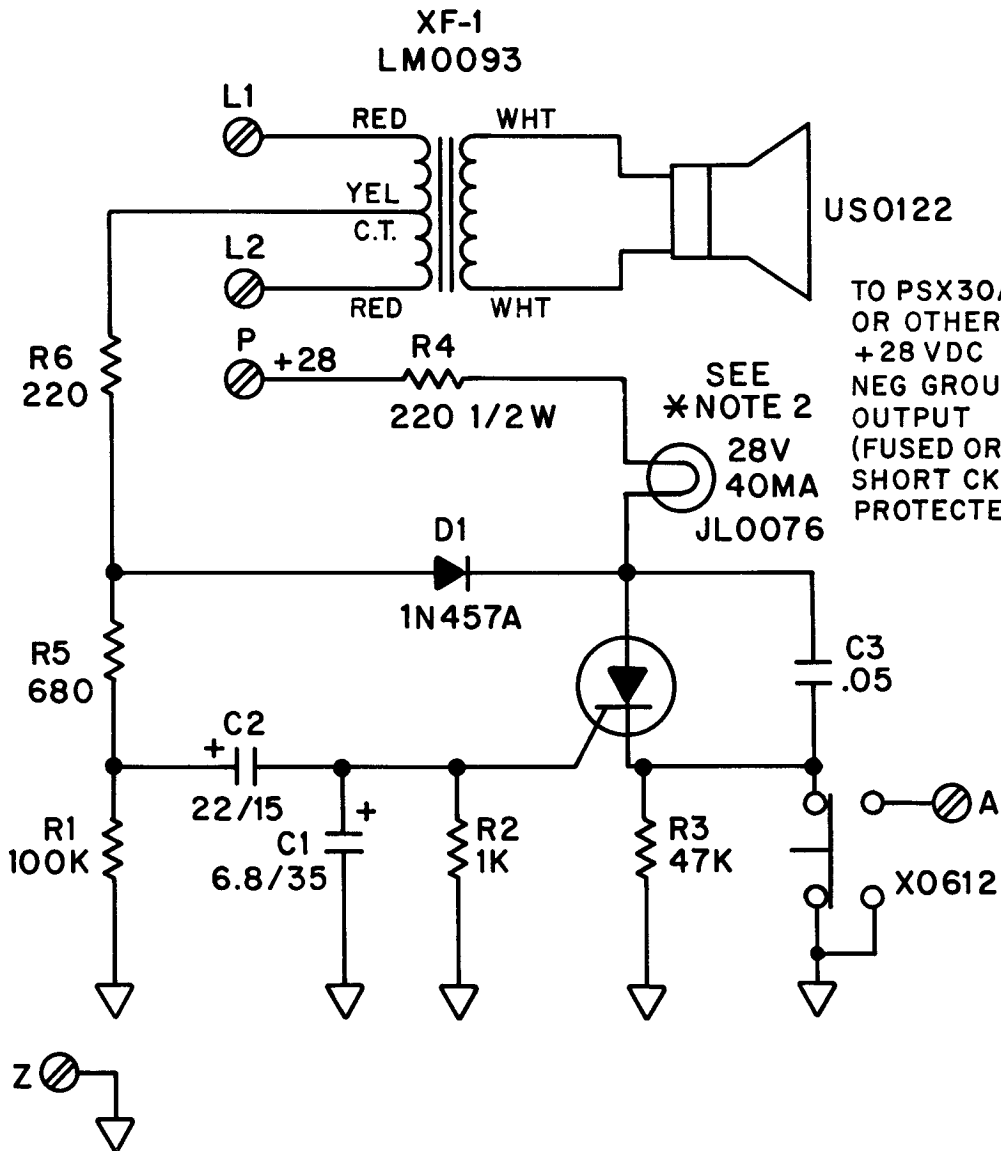


| | |
|----------|-----------------|
| DRG. NO. | |
| KM0511 | C |
| DATE | |
| 2-13-77 | |
| ISS | |
| CHANGE | |
| B | UPDATED FOR TC4 |
| | 6-9-87 |
| C | ADDED SC25 AND |
| | SCC25. 9-7-88 |

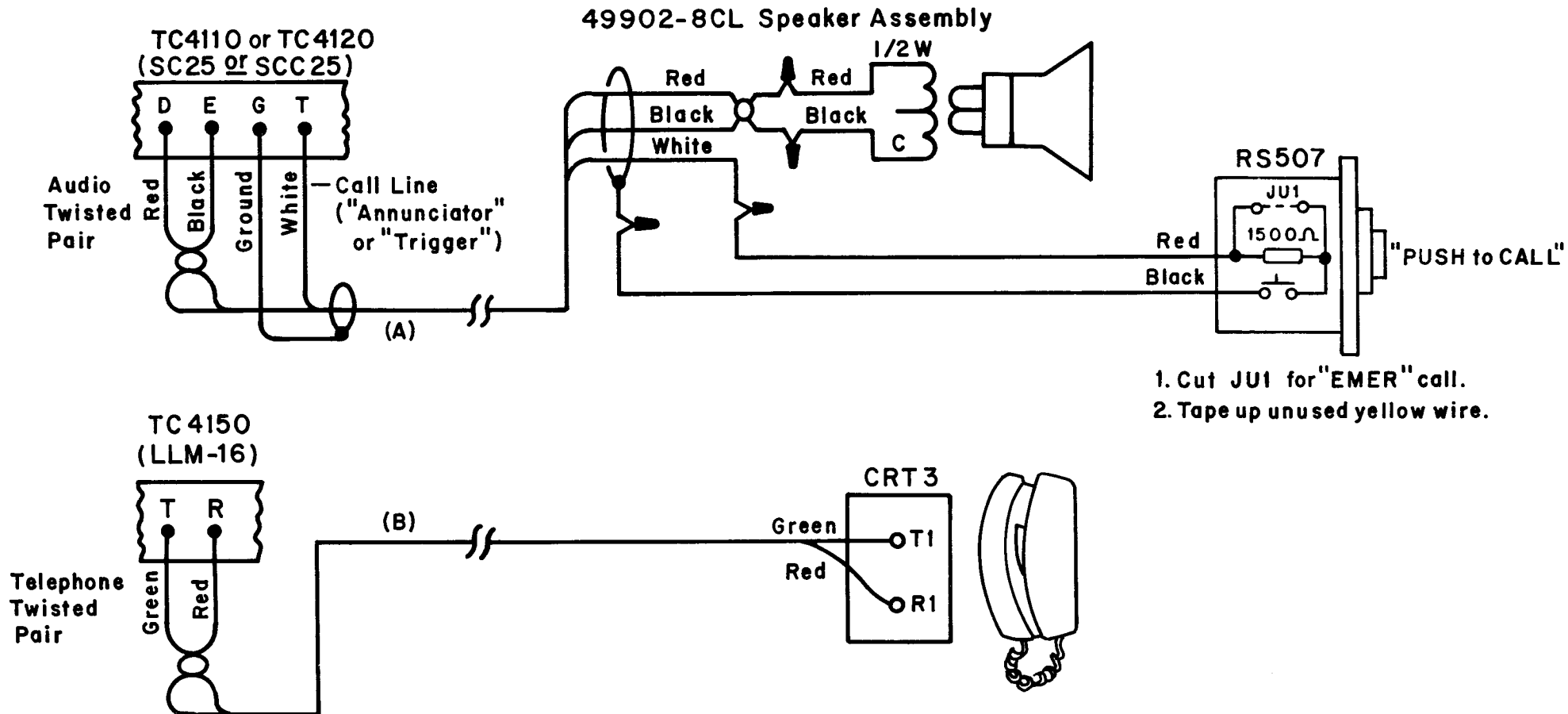


NOTES:

1. PUT WIRE UNDER DESIGNATED SCREW TERM. AND TIGHTEN DOWN.
2. WHEN DSS IS CALLED, LAMP COMES ON AND REMAINS ON (40 MA) UNTIL LIGHTED PUSH BUTTON IS PRESSED. WHEN TESTING SYSTEM, CALL STATIONS, RESETTING AS REQUIRED TO AVOID POWER SUPPLY OVERLOAD (25 LAMPS).
3. TELECENTER MAXIMUM CONDUCTOR LENGTH:

| | |
|----------|---------|
| 2000 FT. | 22 AWG. |
| 3200 FT. | 20 AWG. |
| 5000 FT. | 18 AWG. |

**DORM STAFF STATION
WIRING DIAGRAM DSS-1
RAULAND-BORG CORP.
SKOKIE, ILL.
KM0511 C**



1. Cut JU1 for "EMER" call.
2. Tape up unused yellow wire.

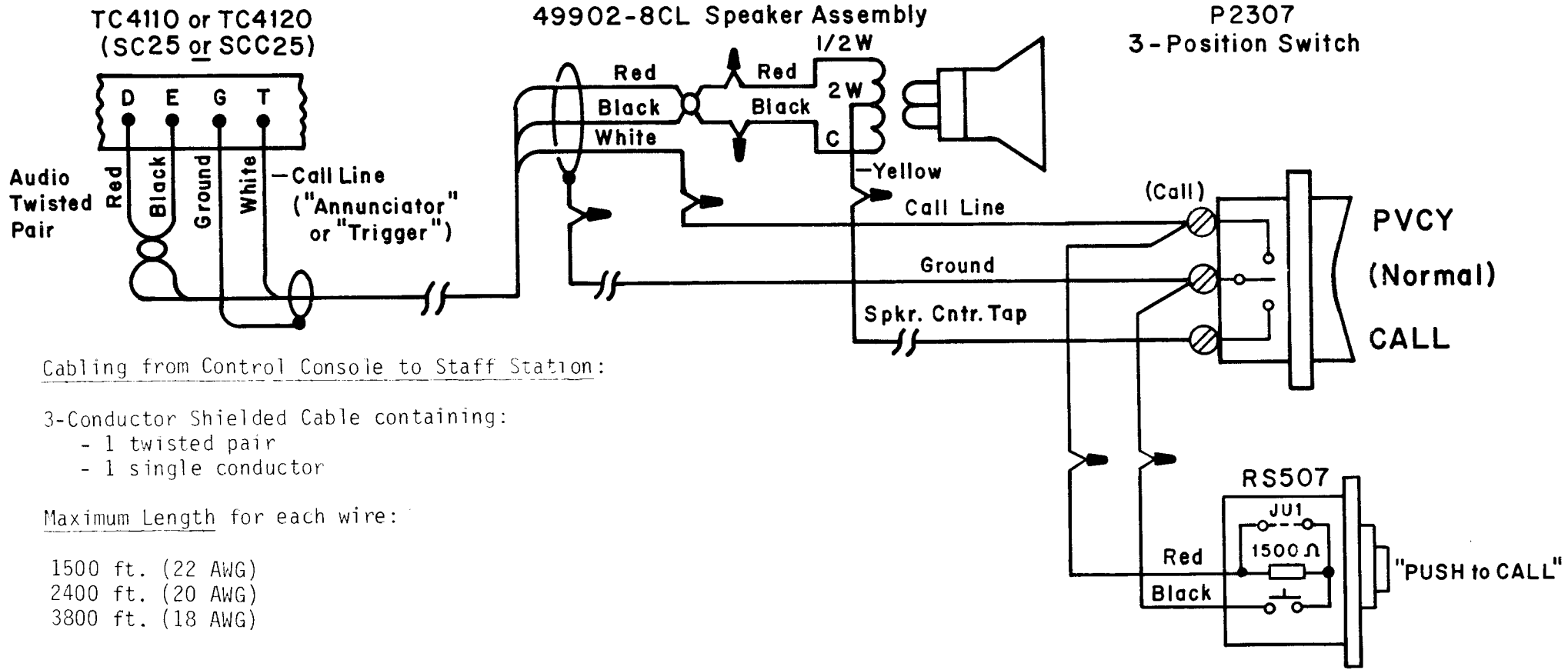
Cabling from Control Console to Staff Station:

- (A) 3-Conductor Shielded Cable containing:
- 1 twisted pair
 - 1 single conductor
- (B) Twisted Pair

Maximum Length for each wire:

- 1500 ft. (22 AWG)
- 2400 ft. (20 AWG)
- 3800 ft. (18 AWG)

Telecenter IV
STAFF STATION with:
Speaker, Multi-Link Phone,
and Emergency Switch
KM0681 [A]



Cabling from Control Console to Staff Station:

- 3-Conductor Shielded Cable containing:
- 1 twisted pair
 - 1 single conductor

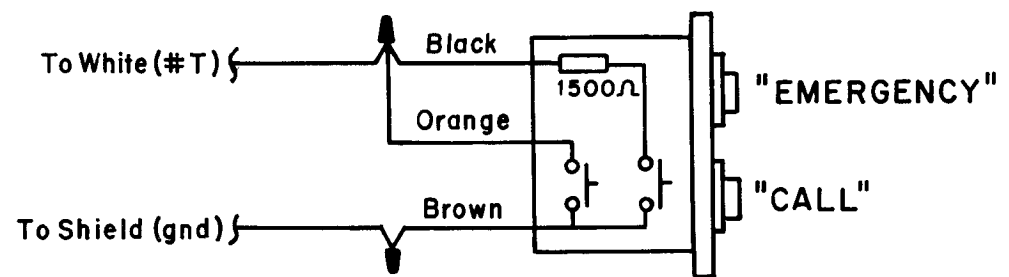
Maximum Length for each wire:

- 1500 ft. (22 AWG)
- 2400 ft. (20 AWG)
- 3800 ft. (18 AWG)

1. Cut JU1 for "EMER" call.
2. Tape up unused yellow wire.

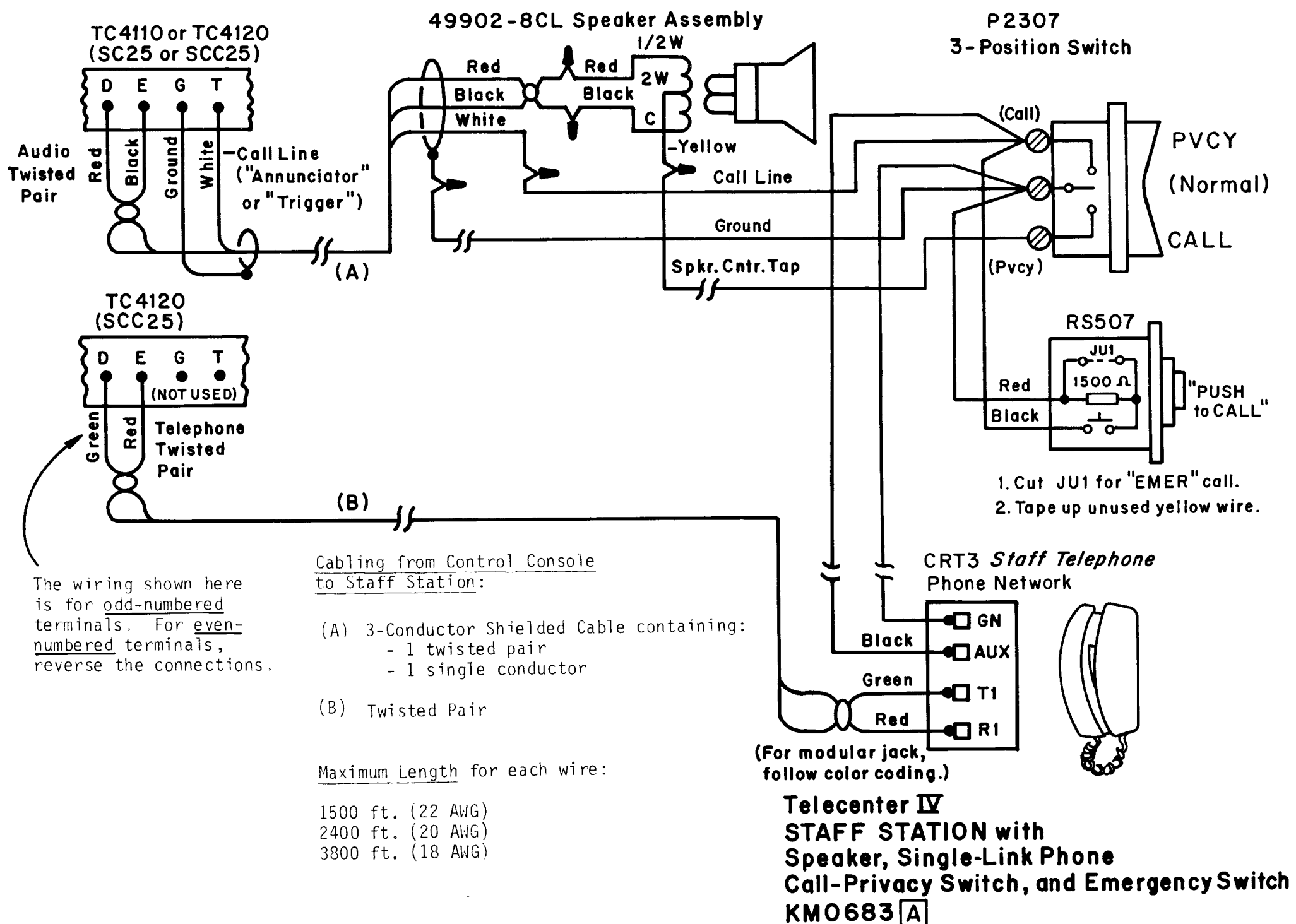
ALTERNATE

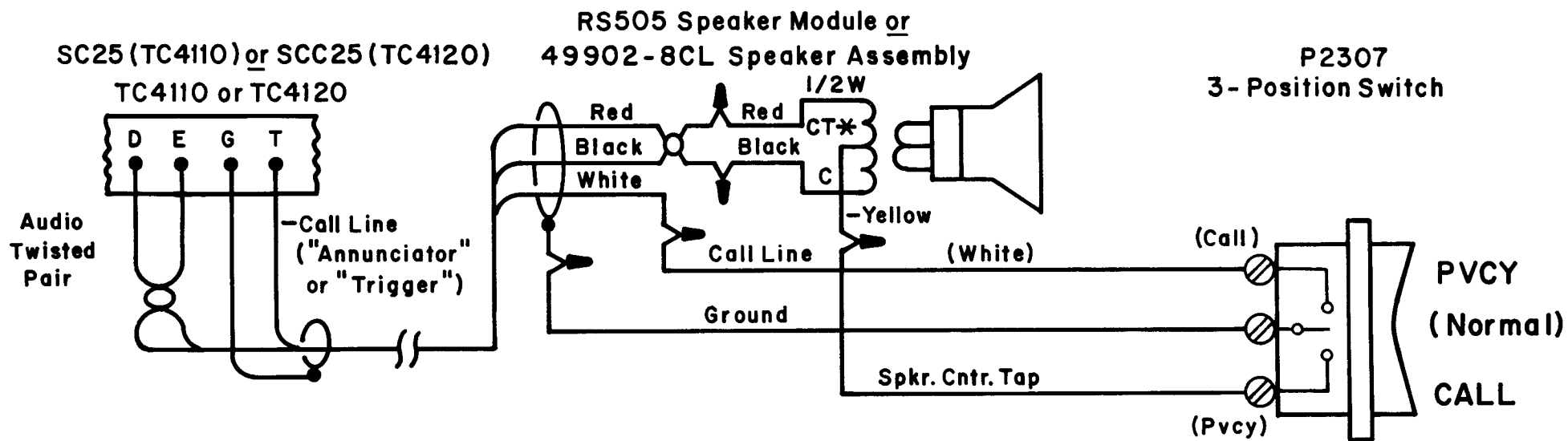
RS508 (FOR NORM & EMER CALL W/O PRIVACY)



Tape off red & yellow wires.

**STAFF STATION with:
Speaker, Call-Privacy Switch,
and Emergency Switch
KM0682 B**





Cabling from the Control Console to Staff Stations:

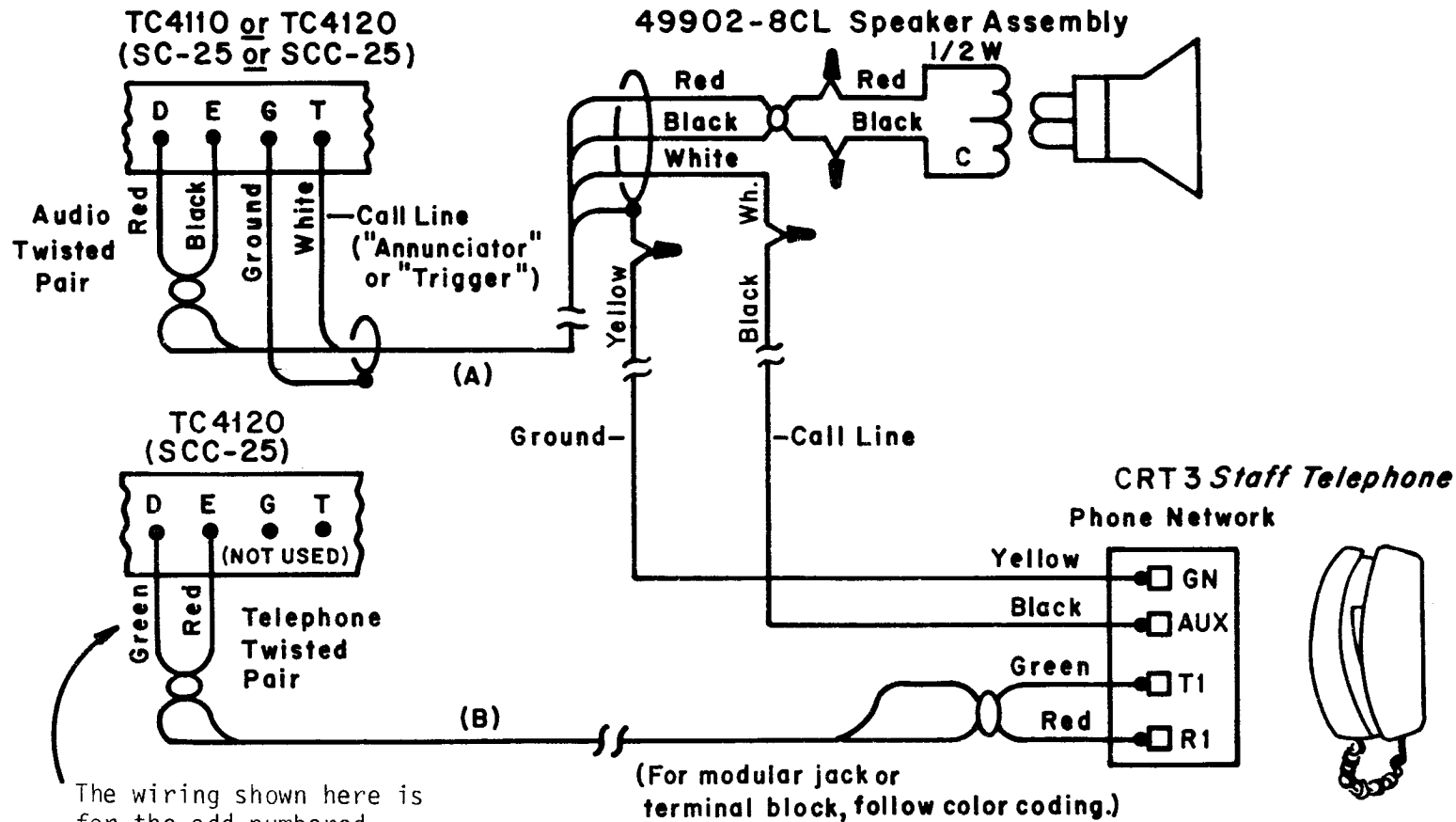
- 3-Conductor Shielded Cable containing:
- 1 twisted pair
 - 1 single conductor

Maximum Length:

- 1500 ft. (22 AWG)
- 2400 ft. (20 AWG)
- 3800 ft. (18 AWG)

* On the 49902-8CL (and US0188) speaker only, the center tap is marked "2W."

**STAFF STATION with
Speaker and
Call-Privacy Switch
KM0685 D**



The wiring shown here is for the odd-numbered terminals. For the even-numbered terminals, reverse the connections.

Cabling from the Control Console to Staff Stations:

- (A) 3-Conductor Shielded Cable:
 - 1 twisted pair
 - 1 single conductor
- (B) Twisted Pair

Maximum Length for each wire:

- 1500 ft. (22 AWG)
- 2400 ft. (20 AWG)
- 3800 ft. (18 AWG)

Telecenter IV
STAFF STATION with
Speaker and Single-Link Phone
KM0686 B