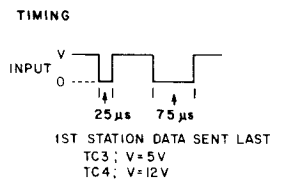
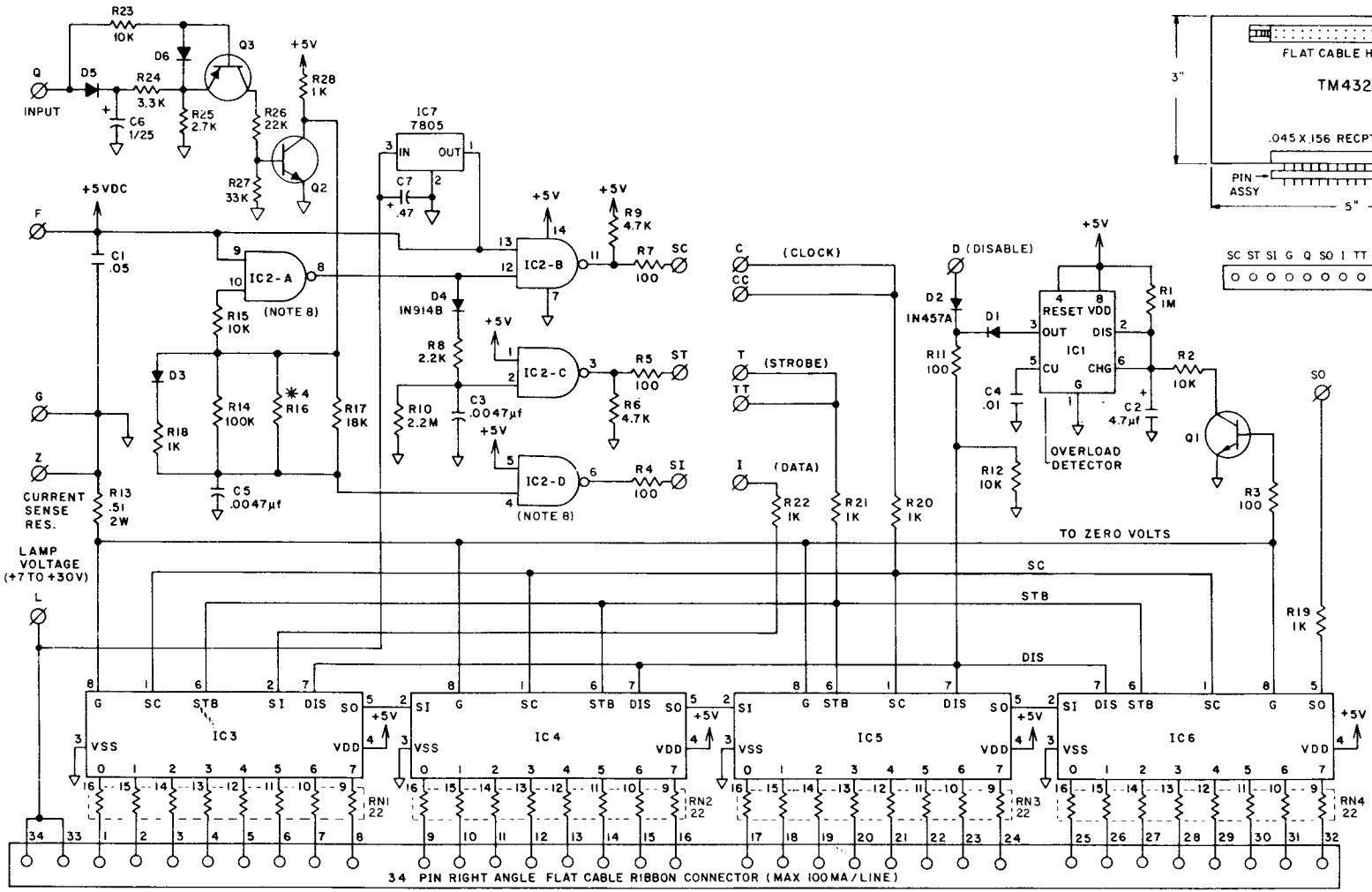
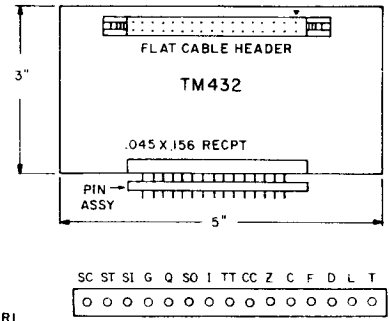


DWG.NO.	KC-1474	D
DATE	4-26-1985	
ISSUE	CHANGE	
A	SEE NOTE 8. 11-6-85	
B	IC1 WAS ECO004. 7-1-86	
C	DELETED NOTES 6-8. CHANGED NOTE 6. 12-10-87	
D	ADDED C7. 2-18-88	



- NOTES:
- UNLESS OTHERWISE SPECIFIED: RESISTANCE RATED IN OHMS $\pm 10\%$, 1/4 W. CAPACITANCE RATED IN MICROFARADS.
 - ⏚ DENOTES CONNECTION TO CIRCUIT COMMON.
 - ALL DIODES ARE 1N457A.
 - * R16 MAY BE INSERTED DURING TESTING TO GET NOMINAL 50µs RESPONSE TO FALL OF INPUT LOGIC SIGNAL. (MUST BE WITHIN 25-75µs)
 - WHEN USING LED'S INSTEAD OF LAMPS, CHANGE RN1 - RN4 (SOCKETED) TO GIVE DESIRE LED BIAS.
 - WIRING DIAGRAM FOR RT2002 IS KM0632.
WIRING DIAGRAM FOR TC4001 IS KM0674.
WIRING DIAGRAM FOR TCS4501 IS KM0833.

SCHEMATIC REF. NO.	RAULAND PART NO.	DESCRIPTION	SUPPLY +5 OV	TYPE
IC1	ECO244	TIMER	8	1 CMOS 555
IC2	ECO234	QUAD NAND GATE	7	74HC132
IC3-6	ECO163	SHIFT REG LATCH BUFFER	4	3 4821A
IC7	ECO058	REGULATOR, 5V		7805
Q1,2	ETMPS6515	NPN	-	E MPS6515
Q3	ETMPS6517	PNP	-	MPS6517
RN1-4	RQ0013	RES DIP	-	- 8 X 22 Ω

MODEL TM432
GRAPHIC ANNUNCIATOR MODULE
RAULAND BORG CORP.

MADE IN U.S.A.
KC-1474 D