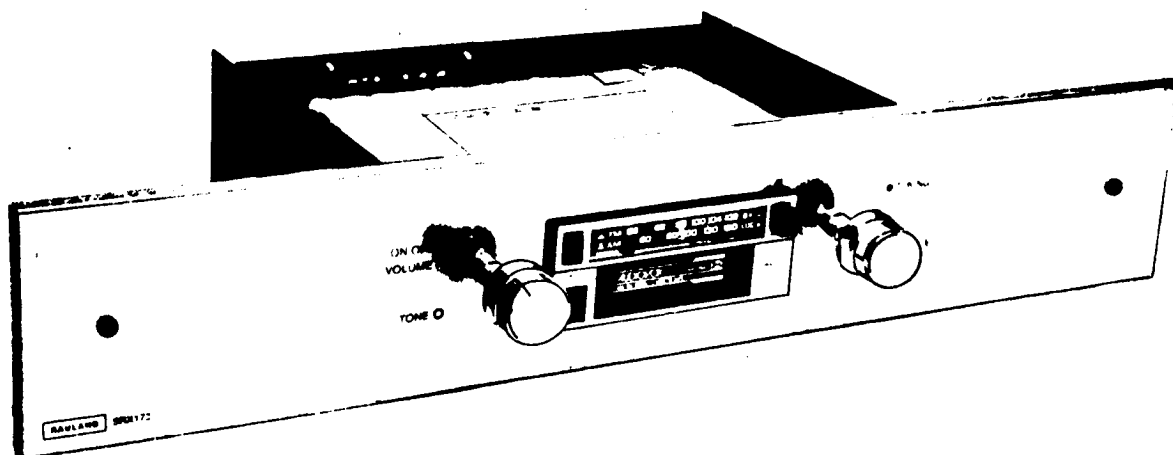




MODEL SRX173
AM-FM TUNER & CASSETTE TAPE PLAYER

RAULAND-BORG CORPORATION • 3535 West Addison Street, Chicago, Illinois 60618 (312) 267-1300



GENERAL DESCRIPTION

The Rauland Model SRX173 AM-FM Tuner and Cassette Tape Player comes ready to be rack-mounted. It includes a separate 12-VDC power supply that can be plugged into any convenient 120-VAC power outlet. There are screw terminals for connecting the external antenna required for the AM-FM tuner, and an RCA-type phono jack for connecting the unit's unbalanced monaural audio output to a sound or communications system.

The 2-volt RMS maximum audio output provides an ample signal for the auxiliary input of an amplifier or a communications system. See the attached diagram KM-0688 for details about connections to the tuner and cassette player.

UNPACKING

The SRX173 comes assembled with its knobs and dress panel in place. The only separate items besides the main chassis are the 12-VDC power supply and screws and "U" nuts for fastening the chassis to the rack. (A more extensive parts list is given on page 5.)

Equipment Damaged in Transit

Rack-Mounting

- Step 1. Carefully pull off the four control knobs.
- Step 2. Remove the two WA87 6-32 x 3/8 pan-head screws and WJ0074 washers from the front dress panel; then remove the panel. Be careful not to mar the panel.
- Step 3. (a) If the rack's holes are tapped or include a snap-on nut, insert the SRX173 into the rack and fasten it there with four WA202 10-32 x 1/2 hex-head SEMS screws (supplied).

(b) If the rack's holes are untapped:
 - (1) Insert an AB1889 #10 "U" type nut (supplied) over each of the four holes that you will use. (On some extruded holes, you may have to omit the "U" nuts.)
 - (2) Insert the SRX173 and fasten it with four WA102 #10 thread-forming pan-head screws (supplied).
- Step 4. Carefully remount the dress panel and fasten it with the two WA87 6-32 x 3/8 pan-head screws and WJ0074 washers.
- Step 5. Push the control knobs back on. Do not push the inner knobs on so far as to create a noticeable space between them and the outer knobs.

Initial Antenna Connections

- Step 1. Prepare the lead-in wire from the antenna by cutting it to the proper length and installing appropriate-sized terminal lugs to the inner conductor and the shield.
- Step 2. Connect the inner conductor to the "DIST" antenna screw terminal and the shield to the "GND" screw terminal.

Audio Output Connections

- Step 1. Use a single-conductor shielded cable of suitable length to connect the "AUDIO" jack on the back of the chassis to the "Auxiliary" or "Tuner" input of the sound or communications system. One end of the cable should terminate in a male RCA-type phono plug; the other end should have a connector suitable for the input of the sound or communications system.
- Step 2. Plug the RCA-type phono plug into the "AUDIO" jack of the SRX173, and the other end of the cable into the "Auxiliary" or "Tuner" input of the sound or communications system.

Power Connections

Insert the DC power plug of the power supply into the "PWR SPLY" jack on the back of the SRX173, then plug the power supply itself into a suitable 120-VAC outlet.

Setting the Controls

The following settings can be tried initially. Make adjustments as needed to obtain the best performance.

Volume: Between the "11 o'clock" and "12 o'clock" positions.

Tone: In the horizontal, or "3 o'clock," position.

Balance: In the horizontal, or "9 o'clock," position. (The SRX173's monaural output is a blend of the two stereo channels; hence, turning the "Balance" control off-center will result in an incorrect "blend.")

DX/LOC: In the "DX," or "Distance," position. (Since this does not affect AM signals, you will have to change the inner conductor of the antenna lead-in wire from the "Distance" to the "Local" terminal if you find that some AM signals are so strong that they are causing distorted sound or are received at several places on the dial.)

Antenna Adjustments

Step 1. Tune in a weak AM station around 1400 KHz. Then adjust the antenna trimmer for the loudest output. (The trimmer is in the rear of the tape compartment, on the right side. You will need a long, thin-bladed screwdriver. The trimmer's range of adjustment is one complete turn; continuing to turn the trimmer in either direction will merely take you through the same range again.)

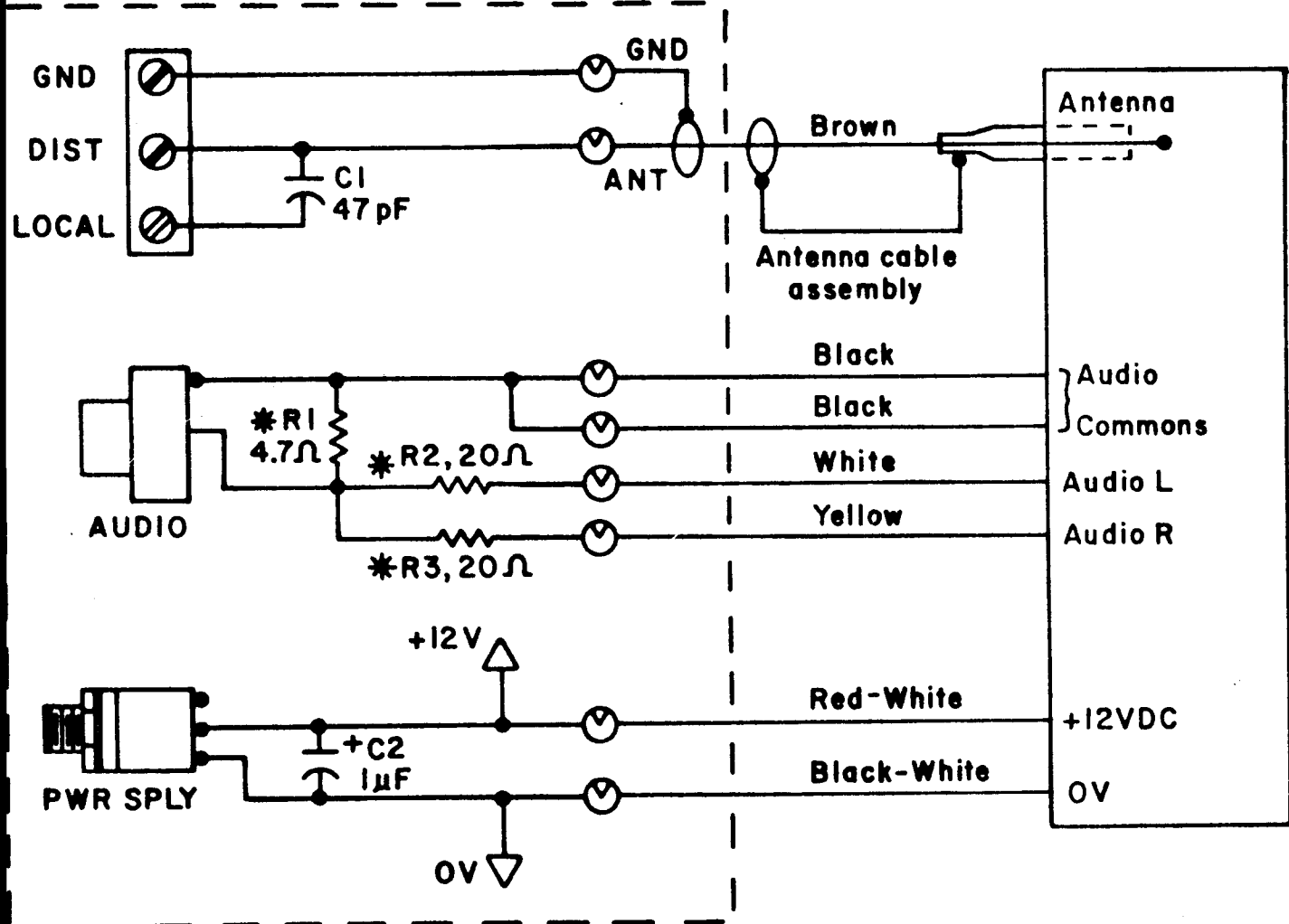
Step 2. If AM station overload is a problem, transfer the inner conductor lead from the "DIST" to the "LOCAL" antenna terminal on the back of the chassis (see "Setting the Controls").

OPERATING INSTRUCTIONS

Refer to the separately supplied vendor's instructions for the tuner and cassette-player's operation and care.

7192 PRINTED CIRCUIT BOARD ASSEMBLY

VPO033 AM-FM TUNER & CASSETTE TAPE PLAYER

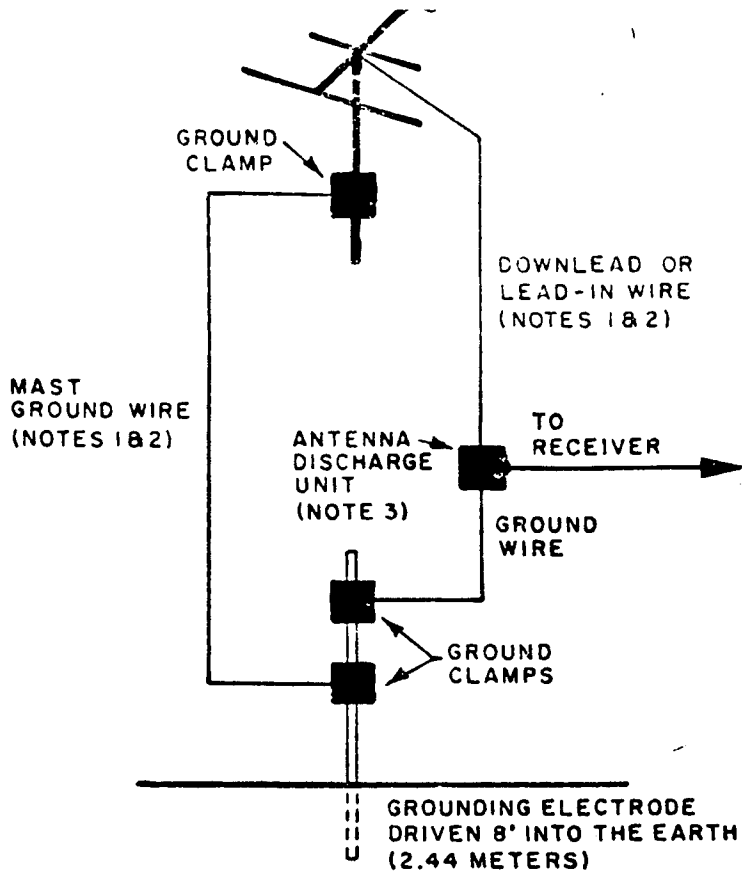


* All resistors are 1/2 W, 5%.

⊙ = Amp-barrel terminals

(AC, 60 Hz outlet)

SRX173
 AM-FM TUNER & CASSETTE
 TAPE PLAYER
 KM0688 A

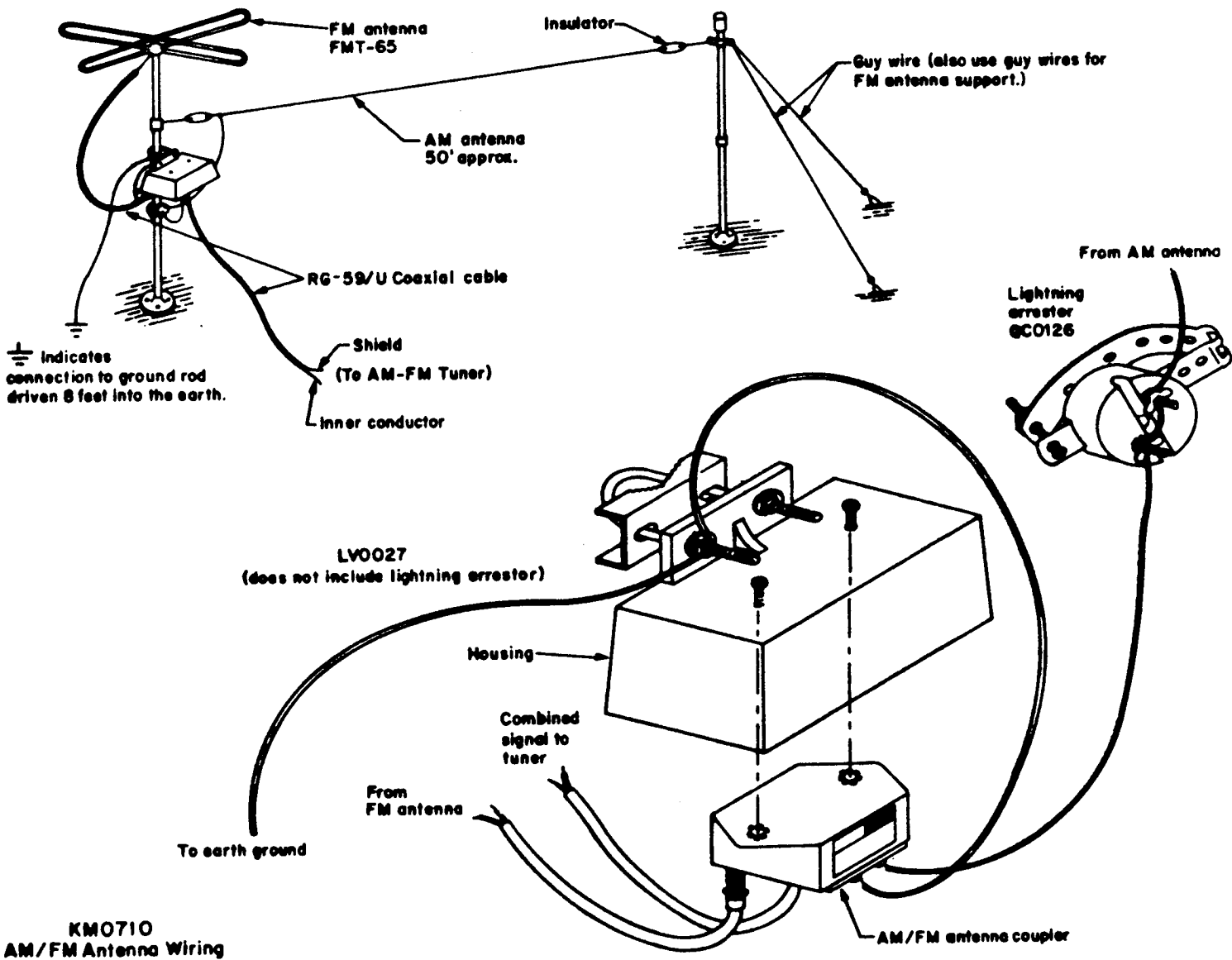


NOTES:

1. USE NO. 10 AWG COPPER, NO. 8 AWG ALUMINUM, OR NO. 17 AWG COPPER-CLAD STEEL OR BRONZE WIRE (OR LARGER) AS GROUND WIRE FOR BOTH MAST AND LEAD-IN.
2. SECURE THE LEAD-IN WIRE FROM THE ANTENNA TO THE ANTENNA DISCHARGE UNIT AND SECURE THE MAST GROUND WIRE TO BUILDING STRUCTURE WITH STAND-OFF INSULATORS SPACED FROM 4 TO 6 FEET APART.
3. MOUNT THE ANTENNA DISCHARGE UNIT AS CLOSELY AS POSSIBLE TO WHERE THE LEAD-IN ENTERS THE BUILDING STRUCTURE.

FIGURE 1. EXAMPLE OF ANTENNA GROUNDING PER NATIONAL ELECTRICAL CODE INSTRUCTIONS.

IL 0153 -



**KM0710
AM/FM Antenna Wiring**

**SRX173
AM/FM ANTENNA WIRING**

OUTDOOR ANTENNAS

IL-0153, on page 8, suggests a grounding system for an AM/FM antenna system; KM-0710, on page 9, illustrates a way of mounting the AM and FM antennas.

The following Rauland-Borg parts are used in the suggested system:

(1) FMT-65 FM Antenna

(2) LM0027 AM/FM Antenna Coupler. The package includes these parts:

- The coupler itself.
- An outdoor housing.
- Two screws for mounting the coupler inside the housing.
- A "U" bolt and related hardware for mounting the housing to the mast.
- Two "F" connectors for plugging the coaxial cables into the coupler.

(3) QC0126 Lightning Arrestor. This includes the hardware needed to